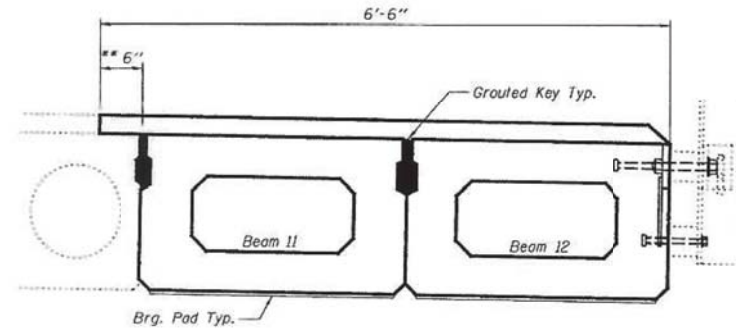
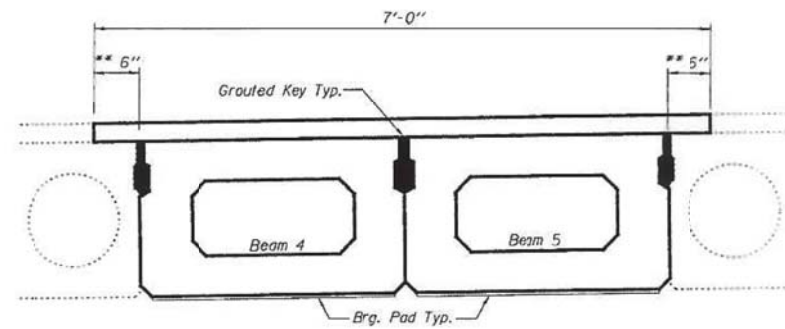
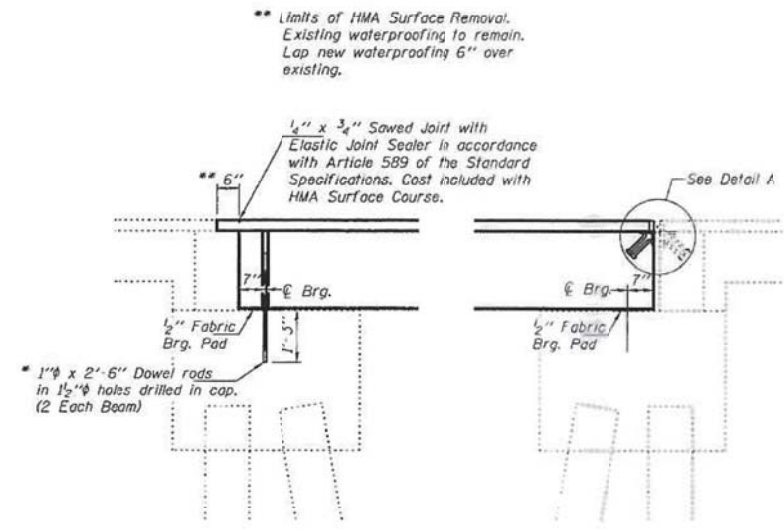


STATE OF ILLINOIS  
DEPARTMENT OF TRANSPORTATION

ROUTE NO.	SECTION	COUNTY	SHEET	SHEET NO.
FAP 681	(13BR1)	LIVINGSTON	15	14
SHEETS 5 SHEETS				
Contract Number: 66821				



PARTIAL DECK CROSS SECTION



TYPICAL SECTION AT W. ABUTMENT

TYPICAL SECTION AT E. ABUTMENT

\*\* Limits of HMA Surface Removal. Existing waterproofing to remain. Lap new waterproofing 6" over existing.

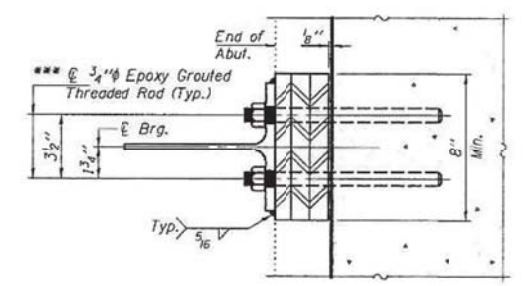
1/4" x 3/4" Sawed Joint with Elastic Joint Sealer in accordance with Article 589 of the Standard Specifications. Cost included with HMA Surface Course.

1/2" Fabric Brg. Pad

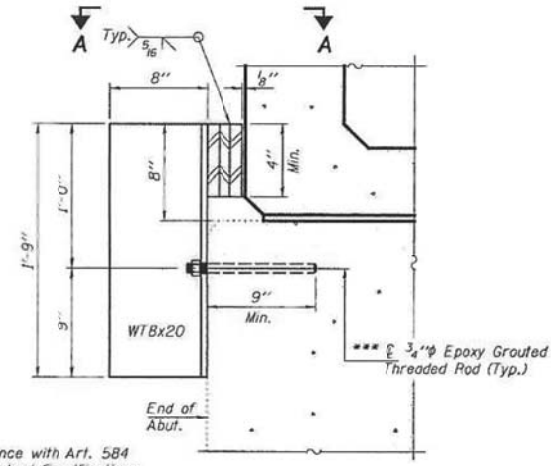
\* 1/2" x 2'-6" Dowel rods in 1 1/2" holes drilled in cap. (2 Each Beam)

\* Existing dowel rods are to be burned off, ground flush, and sealed with epoxy prior to placement of new beams. Cost included in Removal of Existing PPC Deck Beams. After beams have been erected holes shall be drilled into cap and dowel rods placed. Dowel holes shall be filled with non-shrink grout to top of beam and allowed to cure a minimum of 24 hours prior to grouting the shear keys.

Existing railing to be removed, stored, and reinstalled.

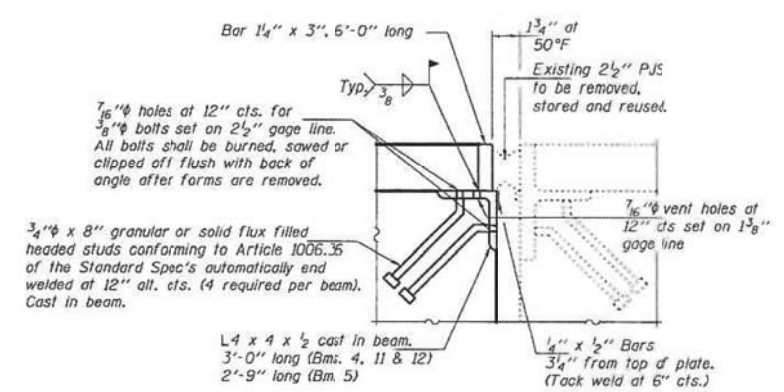


SECTION A-A



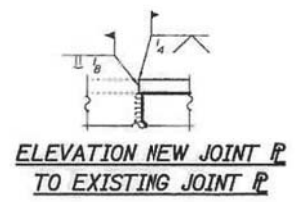
RETAINER AT BEAM 12, @ BRG E. ABUT.  
(Outside face only)  
(Cost included with PPC Deck Beams)

\*\*\* In accordance with Art. 584 of the Standard Specifications.



DETAIL A

REPAIR DETAILS  
FAP 681  
LIVINGSTON COUNTY  
SN 053-0159



ELEVATION NEW JOINT P TO EXISTING JOINT P

DESIGNED	ATH
CHECKED	AJB
DRAWN	baliva
CHECKED	ATH AJB

MAY 12, 2008  
EXAMINED  
PASSED  
ENGINEER OF STRUCTURES SERVICES  
Ralph E. Anderson  
ENGINEER OF BRIDGES AND STRUCTURES