

WEST CURB LINE

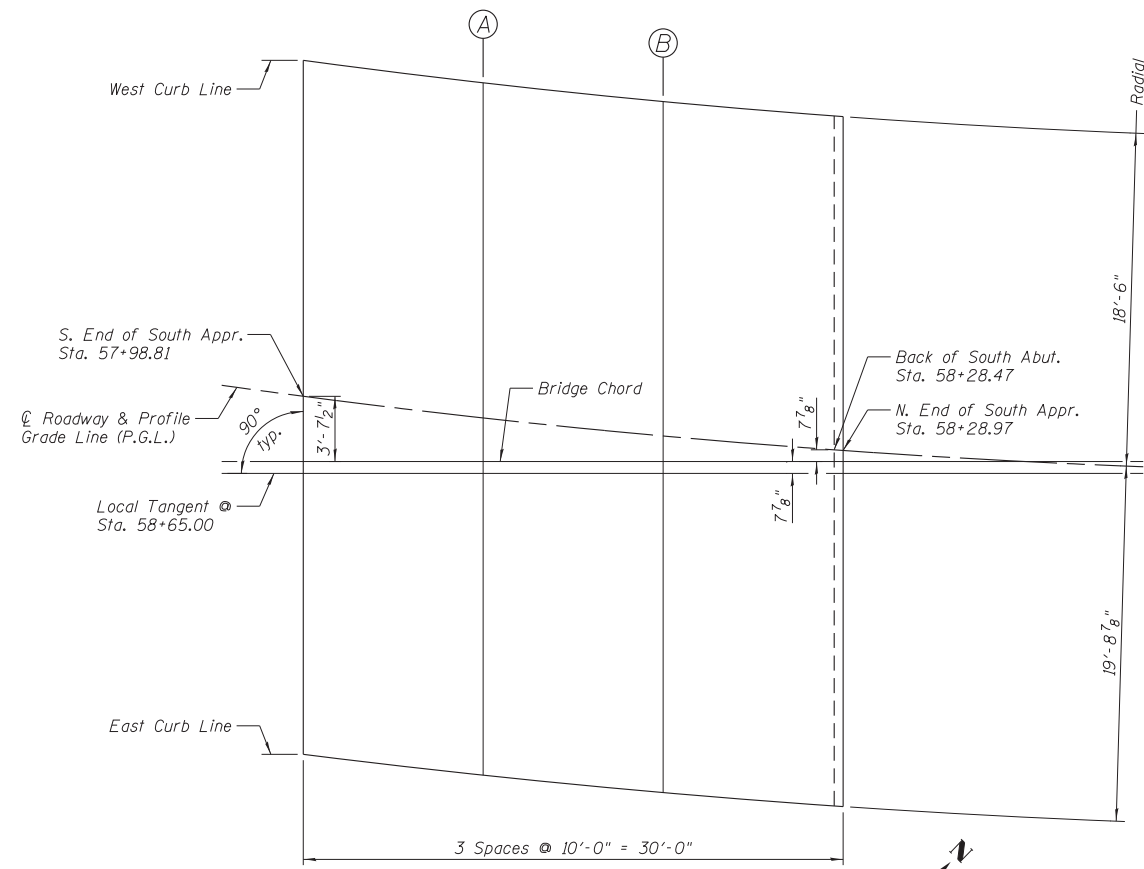
Location	Station	Offset	Theoretical Grade Elevations
S. End of South Appr.	57+96.31	-18.50	649.03
A	58+06.77	-18.50	649.05
B	58+17.20	-18.50	649.08
Back of South Abut.	58+27.09	-18.50	649.10
N. End of South Appr.	58+27.61	-18.50	649.10

☉ ROADWAY & PROFILE GRADE LINE (P.G.L.)

Location	Station	Offset	Theoretical Grade Elevations
S. End of South Appr.	57+98.81	0.00	650.15
A	58+08.89	0.00	650.17
B	58+18.94	0.00	650.19
Back of South Abut.	58+28.47	0.00	650.21
N. End of South Appr.	58+28.97	0.00	650.21

EAST CURB LINE

Location	Station	Offset	Theoretical Grade Elevations
S. End of South Appr.	58+01.29	19.74	651.34
A	58+10.98	19.74	651.36
B	58+20.66	19.74	651.38
Back of South Abut.	58+29.83	19.74	651.39
N. End of South Appr.	58+30.31	19.74	651.39



SOUTH APPROACH SLAB PLAN

WEST CURB LINE

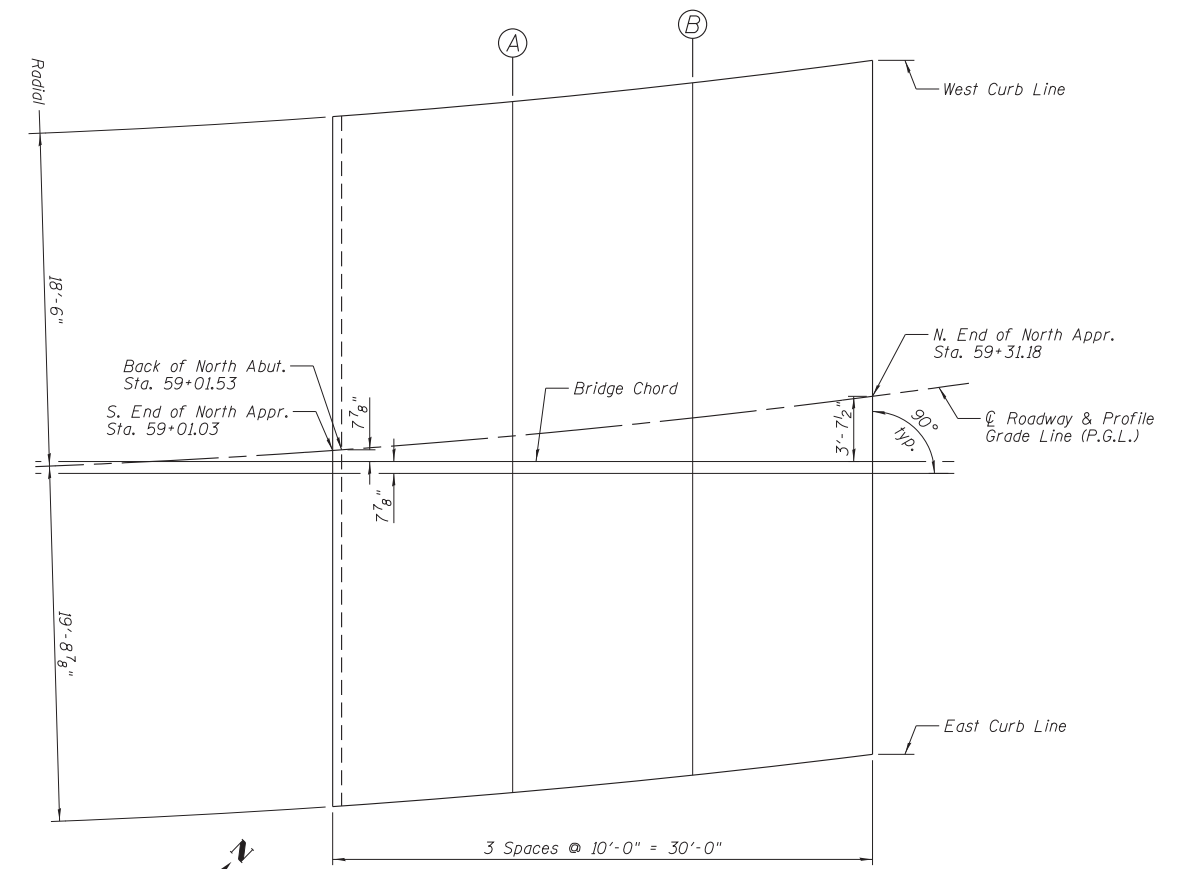
Location	Station	Offset	Theoretical Grade Elevations
S. End of North Appr.	59+02.39	-18.50	649.10
Back of North Abut.	59+02.91	-18.50	649.10
A	59+12.80	-18.50	649.08
B	59+23.23	-18.50	649.06
N. End of North Appr.	59+33.69	-18.50	649.04

☉ ROADWAY & PROFILE GRADE LINE (P.G.L.)

Location	Station	Offset	Theoretical Grade Elevations
S. End of North Appr.	59+01.03	0.00	650.21
Back of North Abut.	59+01.53	0.00	650.21
A	59+11.06	0.00	650.19
B	59+21.11	0.00	650.17
N. End of North Appr.	59+31.18	0.00	650.15

EAST CURB LINE

Location	Station	Offset	Theoretical Grade Elevations
S. End of North Appr.	58+99.69	19.74	651.39
Back of North Abut.	59+00.17	19.74	651.39
A	59+09.34	19.74	651.38
B	59+19.02	19.74	651.36
N. End of North Appr.	59+28.71	19.74	651.34



NORTH APPROACH SLAB PLAN