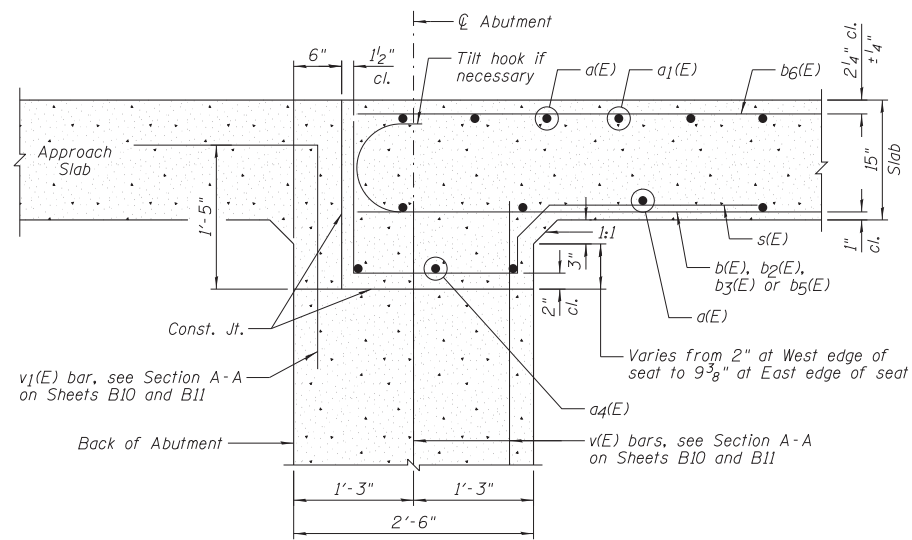


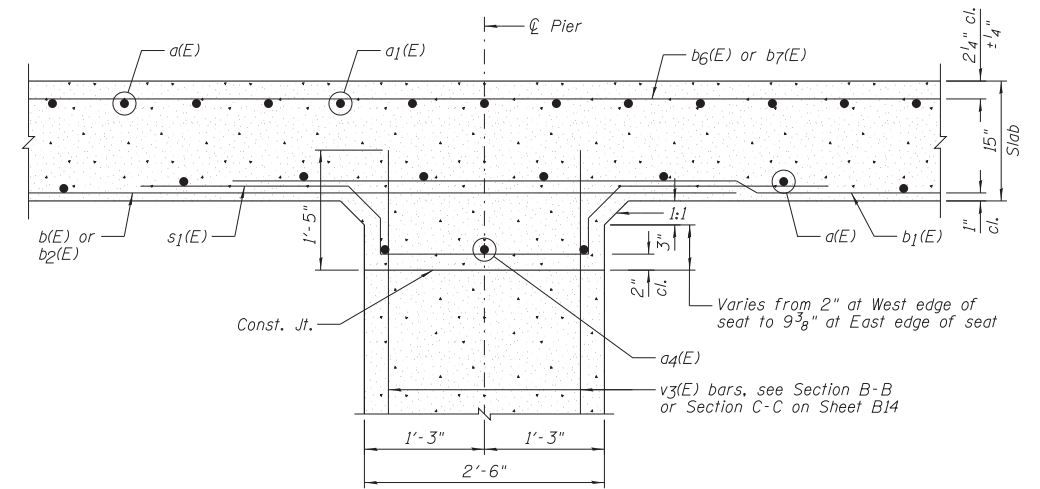
SECTION NEAR SUPPORT

CROSS SECTION  
(Looking North @  $\varnothing$  Bridge)

SECTION NEAR MIDSPAN



SECTION A-A



SECTION B-B

NOTES:

- 1.) For Section thru Parapet, See Sheet B7.
- 2.) For locations of Sections A-A and B-B, see Sheet B5.

DESIGNED - TCR	REVISED
CHECKED - JML	REVISED
DRAWN - JWK	REVISED
CHECKED - MSW	REVISED
DATE - 11/27/12	

F.A.P. RTE.	SECTION	COUNTY	TOTAL SHEETS	SHEET NO.
681	(113 BR)BR & (113 BR-1)BR	LIVINGSTON	123	94
			CONTRACT NO. 66832	
ILLINOIS FED. AID PROJECT				