



BEGIN CROSS-OVER  
STA. 827+65.00

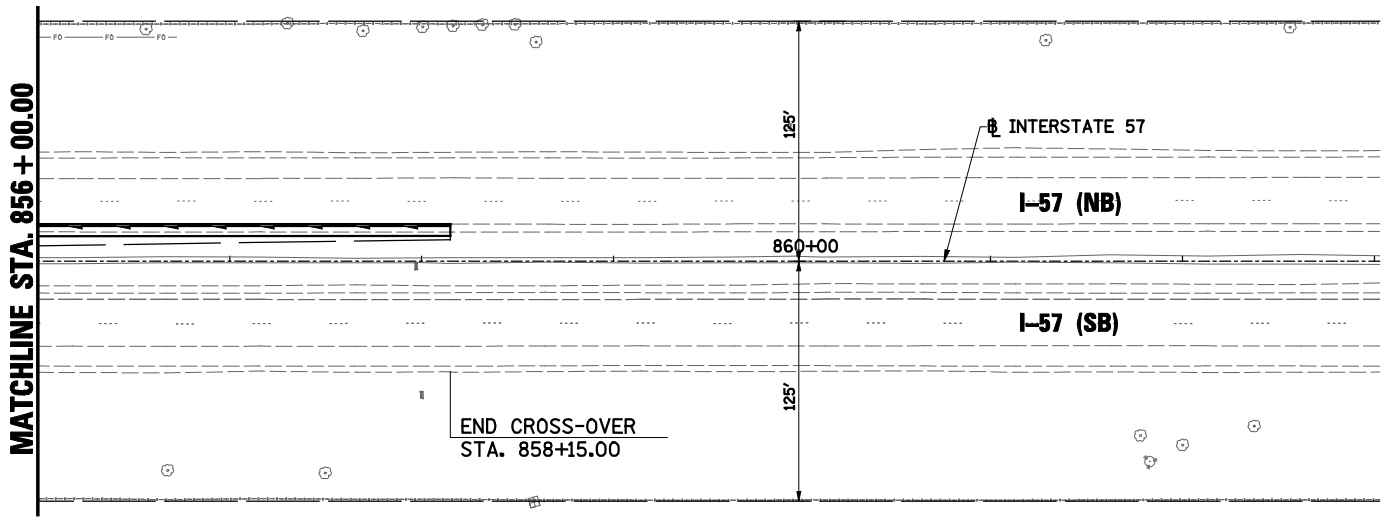
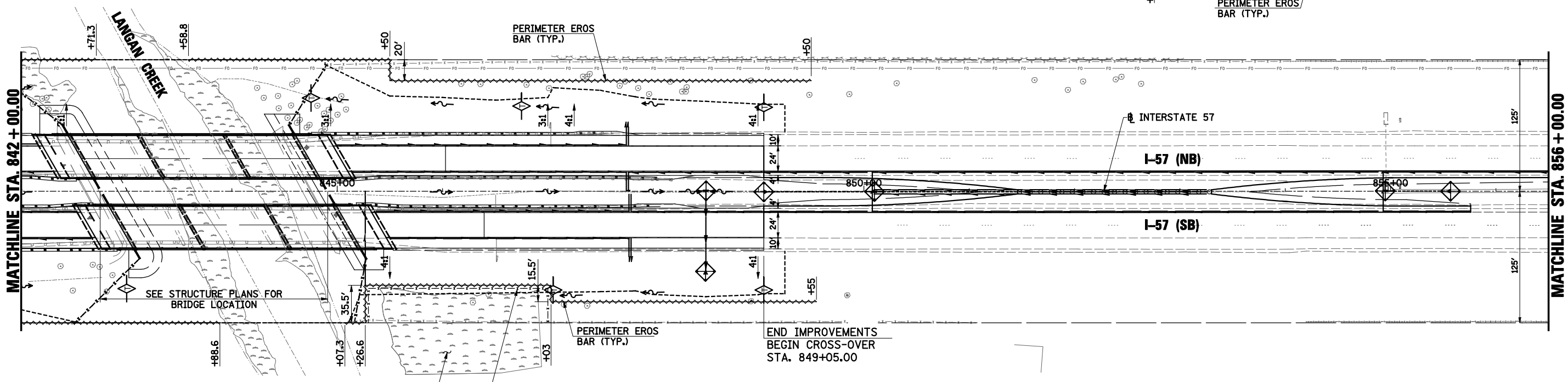
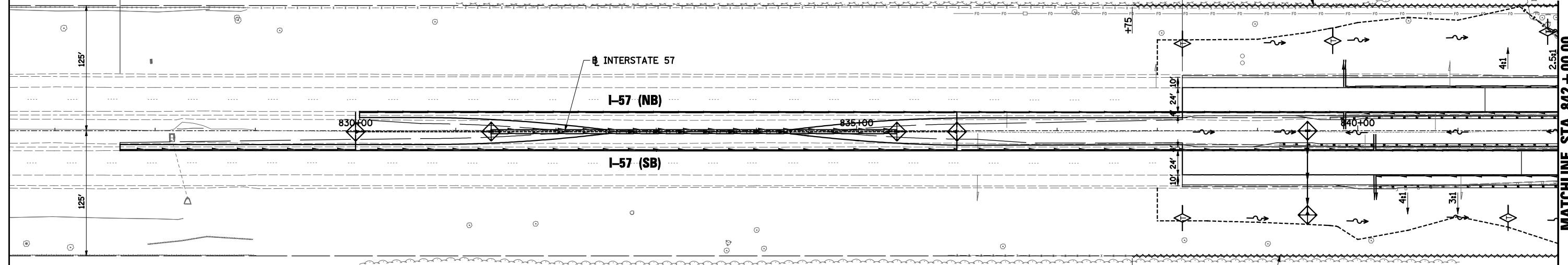
BEGIN IMPROVEMENTS  
END CROSS-OVER  
STA. 838+25.00

PERIMETER EROS  
BAR (TYP.)

MATCHLINE STA. 842 + 00.00

|      |           |    |      |
|------|-----------|----|------|
| PLAN | SURVEYED  | BY | DATE |
|      | PLOTTED   |    |      |
|      | CHECKED   |    |      |
|      | AT        |    |      |
|      | NO. _____ |    |      |

|         |           |    |      |
|---------|-----------|----|------|
| PROFILE | SURVEYED  | BY | DATE |
|         | PLOTTED   |    |      |
|         | CHECKED   |    |      |
|         | AT        |    |      |
|         | NO. _____ |    |      |



| INLET PROTECTION | DITCH CHECKS    |
|------------------|-----------------|
| 830+00, 1' R     | 838+25, 87' L   |
| 836+00, 1' R     | 838+25, 87' R   |
| 839+50, 1' R     | 839+75, 90' L   |
| 839+50, 84' R    | 841+50, 87' R   |
| 848+50, 0' R     | 841+90, 99' L   |
| 848+50, 76' L    | 843+00, 92.5' R |
| 849+05, 0' R     | 844+75, 88.7' L |
| 855+57, 0' R     | 846+75, 81' L   |
|                  | 847+05, 94' R   |
|                  | 849+05, 80' L   |
|                  | 849+05, 94' R   |

| ROW LEGEND |                     |
|------------|---------------------|
| ---        | EXISTING ROW        |
| ---        | CONSTRUCTION LIMITS |

FILE NAME = D366944\_sht\_ero\_01.dgn



|                           |                 |         |
|---------------------------|-----------------|---------|
| USER NAME = bhenrichs     | DESIGNED BAH    | REVISED |
|                           | DRAWN BAH       | REVISED |
| PLOT SCALE = 50.00' / IN. | CHECKED KAC     | REVISED |
| PLOT DATE = 12/7/2012     | DATE 12/07/2012 | REVISED |

STATE OF ILLINOIS  
DEPARTMENT OF TRANSPORTATION

INTERSTATE 57 OVER LANGAN CREEK  
EROSION CONTROL PLAN

SCALE: SHEET OF SHEETS STA. TO STA.

|             |                          |          |              |                    |
|-------------|--------------------------|----------|--------------|--------------------|
| F.A.I. RTE. | SECTION                  | COUNTY   | TOTAL SHEETS | SHEET NO.          |
| 57          | 141 BR(SB) & 38-1 BR(NB) | IROQUOIS | 138          | 30                 |
|             |                          |          |              | CONTRACT NO. 66944 |

ILLINOIS FED. AID PROJECT