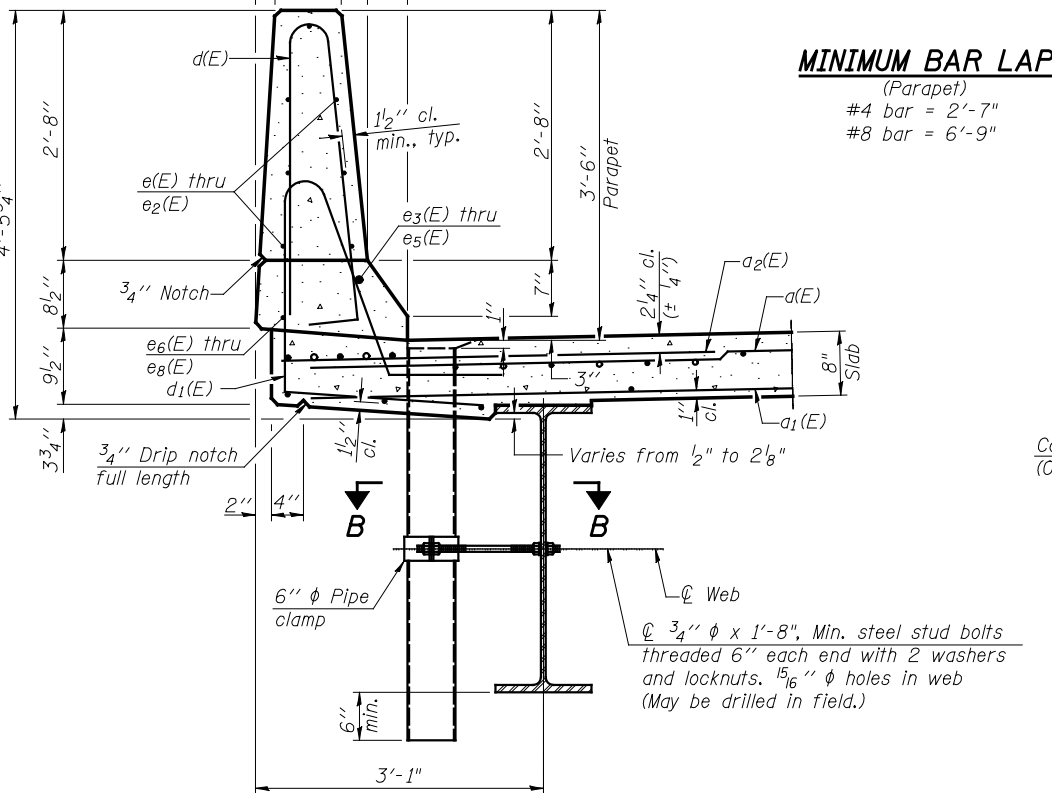
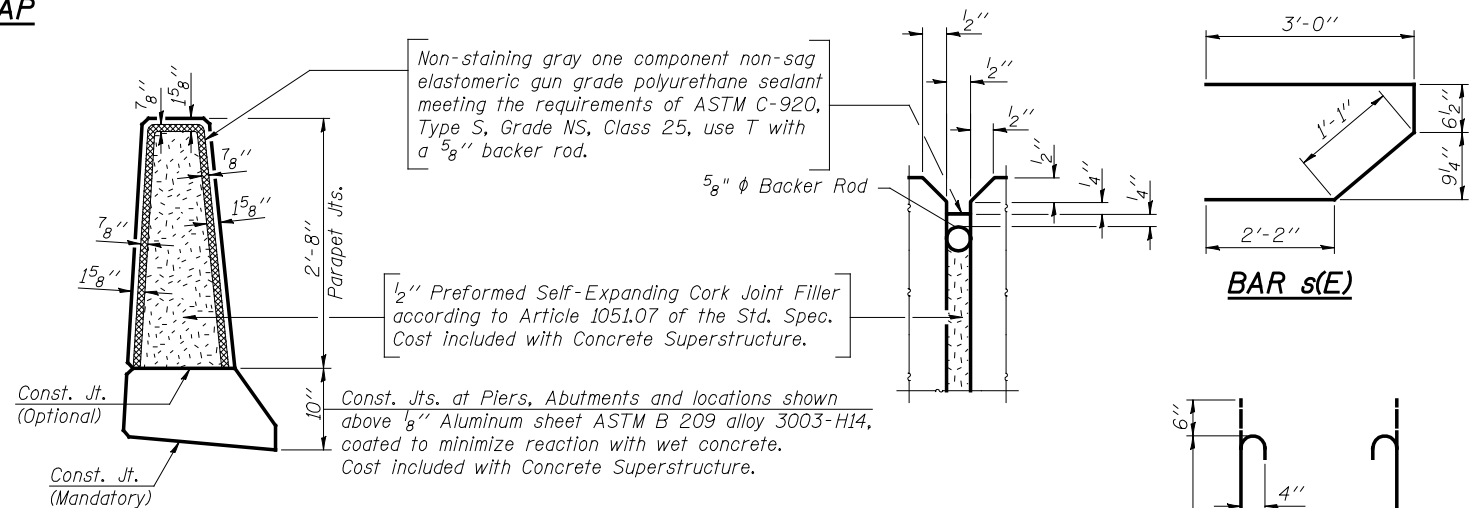


INSIDE ELEVATION OF PARAPET



SECTION THRU PARAPET

MINIMUM BAR LAP
(Parapet)
#4 bar = 2'-7"
#8 bar = 6'-9"



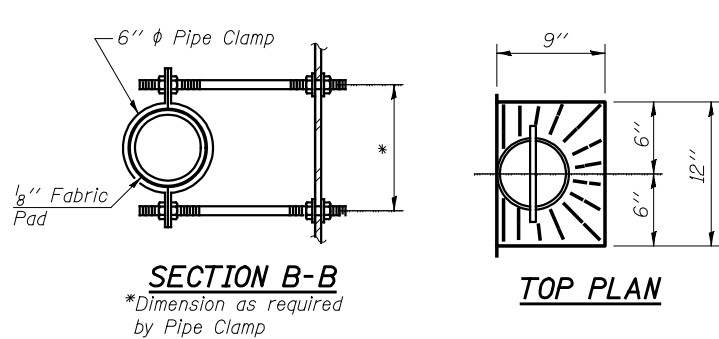
PARAPET JOINT DETAILS

Notes:
Floor drains need not be painted.
Drains shall be located clear of all diaphragms.
Fiberglass pipe shall conform to ASTM D 2996, with short-time rupture strength hoop tensile stress of 30,000 p.s.i. minimum.
Galvanize clamping device according to AASHTO M232. Cost of clamping device and inserts is included with Floor Drains.

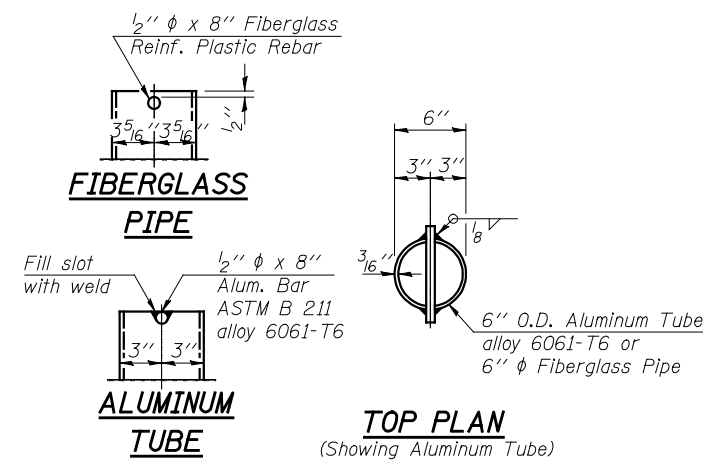
SUPERSTRUCTURE BILL OF MATERIAL (TWO STRUCTURES)

Bar	No.	Size	Length	Shape
a(E)	864	#5	42'-6"	—
a1(E)	520	#5	41'-0"	—
a2(E)	1728	#6	6'-6"	—
b(E)	736	#5	30'-0"	—
b1(E)	172	#6	44'-0"	—
b2(E)	648	#5	27'-0"	—
d(E)	948	#5	6'-10"	⌒
d1(E)	948	#5	7'-10"	⌒
e(E)	168	#4	18'-9"	—
e1(E)	128	#4	9'-8"	—
e2(E)	112	#4	15'-0"	—
e3(E)	16	#8	31'-11"	—
e4(E)	16	#8	9'-8"	—
e5(E)	8	#8	34'-0"	—
e6(E)	16	#4	29'-10"	—
e7(E)	8	#4	31'-11"	—
m(E)	40	#6	26'-8"	—
m1(E)	56	#6	10'-5"	—
m2(E)	24	#6	5'-10"	—
m3(E)	8	#6	2'-9"	—
s(E)	168	#5	6'-10"	⌒
s1(E)	144	#4	10'-6"	⌒
v(E)	204	#5	3'-10"	⌒
Floor Drains	Each		52	
Concrete Superstructure	Cu. Yd.		685.3	
Bridge Deck Gooving	Sq. Yd.		1,824	
Protective Coat	Sq. Yd.		2,335	
Reinforcement Bars, Epoxy Coated	Pound		157,340	

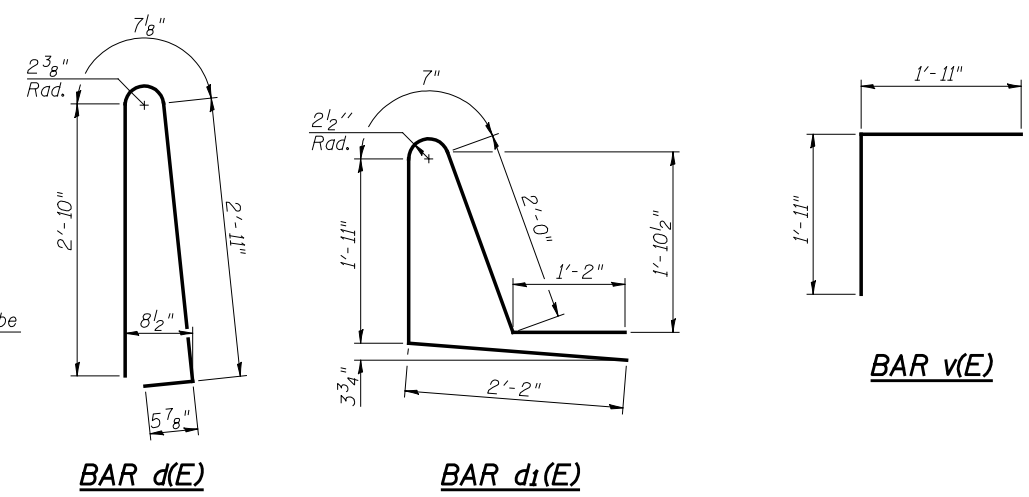
Bars indicated thus 1 x 2-#5 etc. indicates 1 line of bars with 2 lengths per line.



SECTION B-B
*Dimension as required by Pipe Clamp



FIBERGLASS PIPE
ALUMINUM TUBE
TOP PLAN (Showing Aluminum Tube)



BAR d(E) **BAR d1(E)** **BAR v(E)**

1/28/2013 4:46:02 PM 0380215.66944.016_SUP_02.dgn



DESIGNED	TAY	REVISED	
CHECKED	MWS	REVISED	
DRAWN	MWS	REVISED	
CHECKED	BJM	REVISED	

PLOT DATE = 1/28/2013

STATE OF ILLINOIS
DEPARTMENT OF TRANSPORTATION

SUPERSTRUCTURE DETAILS
STRUCTURE NO. 038-0215 (S.B.) & 038-0216 (N.B.)

SHEET NO. 16 OF 38 SHEETS

F.A.I. RTE.	SECTION	COUNTY	TOTAL SHEETS	SHEET NO.
57	141 BR(SB) & 38-1 BR(NB)	IROQUOIS	138	54
CONTRACT NO. 66944				
ILLINOIS FED. AID PROJECT				