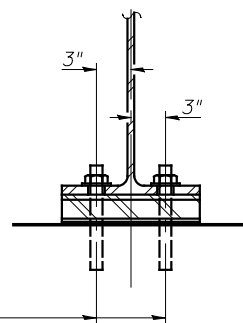


ELEVATION AT ABUTMENT

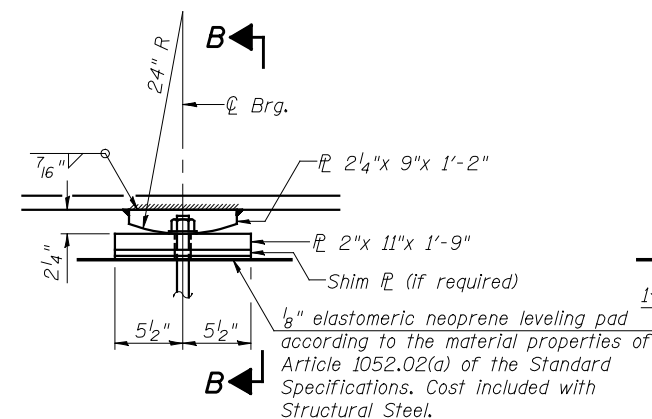
FIXED BEARING AT ABUTMENTS



SECTION A-A

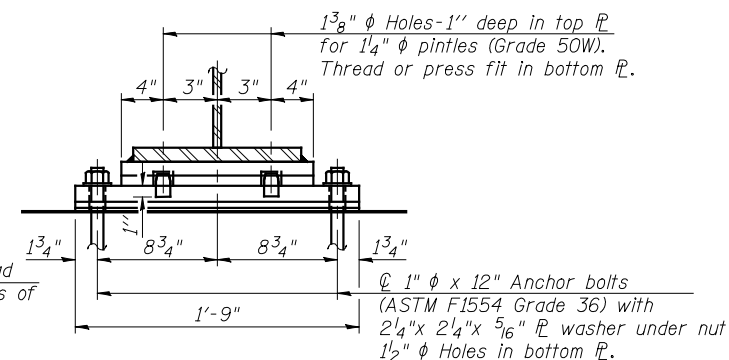
1/8" elastomeric neoprene leveling pad according to the material properties of Article 1052.02(a) of the Standard Specifications. Cost included with Structural Steel.

1" ϕ x 12" anchor bolts (ASTM F1554 Grade 36) with 2 1/4" x 2 1/4" x 5/16" PL washer under nut. 1 3/8" x 2" slotted hole in flange. 1 1/2" ϕ holes in bearing plate.

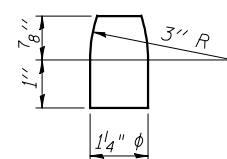


ELEVATION AT PIER

FIXED BEARING AT PIERS



SECTION B-B



PINTLE

Notes:
 Anchor bolts shall be ASTM F1554 all-thread (or an Engineer-approved alternate material) of the grade(s) and diameter(s) specified. The corresponding specified grade of AASHTO M314 anchor bolts may be used in lieu of ASTM F1554.
 Anchor bolts at fixed bearings may be either cast in place or installed in holes drilled after the supported member is in place.
 Drilled and set anchor bolts shall be installed according to Article 521.06 of the Standard Specifications.
 The structural steel bearing plates and pintles shall conform to the requirements of AASHTO M 270 Grade 50W.
 Two 1/8 in. adjusting shims shall be provided for each bearing in addition to all other plates or shims and placed as shown on bearing details.

SHIM PLATE TABLE

NORTHBOUND STRUCTURE SN 038-0216		
Location	Beam 4	Beam 5
N. Abut.	3/8"	-
Pier 1	-	1 3/16"
Pier 2	-	1 3/8"
S. Abut.	-	1 7/16"

SOUTHBOUND STRUCTURE SN 038-0215		
Location	Beam 10	Beam 11
N. Abut.	1 3/16"	-
Pier 1	-	3/8"
Pier 2	-	1/4"
S. Abut.	-	1/8"

BILL OF MATERIAL

Item	Unit	Total
Anchor Bolts, 1"	Each	112

1/28/2013 4:46:09 PM 0380215_66944_022_BRGDET_01.dgn



DESIGNED	MAS	REVISED	
CHECKED	BJM	REVISED	
DRAWN	MWS	REVISED	
CHECKED	BJM	REVISED	

**STATE OF ILLINOIS
DEPARTMENT OF TRANSPORTATION**

**BEARING DETAILS
STRUCTURE NO. 038-0215 (S.B.) & 038-0216 (N.B.)**

SHEET NO. 22 OF 38 SHEETS

F.A.I. RTE.	SECTION	COUNTY	TOTAL SHEETS	SHEET NO.
57	141 BR(SB) & 38-1 BR(NB)	IROQUOIS	138	60
CONTRACT NO. 66944				
ILLINOIS FED. AID PROJECT				