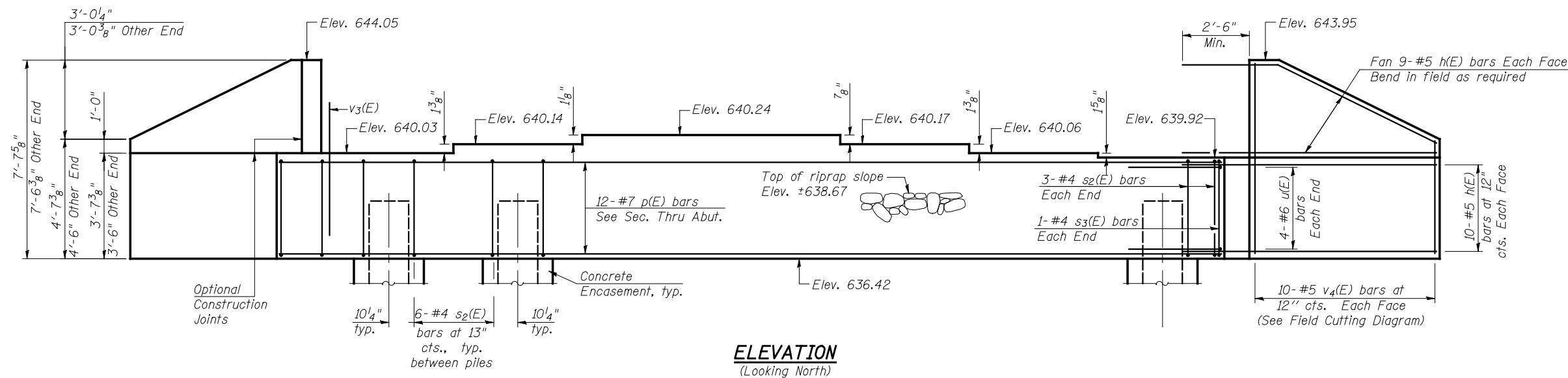
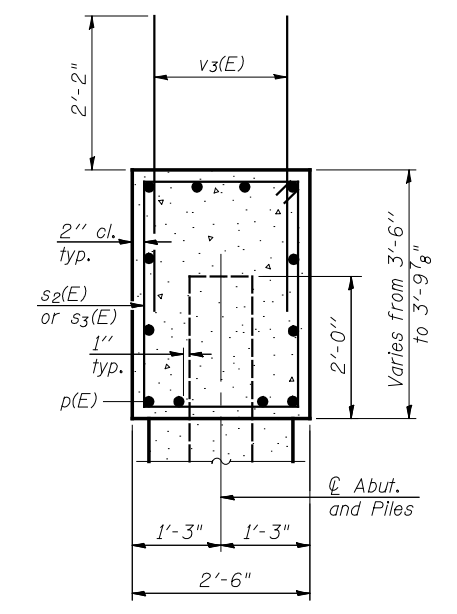


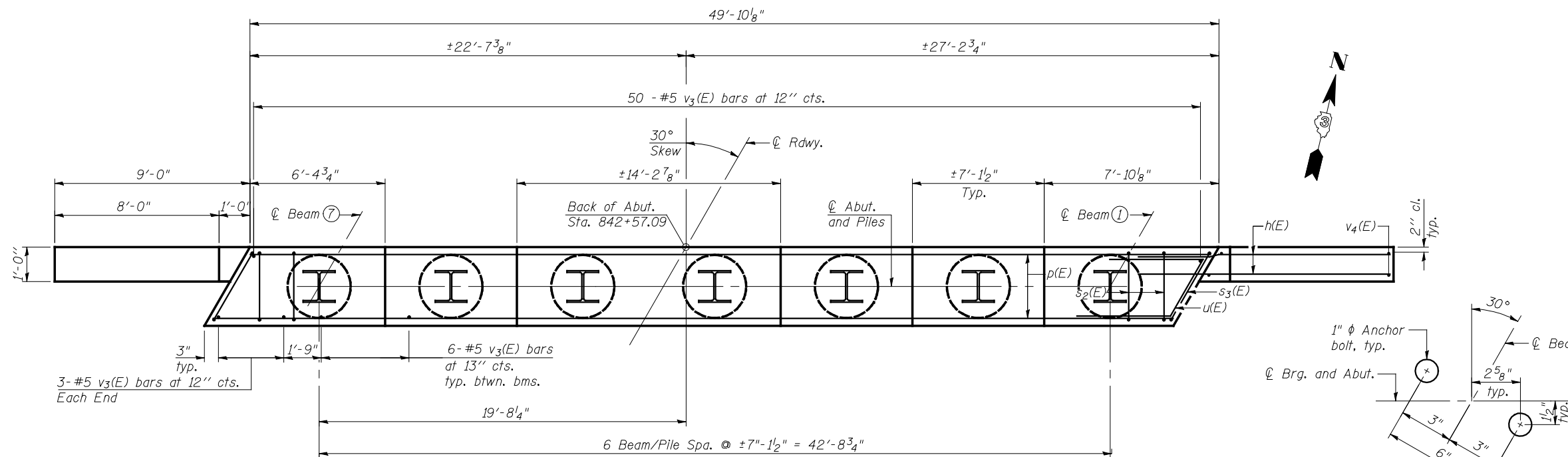
Notes:
 Four steps monolithically with cap.
 Space reinforcement in cap to miss anchor bolts.



ELEVATION
 (Looking North)



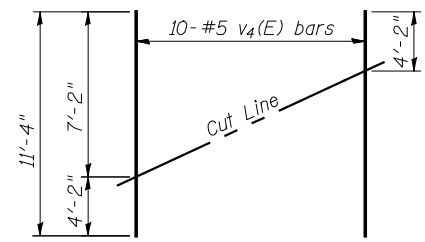
SEC. THRU ABUT.



PLAN

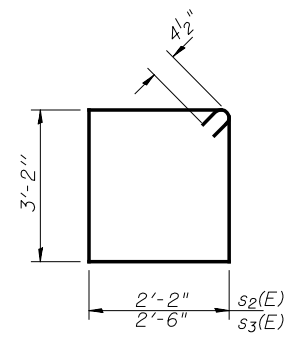
PILE DATA

Type: HP 12x74
 Nominal Required Bearing: 335 k
 Factored Resistance Available: 184 k
 Est. Length: 55 ft
 No. Production Piles: 6
 No. Test Piles: 1

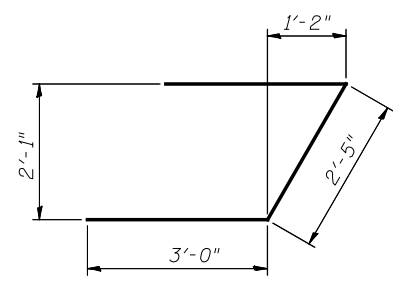


FIELD CUTTING DIAGRAM

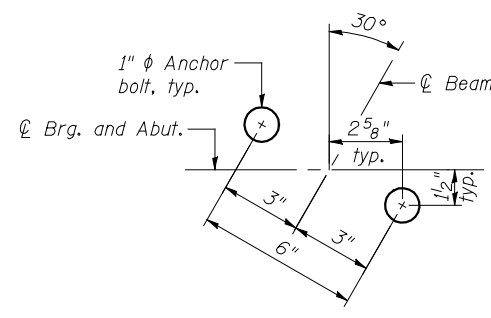
Order v4(E) full length. Cut as shown and use remainder of bars in opposite face.



BARS s2(E) & s3(E)



BAR u(E)



ANCHOR BOLT LOCATION DETAIL

BILL OF MATERIAL

Bar No.	Size	Length	Shape
h(E)	#5	12'-6"	—
p(E)	#7	49'-6"	—
s2(E)	#4	11'-5"	□
s3(E)	#4	12'-1"	□
u(E)	#6	8'-5"	└
v3(E)	#5	4'-4"	—
v4(E)	#5	11'-4"	—
Granular Backfill for Structures		Cu. Yd.	70.0
Concrete Structures		Cu. Yd.	21.3
Reinforcement Bars, Epoxy Coated		Pound	3,530
Furnishing Steel Piles HP12x74		Foot	330
Driving Piles		Foot	330
Test Pile Steel HP12x74		Each	1
Concrete Encasement		Cu. Yd.	2.4

For details of piles and Concrete Encasement, see sheet 31 of 38.

1/28/2013 4:46:10 PM 038021E_66944_023_ABUT_01.dgn



DESIGNED	MAS	REVISED
CHECKED	MWS	REVISED
DRAWN	MWS	REVISED
CHECKED	BJM	REVISED

STATE OF ILLINOIS
DEPARTMENT OF TRANSPORTATION

NORTH ABUTMENT
STRUCTURE NO. 038-0216 (N.B.)

SHEET NO. 23 OF 38 SHEETS

F.A.I. RTE.	SECTION	COUNTY	TOTAL SHEETS	SHEET NO.
57	141 BR(SB) & 38-1 BR(NB)	IROQUOIS	138	61
CONTRACT NO. 66944				
ILLINOIS FED. AID PROJECT				