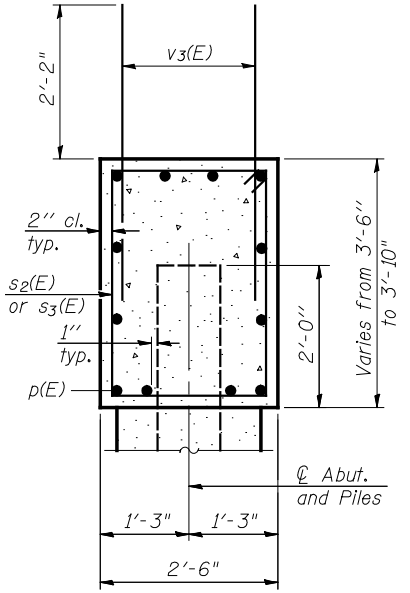
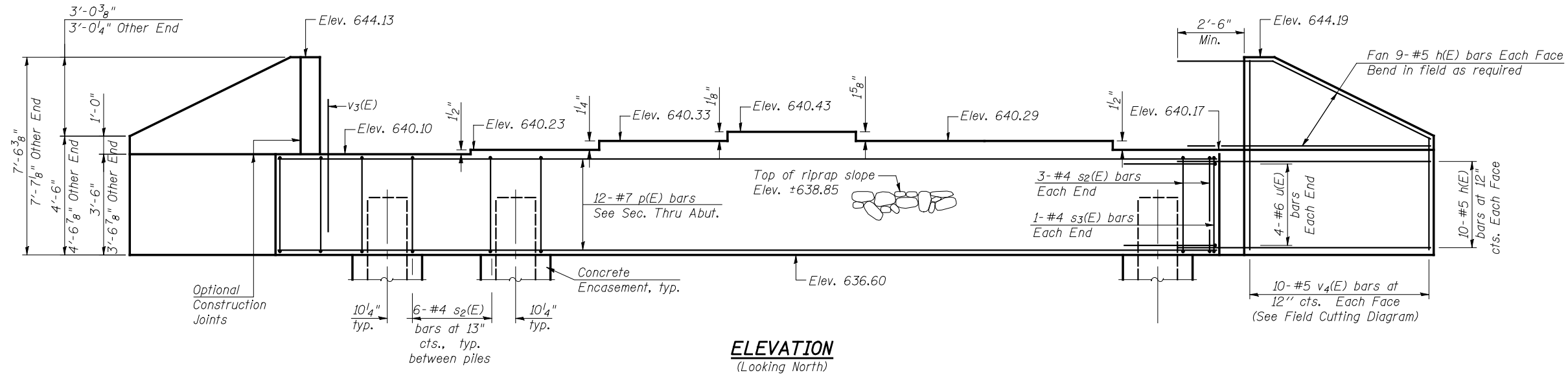
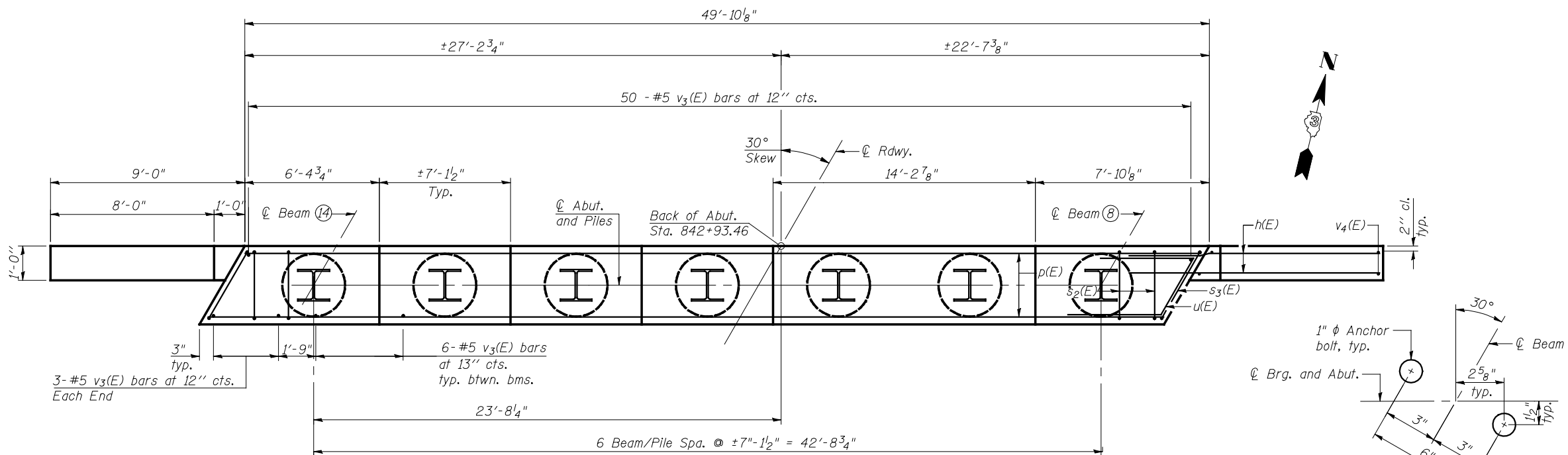


Notes:
 Pour steps monolithically with cap.
 Space reinforcement in cap to miss anchor bolts.



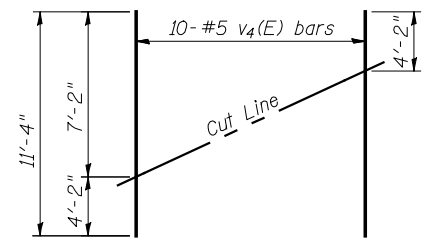
SEC. THRU ABUT.



PLAN

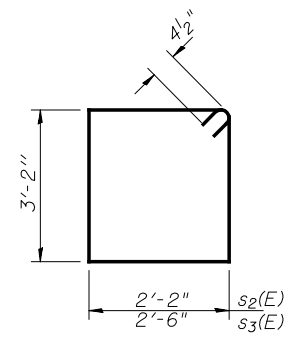
PILE DATA

Type: HP 12x74
 Nominal Required Bearing: 335 k
 Factored Resistance Available: 184 k
 Est. Length: 47 ft
 No. Production Piles: 6
 No. Test Piles: 1

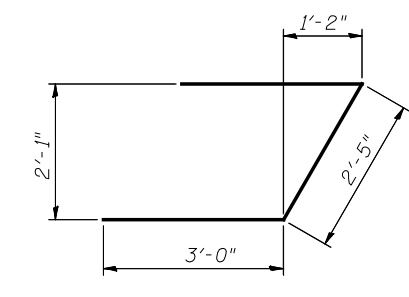


FIELD CUTTING DIAGRAM

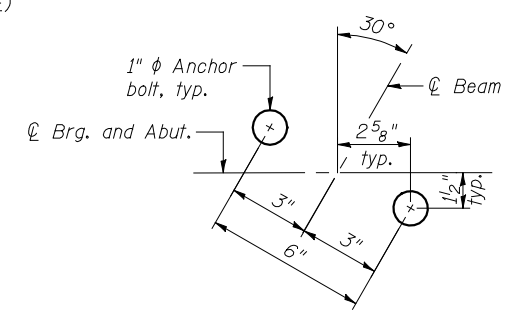
Order v4(E) full length. Cut as shown and use remainder of bars in opposite face.



BARS s2(E) & s3(E)



BAR u(E)



ANCHOR BOLT LOCATION DETAIL

BILL OF MATERIAL

Bar	No.	Size	Length	Shape
h(E)	76	#5	12'-6"	—
p(E)	12	#7	49'-6"	—
s2(E)	42	#4	11'-5"	□
s3(E)	2	#4	12'-1"	□
u(E)	8	#6	8'-5"	└
v3(E)	92	#5	4'-4"	—
v4(E)	40	#5	11'-4"	—
Granular Backfill for Structures			Cu. Yd.	70.0
Concrete Structures			Cu. Yd.	21.2
Reinforcement Bars, Epoxy Coated			Pound	3,530
Furnishing Steel Piles HP12x74			Foot	282
Driving Piles			Foot	282
Test Pile Steel HP12x74			Each	1
Concrete Encasement			Cu. Yd.	2.4

For details of piles and Concrete Encasement, see sheet 31 of 38.

1/28/2013 4:46:12 PM 0380215_025_ABUT_03.dgn



DESIGNED	MAS	REVISION	
CHECKED	MWS	REVISION	
DRAWN	MWS	REVISION	
CHECKED	BJM	REVISION	

STATE OF ILLINOIS
 DEPARTMENT OF TRANSPORTATION

NORTH ABUTMENT
 STRUCTURE NO. 038-0215 (S.B.)

SHEET NO. 25 OF 38 SHEETS

F.A.I. RTE.	SECTION	COUNTY	TOTAL SHEETS	SHEET NO.
57	141 BR(SB) & 38-1 BR(NB)	IROQUOIS	138	63
CONTRACT NO. 66944				
ILLINOIS FED. AID PROJECT				