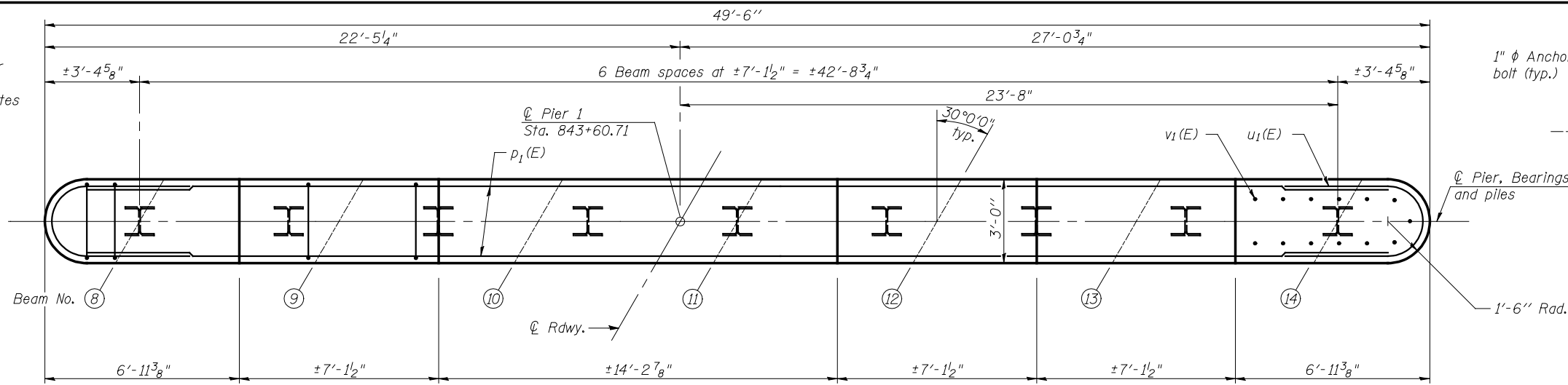
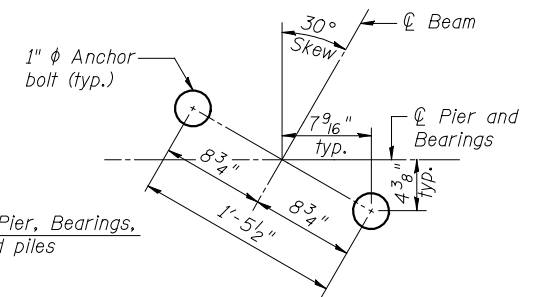


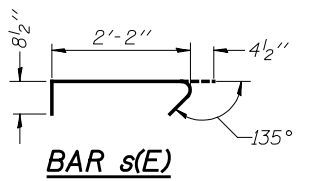
Notes:
 Pour steps monolithically with cap.
 Space reinforcement in cap to miss anchor bolts.
 Bars indicated thus 12 x 2-#5 etc. indicates 12 lines of bars with 2 lengths per line.



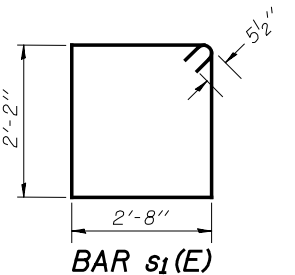
TOP PLAN



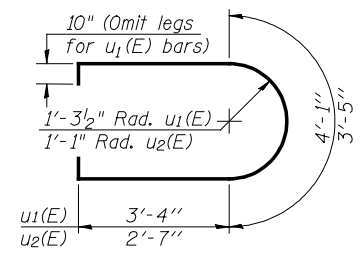
ANCHOR BOLT LOCATION DETAIL



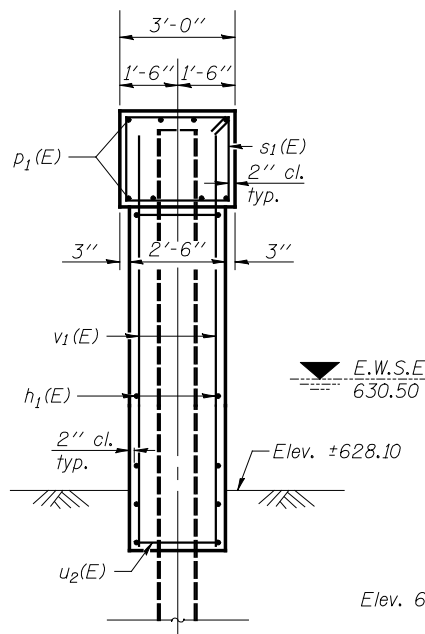
BAR s(E)



BAR s1(E)



BARS u1(E) & u2(E)

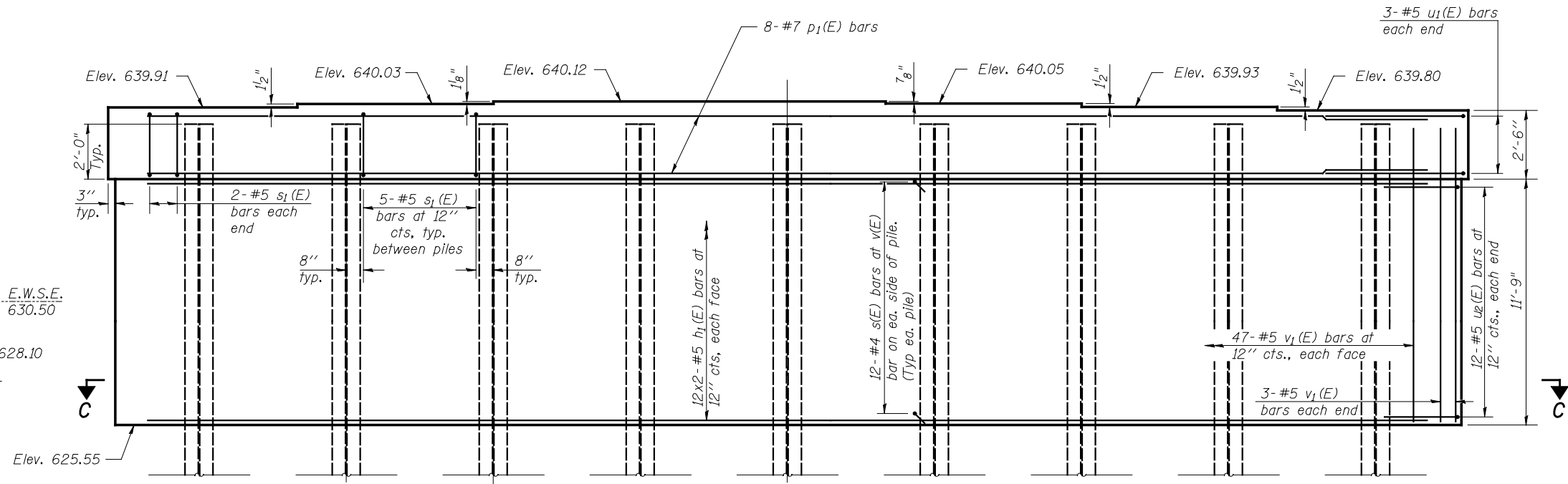


END VIEW

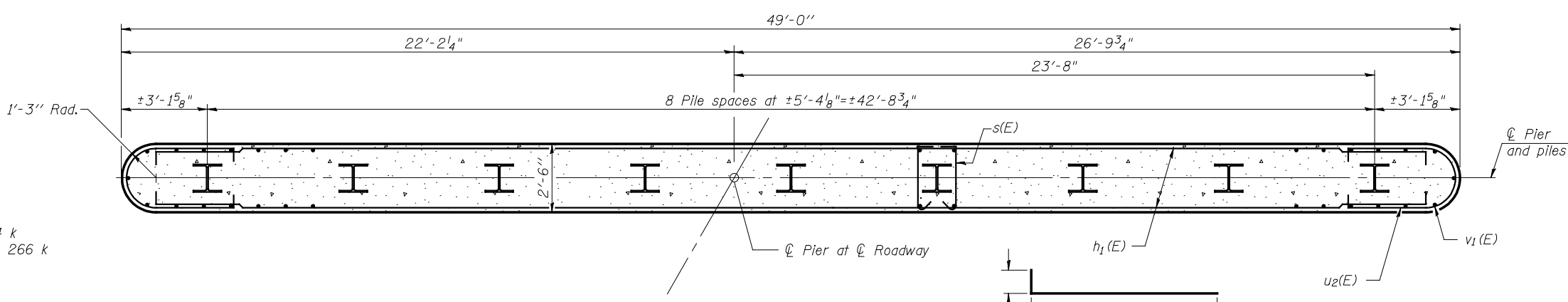
MINIMUM BAR LAP
 #5 bar = 3'-3"

PILE DATA

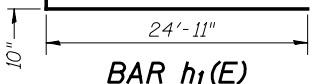
Type: HP 12x74
 Nominal Required Bearing: 484 k
 Factored Resistance Available: 266 k
 Est. Length: 54 ft
 No. Production Piles: 8
 No. Test Piles: 1



ELEVATION
 (Looking South)



SECTION C-C



BAR h1(E)

BILL OF MATERIAL

Bar	No.	Size	Length	Shape
h1(E)	48	#5	25'-9"	┌───┐
p1(E)	8	#7	46'-6"	───
s(E)	216	#4	3'-3"	┌───┐
s1(E)	44	#5	10'-7"	┌───┐
u1(E)	6	#5	10'-9"	┌───┐
u2(E)	24	#5	10'-3"	┌───┐
v1(E)	100	#5	12'-9"	───
Cofferdam Excavation		Cu. Yd.	145.2	
Cofferdam (Type 2) (Location-3)		Each	1	
Seal Coat Concrete		Cu. Yd.	88.7	
Concrete Structures		Cu. Yd.	67.2	
Reinforcement Bars, Epoxy Coated		Pound	4,660	
Furnishing Steel Piles HP12x74		Foot	432	
Driving Piles		Foot	432	
Test Pile Steel HP12x74		Each	1	



USER NAME =	DESIGNED RJP	REVISED -
PLOT SCALE =	CHECKED MJT	REVISED -
PLOT DATE =	DRAWN KC	REVISED -
	CHECKED MJT	REVISED -

STATE OF ILLINOIS
DEPARTMENT OF TRANSPORTATION

PIER 1
STRUCTURE NO. 038-0215 (S.B.)

SHEET NO. 29 OF 38 SHEETS

F.A.I. RTE. 57	SECTION 141 BR	COUNTY IROQUOIS	TOTAL SHEETS 138	SHEET NO. 67
				CONTRACT NO. 66944
ILLINOIS FED. AID PROJECT				