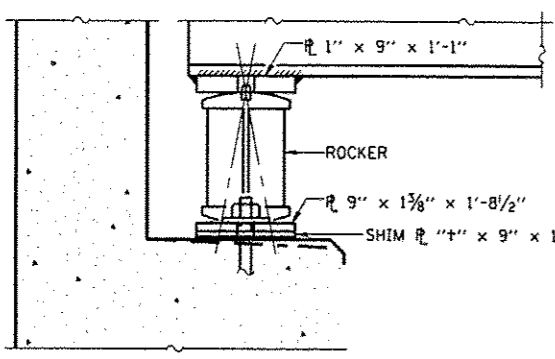
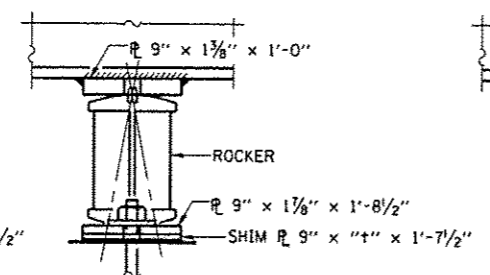


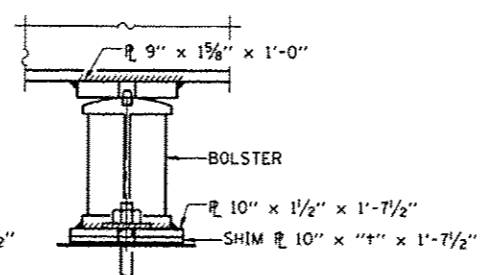
FRAMING PLAN



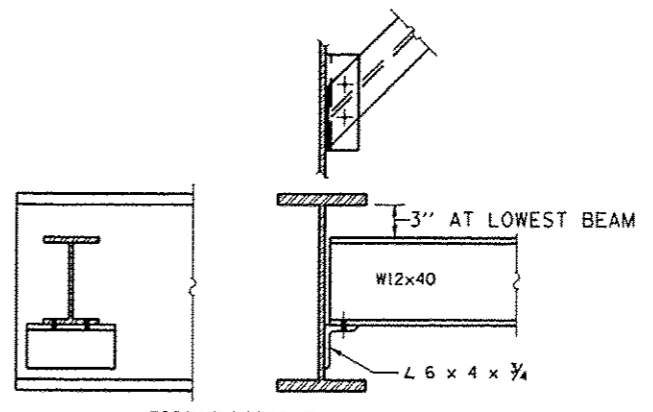
SECTION AT ABUTMENT



PIER 1 & 3

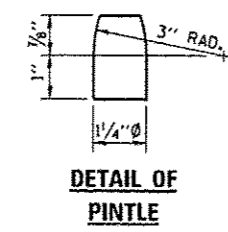


PIER 2

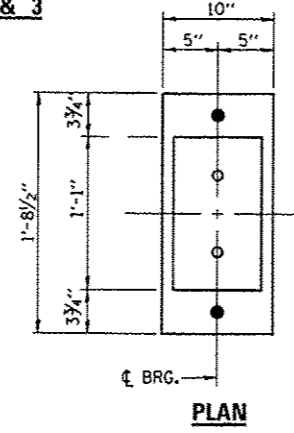


DIAPHRAGMS D
8 REQUIRED

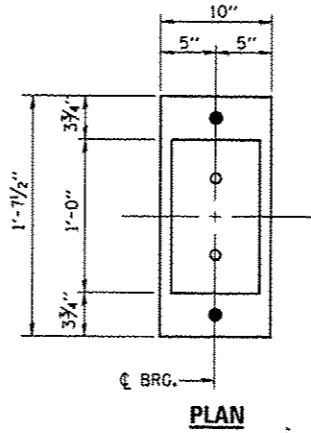
DIAPHRAGMS D1
60 REQUIRED



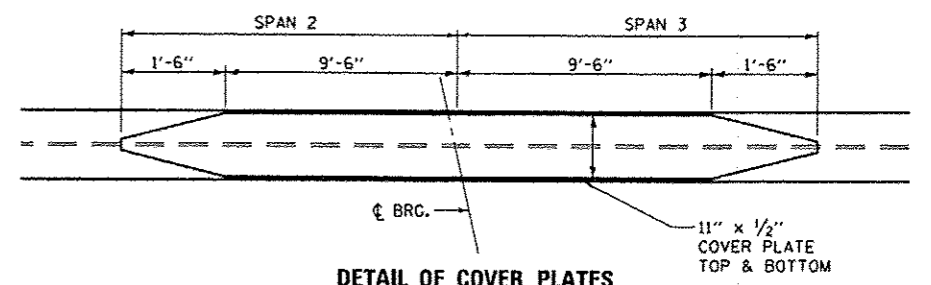
DETAIL OF PINTLE



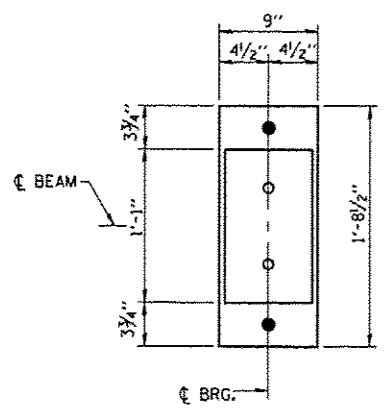
PLAN



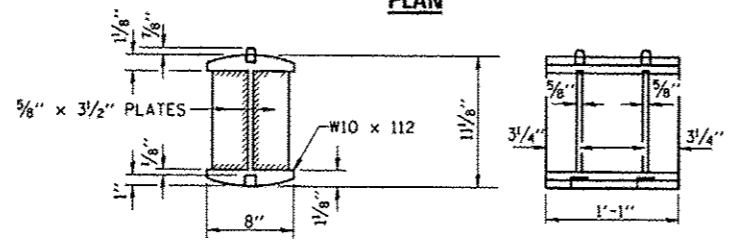
PLAN



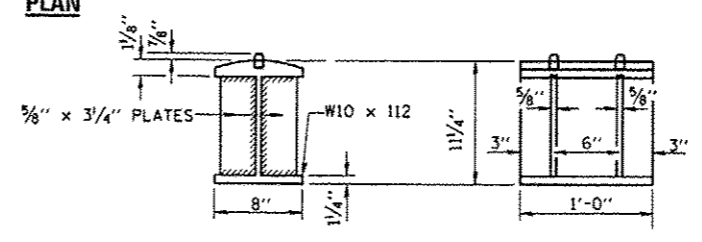
DETAIL OF COVER PLATES AT PIER 2



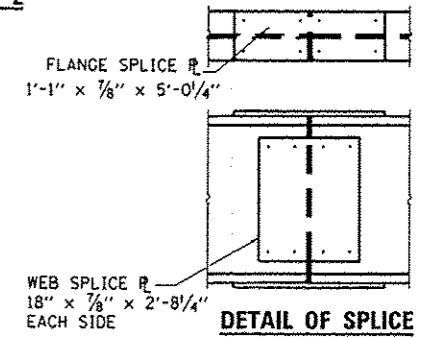
PLAN



DETAIL OF ROCKER AT ABUTS, PIERS 1 & 3



DETAIL OF BOLSTER AT PIER 2



DETAIL OF SPLICE

FILE NAME =	USER NAME = woodshankr1	DESIGNED - RW	REVISED -	STATE OF ILLINOIS DEPARTMENT OF TRANSPORTATION	STRUCTURAL STEEL DETAILS FOR STRUCTURE NO. 038-0129	F.A.I. RTE. =	SECTION	COUNTY	TOTAL SHEETS	SHEET NO.
c:\pwwork\pwwork\woodshankr1\d8319881\0380129-steel-details.dgn	DRAWN - RW	REVISED -	57			(38-5HB-3BP)	ILLINOIS	8	8	
#MODELNAME#	PLOT SCALE = 100.0000 * / in.	CHECKED -	REVISED -			CONTRACT NO. 66C61				
	PLOT DATE = 11/15/2012	DATE -	REVISED -			ILLINOIS FED. AID PROJECT				