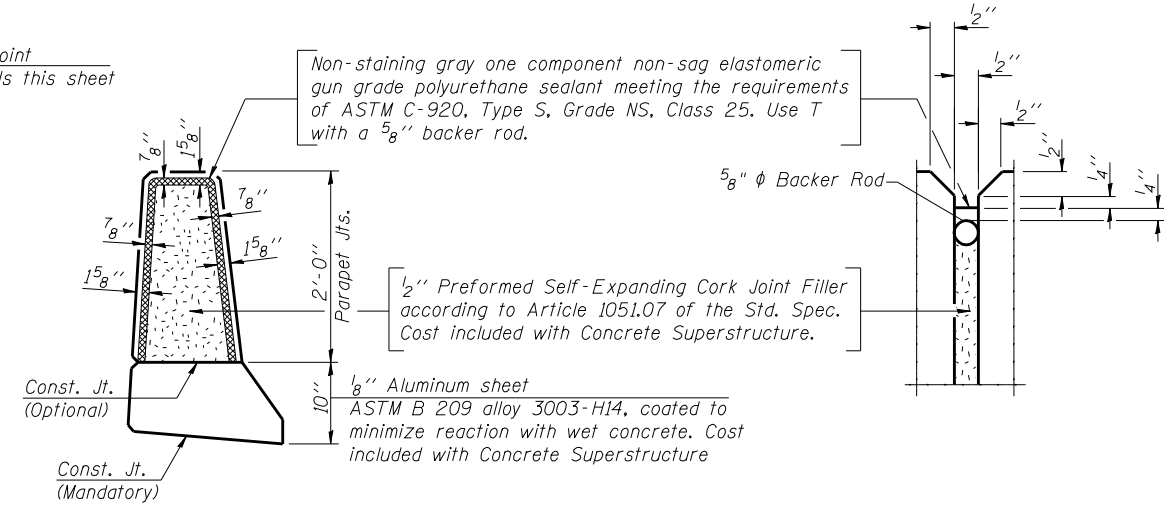
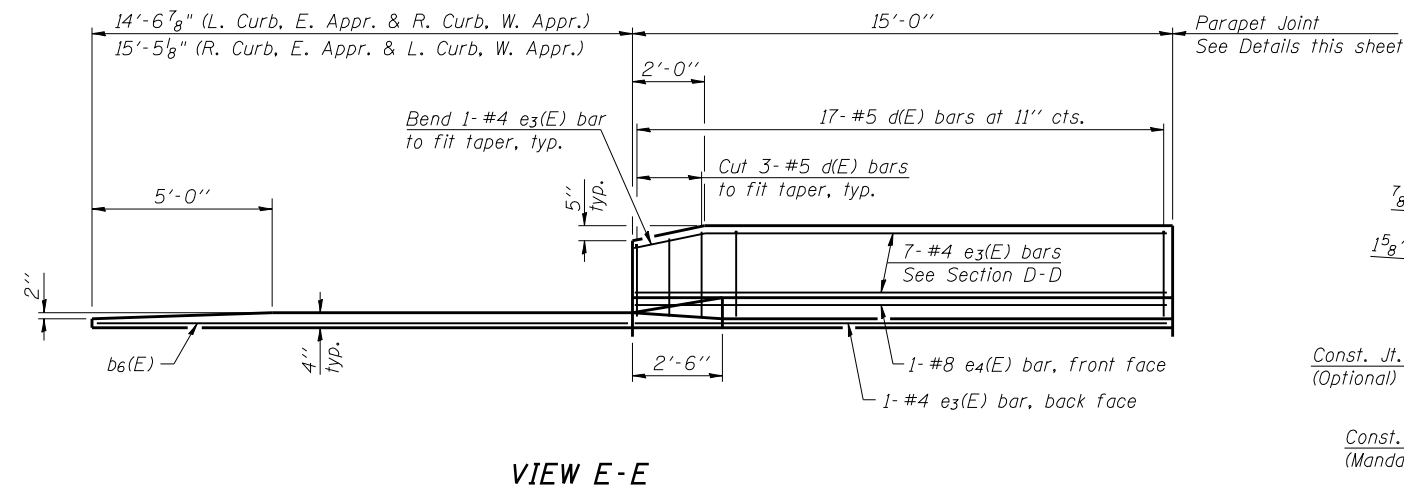
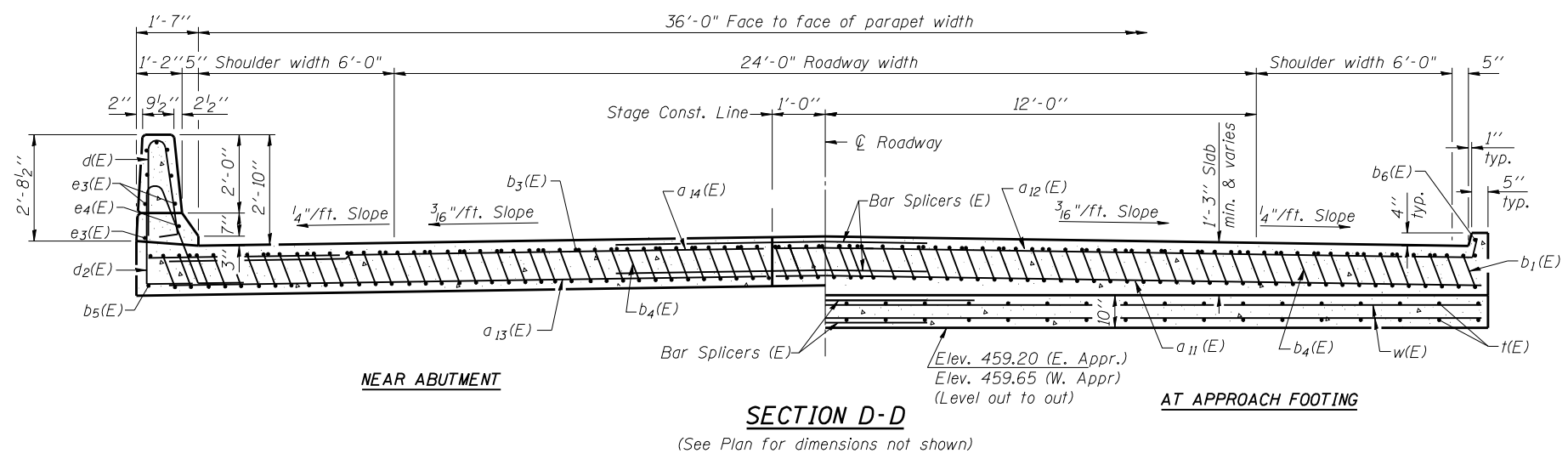
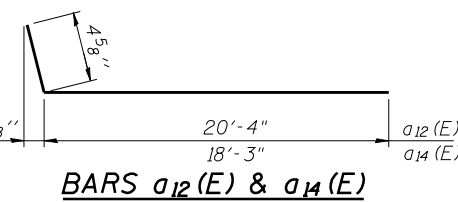
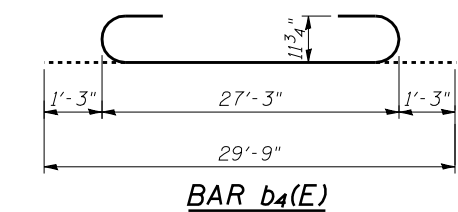
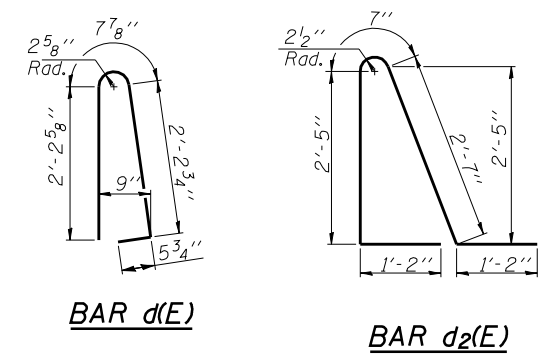
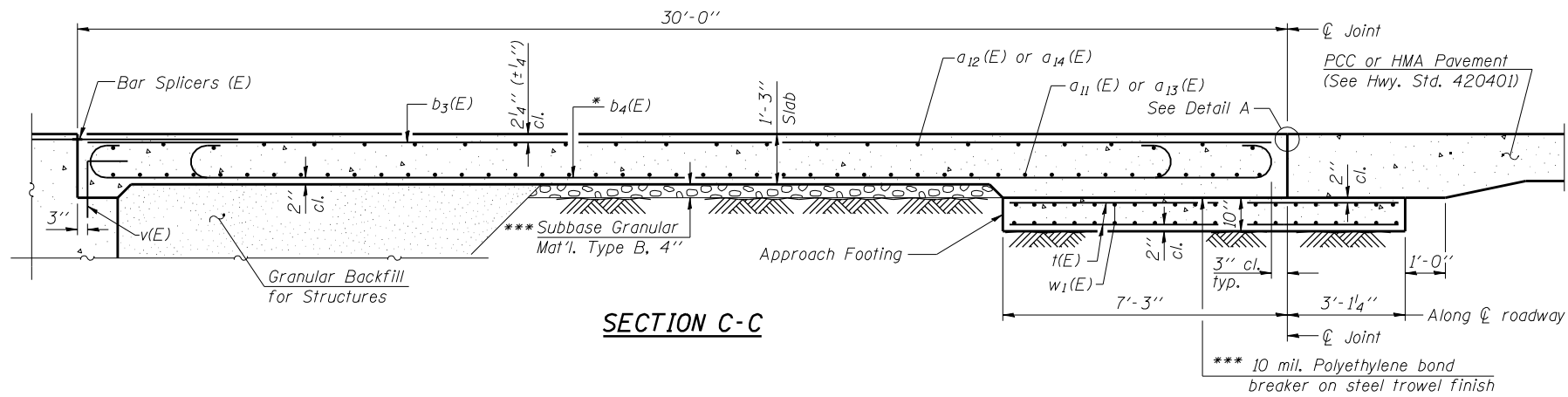


**TWO APPROACHES  
BILL OF MATERIAL**

Bar	No.	Size	Length	Shape
a <sub>8</sub> (E)	48	#6	6'-6"	—
a <sub>11</sub> (E)	92	#5	20'-7"	—
a <sub>12</sub> (E)	50	#4	20'-9"	—
a <sub>13</sub> (E)	92	#5	18'-11"	—
a <sub>14</sub> (E)	50	#4	18'-8"	—
b <sub>3</sub> (E)	64	#4	29'-8"	—
b <sub>4</sub> (E)	180	#9	29'-9"	—
b <sub>5</sub> (E)	4	#4	14'-10"	—
b <sub>6</sub> (E)	4	#4	14'-7"	—
d(E)	68	#5	5'-7"	—
d <sub>2</sub> (E)	68	#5	7'-11"	—
e <sub>3</sub> (E)	32	#4	14'-8"	—
e <sub>4</sub> (E)	4	#8	14'-8"	—
t(E)	152	#4	10'-0"	—
w(E)	80	#5	20'-3"	—
w <sub>1</sub> (E)	80	#5	17'-10"	—
Bar Splicers			Each	222
Concrete Superstructure			Cu. Yd.	119
Concrete Structures			Cu. Yd.	24.2
Reinforcement Bars, Epoxy Coated			Pound	30,750



**Note**  
See sheet 10 of 19 for Detail A and View B-B.  
Approach slab and parapet concrete shall be paid for as Concrete Superstructure.  
Approach footing concrete shall be paid for as Concrete Structures.  
Reinforcement shall be paid for as Reinforcement Bars, Epoxy Coated.  
For v(E) bar details, see sheet 8 of 19.  
The approach footing maximum applied service bearing pressure (Qmax) = 2.0 ksf.  
For bar splicer details, see sheet 17 of 19.  
Cost of excavation for approach footing included with Concrete Structures.  
For Granular Backfill for Structures and drainage treatment details, see sheet 2 of 19.  
For additional parapet details, see sheet 8 of 19.

(Sheet 2 of 2)