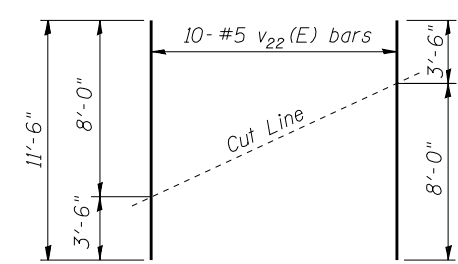


**PILE DATA**

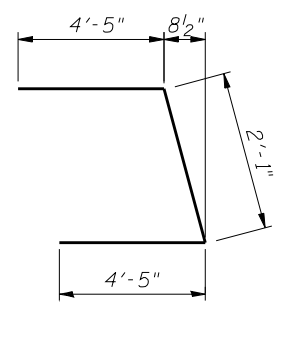
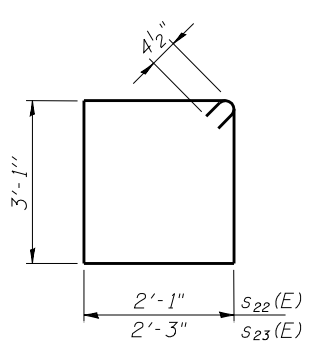
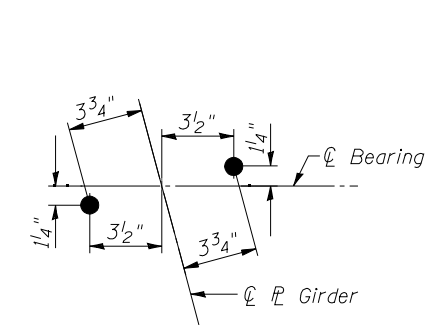
Type: Steel HP14x89  
Nominal Required Bearing: 705 K  
Factored Resistance Available: 362 K  
Est. Length: 30 ft.  
No. Production Piles: 7  
No. Test Piles: 1

Note:  
Piles shall be driven through 21 in. diameter precored holes extending through existing concrete footing at Elevation 431.99. Cost included in Driving Piles.



Order v22(E) full length. Cut as shown and use remainder of bars in opposite face.

**ANCHOR BOLT LOCATION PLAN**



**BILL OF MATERIAL**

Bar	No.	Size	Length	Shape
h20(E)	72	#5	16'-0"	—
p20(E)	10	#7	19'-7"	—
p21(E)	10	#7	21'-8"	—
s22(E)	41	#4	11'-1"	□
s23(E)	4	#4	11'-5"	□
u20(E)	8	#6	10'-11"	⌒
v21(E)	72	#5	4'-4"	—
v22(E)	20	#5	11'-6"	—
Bar Splicers	Each	10		
Structure Excavation	Cu. Yd.	37.5		
Concrete Structures	Cu. Yd.	18.8		
Reinforcement Bars, Epoxy Coated	Pound	3,080		
Furnishing Steel Piles HP14x89	Foot	210		
Driving Piles	Foot	210		
Test Pile Steel HP14x89	Each	1		
Concrete Encasement	Cu. Yd.	4.4		