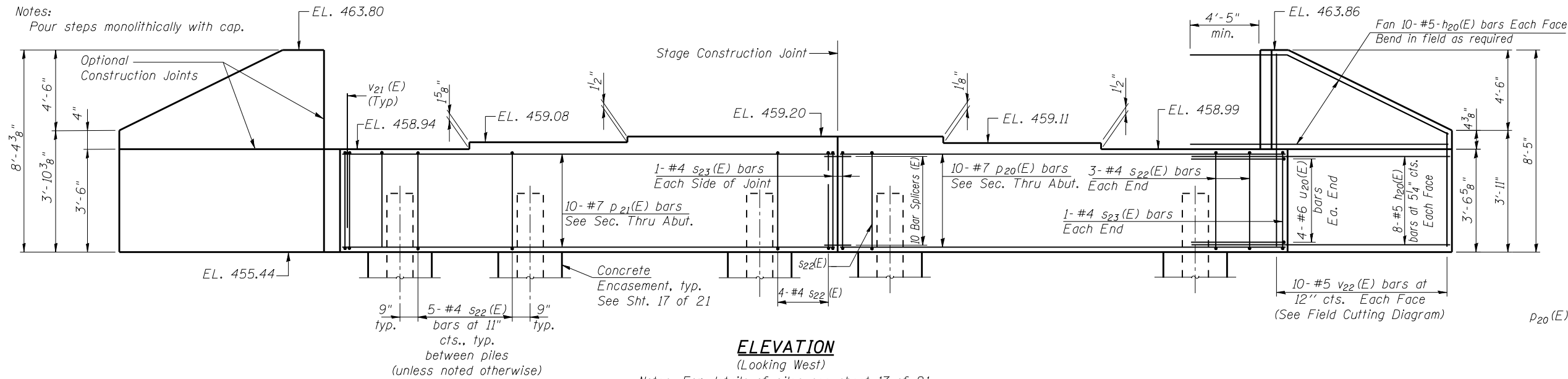


Notes:

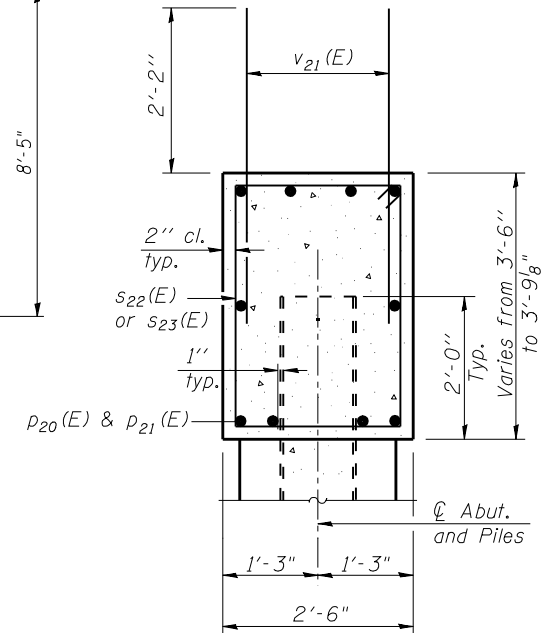
Pour steps monolithically with cap.



ELEVATION

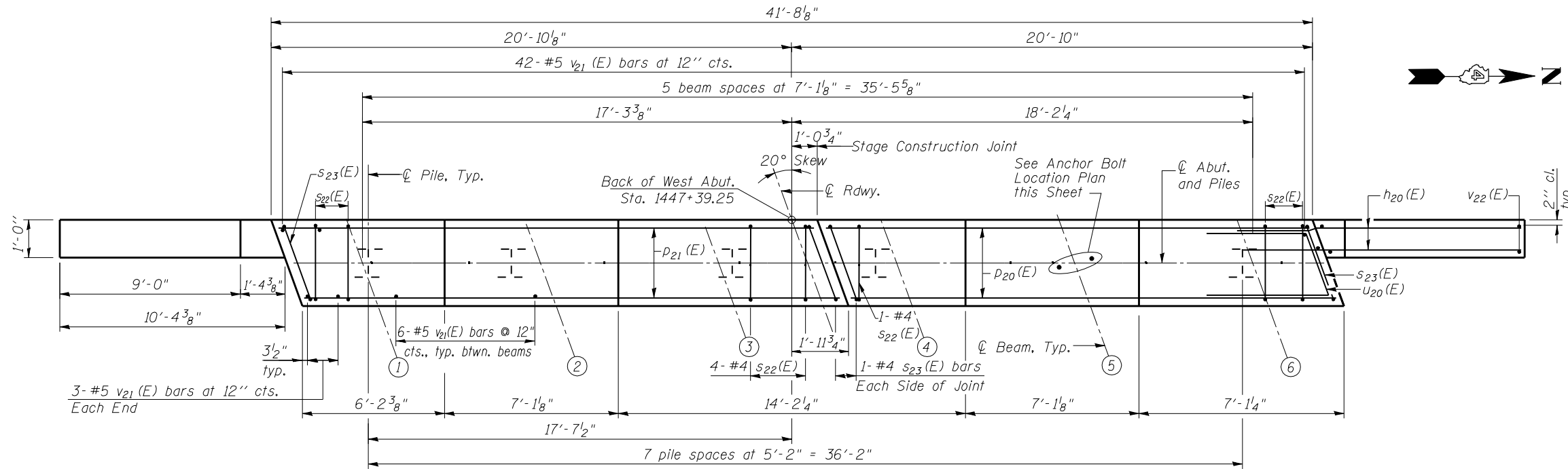
(Looking West)

Notes: For details of piles see sheet 17 of 21



SECTION THRU ABUTMENT

See sheet 2 of 21 for Abutment Backfill details

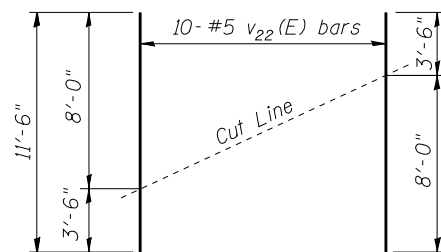


PLAN

PILE DATA

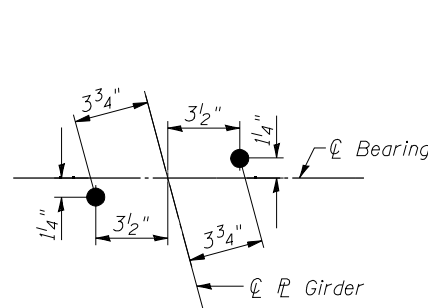
Type: Steel HP14x89
 Nominal Required Bearing: 705 K
 Factored Resistance Available: 356 K
 Est. Length: 28 ft.
 No. Production Piles: 8

Note:
 Piles shall be driven through 21 in. diameter precored holes extending through existing concrete footing at Elevation 431.99. Cost included in Driving Piles.

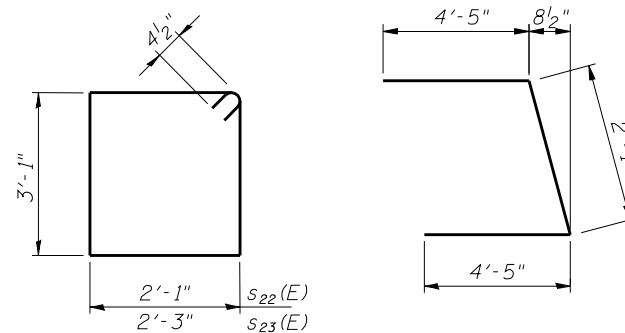


FIELD CUTTING DIAGRAM

Order v22(E) full length. Cut as shown and use remainder of bars in opposite face.



ANCHOR BOLT LOCATION PLAN



BARS s22(E) & s23(E)

BAR u20(E)

BILL OF MATERIAL

Bar	No.	Size	Length	Shape	
h20(E)	72	#5	16'-0"	—	
p20(E)	10	#7	19'-7"	—	
p21(E)	10	#7	21'-8"	—	
s22(E)	41	#4	11'-1"	□	
s23(E)	4	#4	11'-5"	□	
u20(E)	8	#6	10'-11"	⌒	
v21(E)	72	#5	4'-4"	—	
v22(E)	20	#5	11'-6"	—	
Bar Splicers				Each	10
Structure Excavation				Cu. Yd.	37.5
Concrete Structures				Cu. Yd.	18.9
Reinforcement Bars, Epoxy Coated				Pound	3,080
Furnishing Steel Piles HP14x89				Foot	224
Driving Piles				Foot	224
Concrete Encasement				Cu. Yd.	4.4