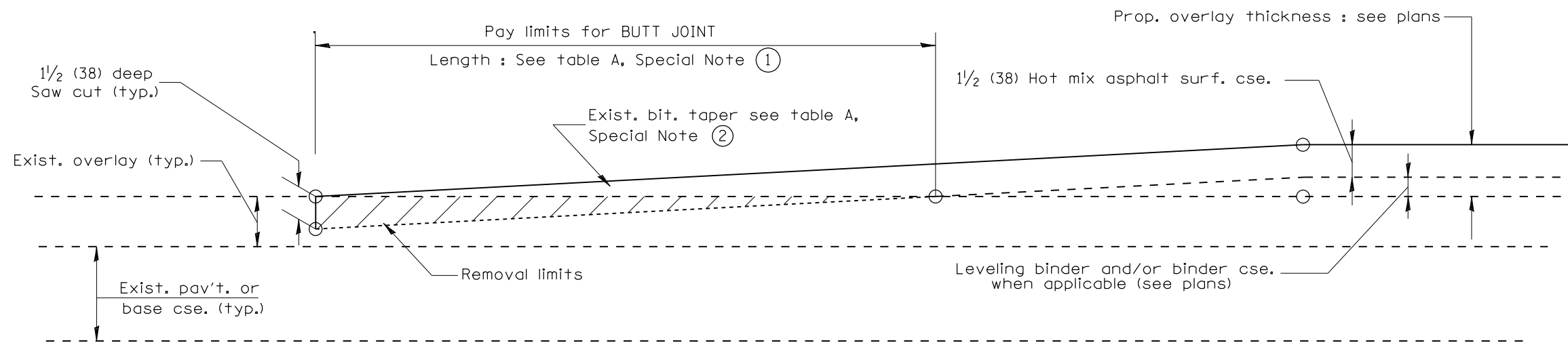
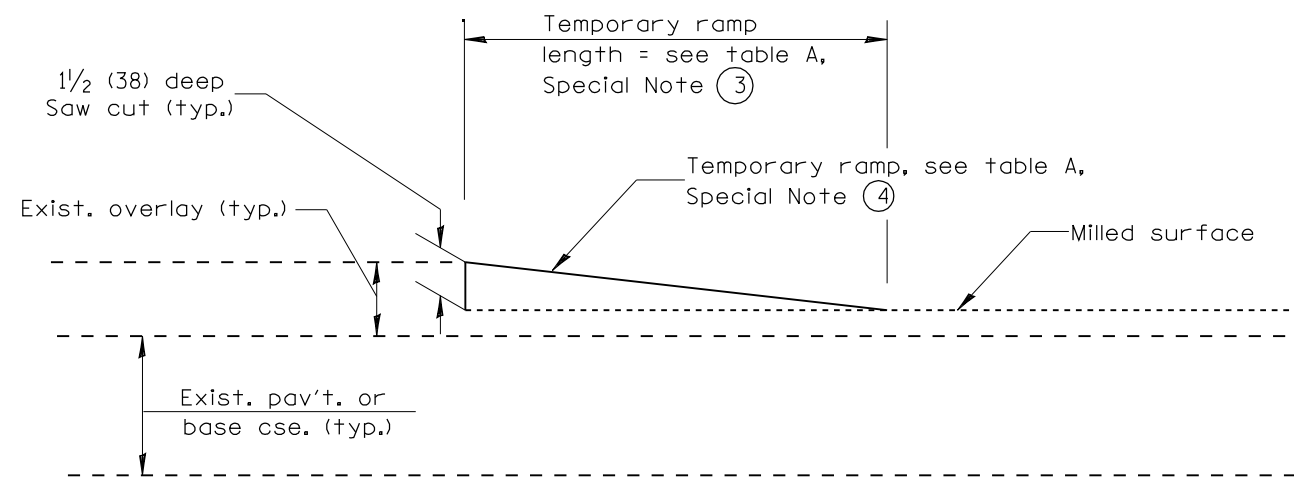


CASE 3 : WITH HOT MIX ASPHALT SURFACE REMOVAL (COLD MILLING)
TIE-IN TO EXISTING BITUMINOUS TAPER



CASE 4 : NO HOT MIX ASPHALT SURFACE REMOVAL (COLD MILLING)
TIE-IN TO EXISTING BITUMINOUS TAPER



DETAIL TEMPORARY RAMP

All dimensions are in inches (millimeters) unless otherwise noted.

STATE OF ILLINOIS
DEPARTMENT OF TRANSPORTATION

NOT TO SCALE

BUTT JOINTS

SHI_2_OF_3
 CADD SID_406101-04

F.A. RTE.	SECTION	COUNTY	TOTAL SHEETS	SHEET NO.
			118	91
FED. ROAD DIST. NO. ILLINOIS FED. AID PROJECT			CONTRACT NO.	