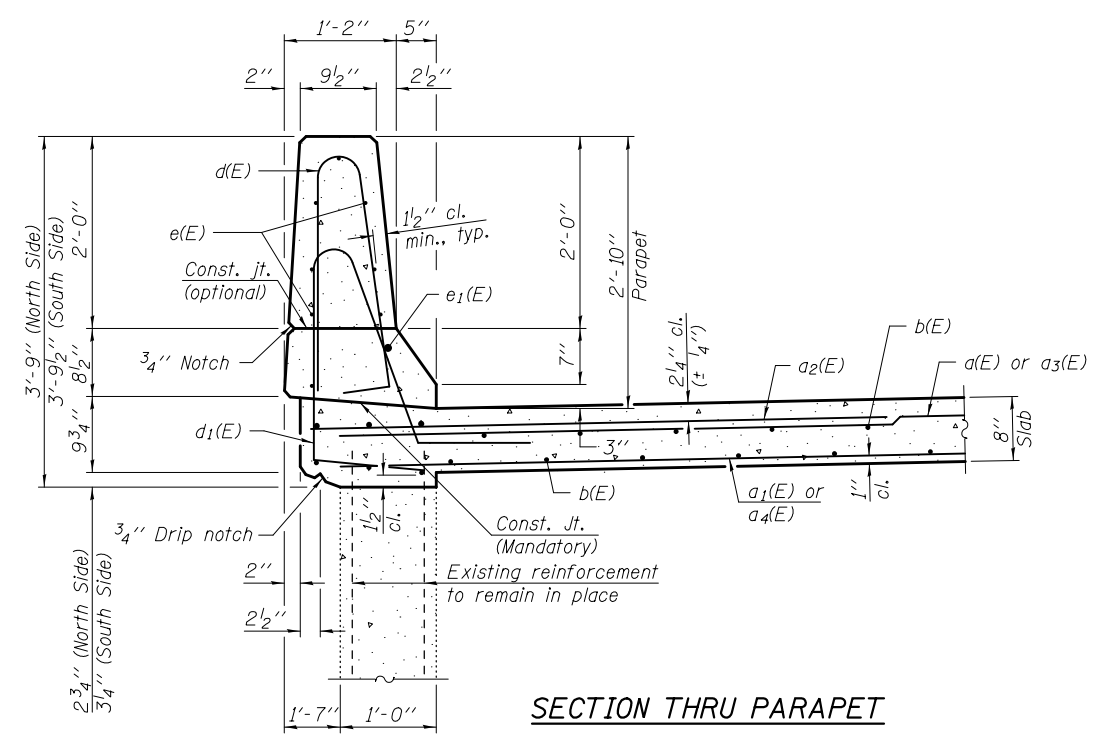
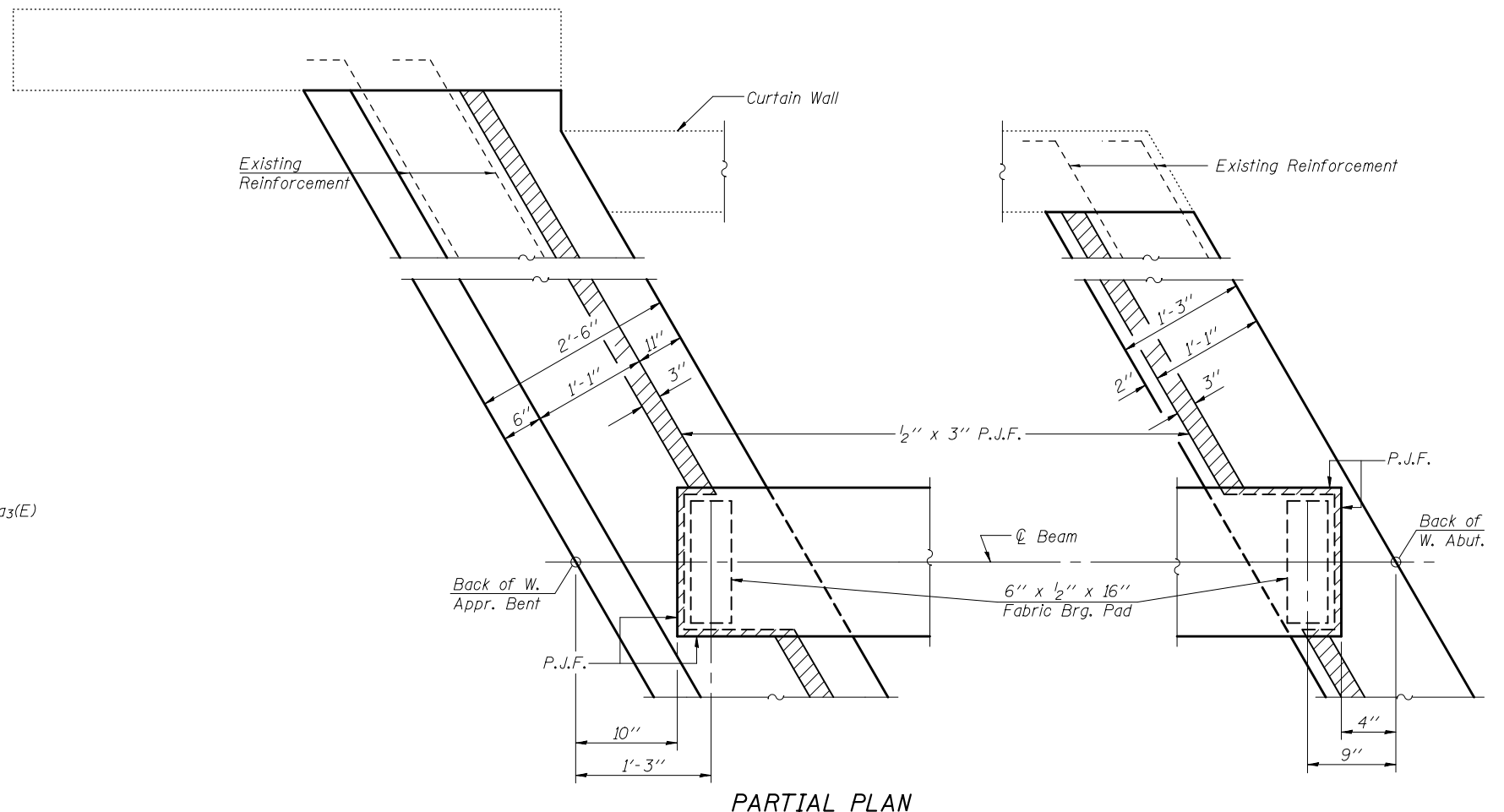


CROSS SECTION
(Looking East)

Notes:
 For Plan, see sheet 19 of 62.
 For Removal Details, see sheet 18 of 62.
 For Diaphragm details, bar bending diagrams, and Bill of Material, see sheet 21 of 62.
 Existing reinforcement shall be cleaned and incorporated into the new construction. Cost included with "Removal of Existing Superstructures".
 Any reinforcement bars that are damaged during concrete removal operations shall be repaired or replaced using an approved bar splicer or anchorage system. Cost included with "Removal of Existing Superstructures".



FILE NAME =	USER NAME = #USER#	DESIGNED K.A. KLUES	REVISED - 12/17/12 DHC/JKS	STATE OF ILLINOIS DEPARTMENT OF TRANSPORTATION	HORNER & SHIRIN, INC. ENGINEERS	SUPERSTRUCTURE DETAILS - SPAN 1 (E.B.) STRUCTURE NOS. 072-0119 (E.B.) & 072-0120 (W.B.)	F.A.I. RTE.	SECTION	COUNTY	TOTAL SHEETS	SHEET NO.
#FILE#		CHECKED E.M. LAGEMANN	Del. Staging (IDOT)				474	(72-3HB-1),I	PEORIA	88	36
PLOT SCALE =		DRAWN K.A. KLUES	REVISIED -				CONTRACT NO. 68883			ILLINOIS FED. AID PROJECT	
PLOT DATE = #DATE#		CHECKED E.M. LAGEMANN	REVISIED -	SHEET NO. 20 OF 62 SHEETS							