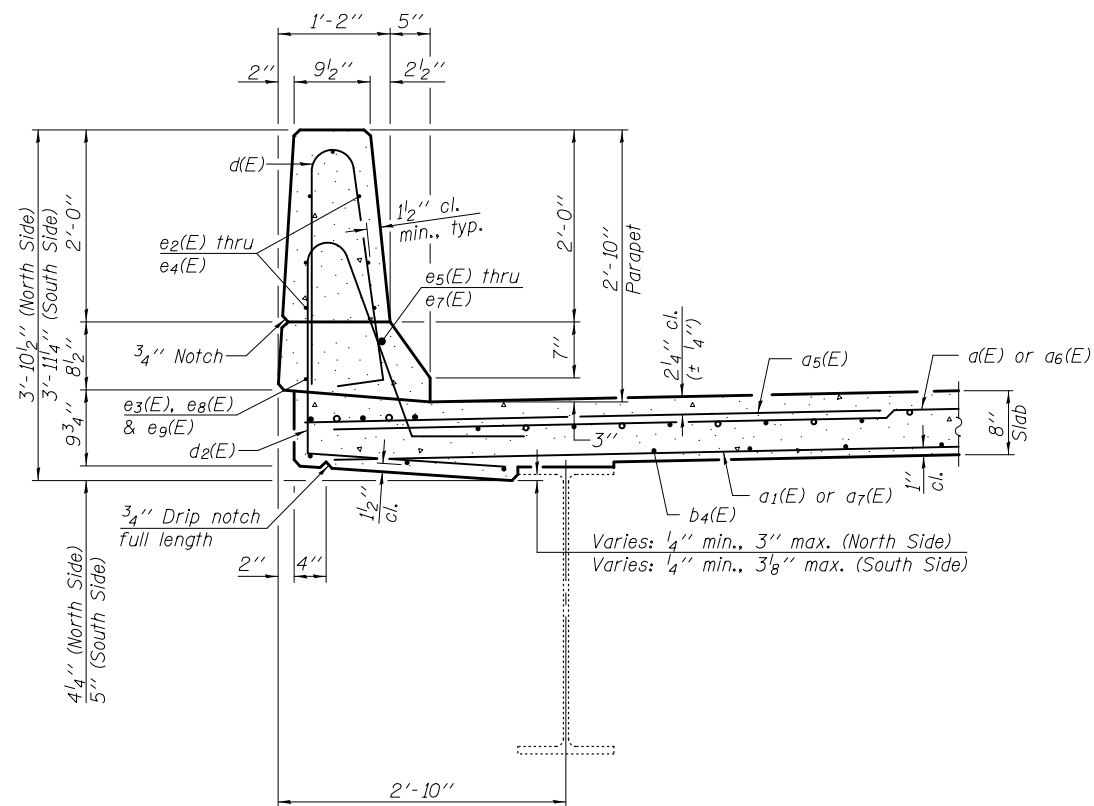
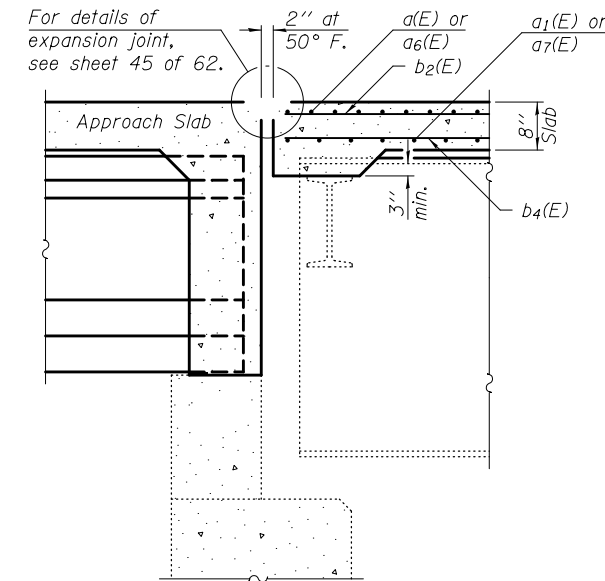


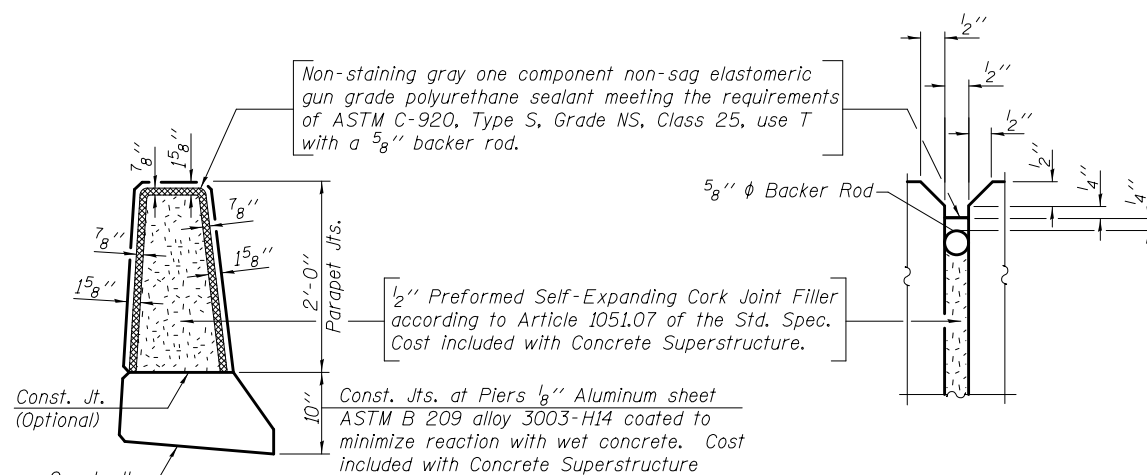
Notes:  
 For Plan, see sheet 22 of 62.  
 For Cross Section and Inside Elevation of Parapet, see sheet 23 of 62.  
 For bar d(E) diagram, see sheet 21 of 62.  
 For Removal Details, see sheet 18 of 62.



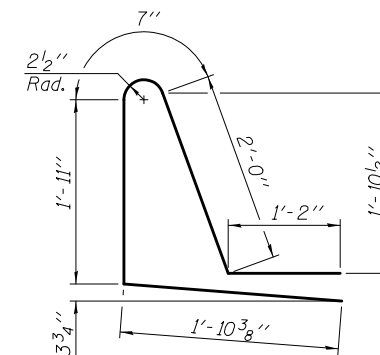
SECTION THRU PARAPET



SECTION A-A



PARAPET JOINT DETAILS



BAR d2(E)

**SUPERSTRUCTURE  
BILL OF MATERIAL**

Bar	No.	Size	Length	Shape
a(E)	312	#5	21'-0"	—
a1(E)	234	#5	34'-0"	—
a5(E)	312	#6	6'-6"	—
a6(E)	312	#5	37'-1"	—
a7(E)	234	#5	24'-1"	—
b2(E)	464	#5	27'-1"	—
b3(E)	108	#6	25'-10"	—
b4(E)	480	#5	22'-4"	—
d(E)	424	#5	5'-7"	⌋
d2(E)	424	#5	7'-7"	⌋
e2(E)	56	#4	19'-8"	—
e3(E)	32	#4	18'-9"	—
e4(E)	56	#4	18'-10"	—
e5(E)	6	#8	29'-11"	—
e6(E)	4	#8	18'-9"	—
e7(E)	6	#8	28'-10"	—
e8(E)	8	#4	21'-4"	—
e9(E)	8	#4	20'-7"	—
Reinforcement Bars, Epoxy Coated		Pound	73,630	
Concrete Superstructure		Cu. Yds.	323.1	

FILE NAME =	USER NAME = #USER*	DESIGNED K.A. KLUES	REVISED - 12/17/12 DHC/JKS
*FILE*		CHECKED E.M. LAGEMANN	Del. Staging (IDOT)
	PLOT SCALE =	DRAWN K.A. KLUES	REVISED -
	PLOT DATE = #DATE*	CHECKED E.M. LAGEMANN	REVISED -

STATE OF ILLINOIS  
DEPARTMENT OF TRANSPORTATION

HORNER & SHIRIN, INC.  
ENGINEERS

SUPERSTRUCTURE DETAILS - SPANS 2 & 3 (E.B.)  
STRUCTURE NOS. 072-0119 (E.B.) & 072-0120 (W.B.)

F.A.I. RTE.	SECTION	COUNTY	TOTAL SHEETS	SHEET NO.
474	(72-3HB-1), I	PEORIA	88	40
				CONTRACT NO. 68883
ILLINOIS FED. AID PROJECT				

SHEET NO. 24 OF 62 SHEETS