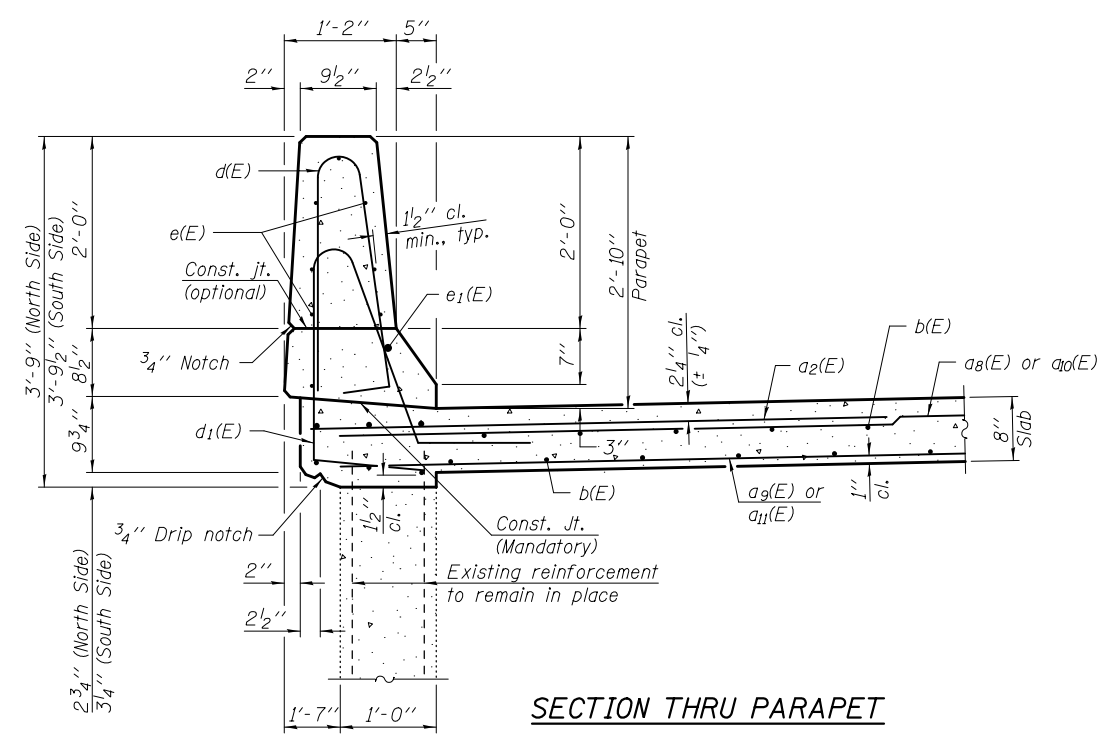
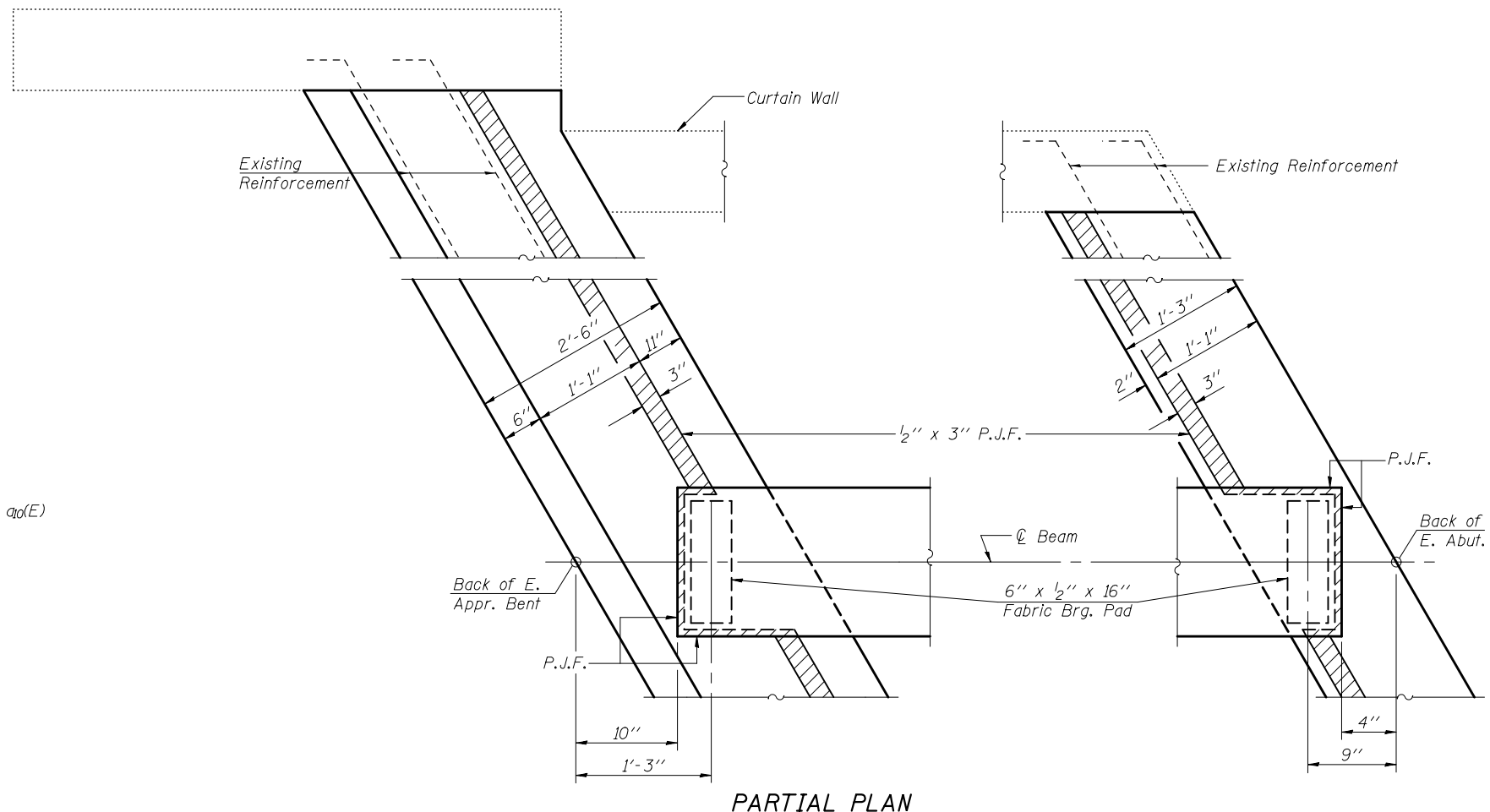


CROSS SECTION
(Looking East)

Notes:
 For Plan, see sheet 25 of 62.
 For bar bending diagrams, see sheets 21 & 27 of 62.
 For diaphragm details and Bill of Material, see sheet 27 of 62.
 For Removal Details, see sheet 18 of 62.
 Existing reinforcement shall be cleaned and incorporated into the new construction. Cost included with "Removal of Existing Superstructures".
 Any reinforcement bars that are damaged during concrete removal operations shall be repaired or replaced using an approved bar splicer or anchorage system. Cost included with "Removal of Existing Superstructures".



SECTION THRU PARAPET

FILE NAME =	USER NAME = #USER*	DESIGNED K.A. KLUES	REVISED - 12/17/12 DHC/JKS	STATE OF ILLINOIS DEPARTMENT OF TRANSPORTATION		SUPERSTRUCTURE DETAILS - SPAN 4 (E.B.) STRUCTURE NOS. 072-0119 (E.B.) & 072-0120 (W.B.)	F.A.I. RTE.	SECTION	COUNTY	TOTAL SHEETS	SHEET NO.
*FILE#		CHECKED E.M. LAGEMANN	Del. Staging (IDOT)				474	(72-3HB-1),I	PEORIA	88	42
PLOT SCALE =		DRAWN K.A. KLUES	REVISED -				CONTRACT NO. 68883				
PLOT DATE = #DATE*		CHECKED E.M. LAGEMANN	REVISED -	SHEET NO. 26 OF 62 SHEETS							
ILLINOIS FED. AID PROJECT											