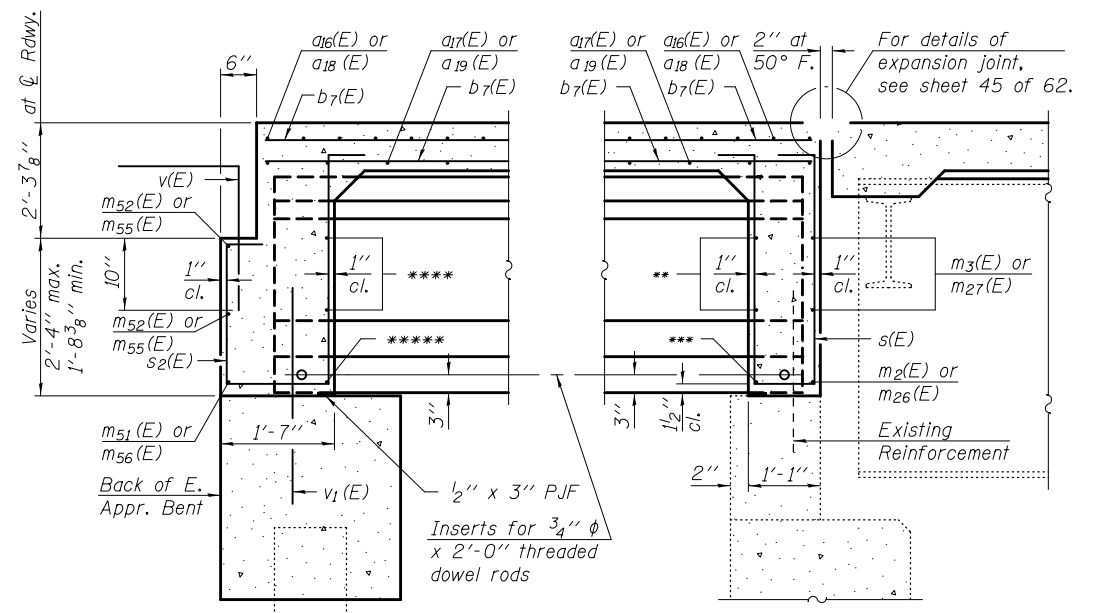
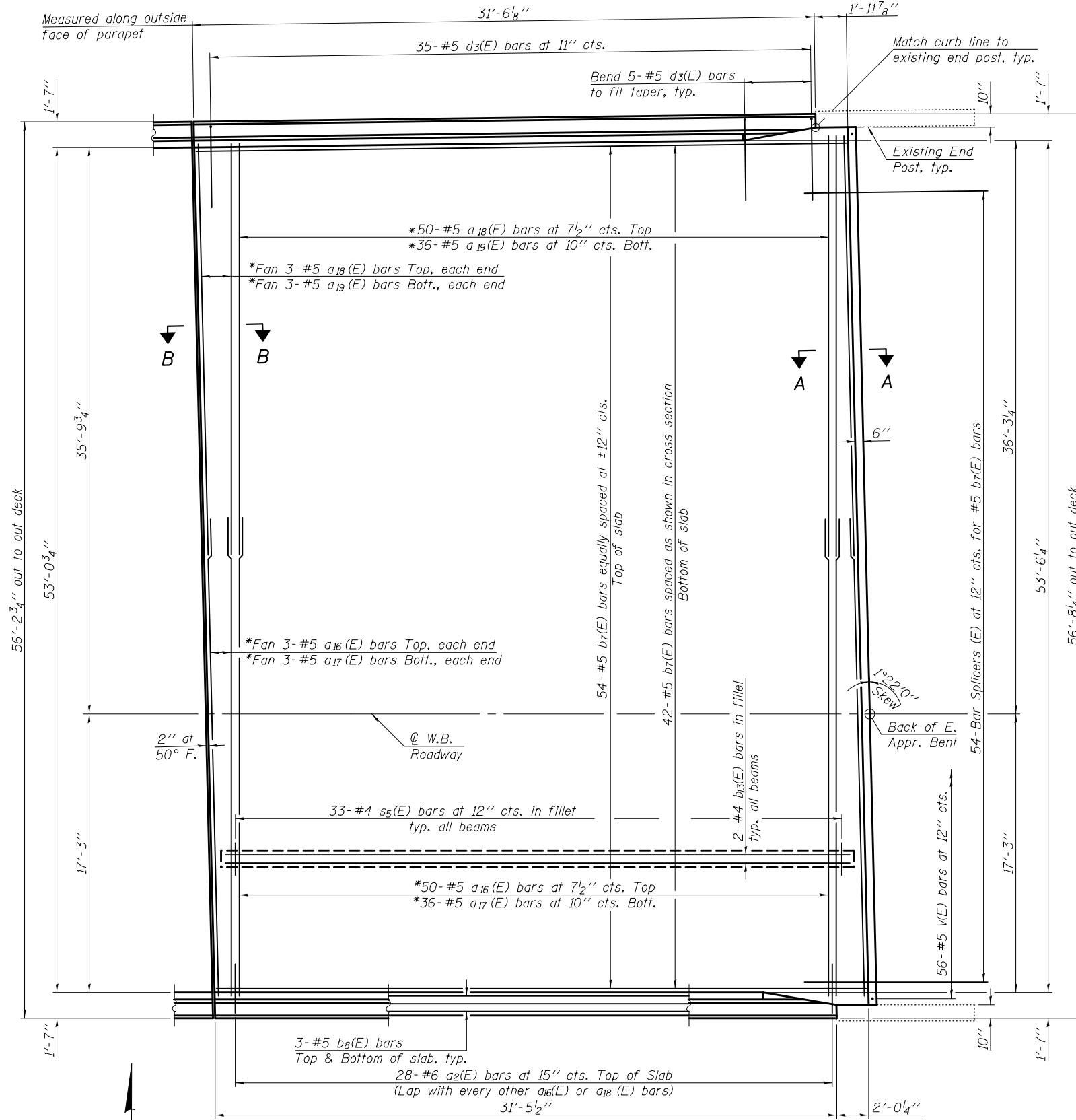


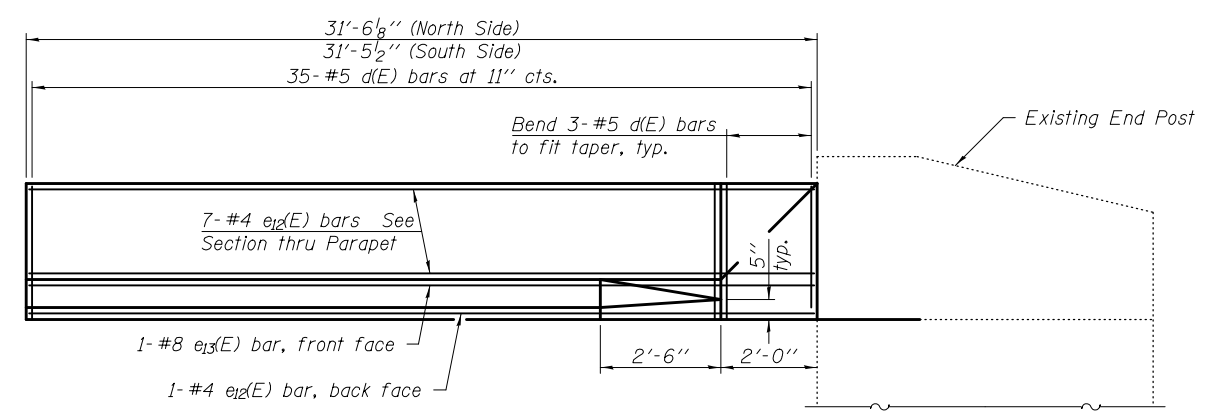
*Increase bar lap to provide 1/2" min. clearance to existing end post or edge of slab.



SECTION A-A

SECTION B-B

**m25(E), m28(E), or m31(E)
 ***m21(E), m24(E), or m32(E)
 ****m25(E), or m53(E)
 *****m24(E), or m54(E)



INSIDE ELEVATION OF PARAPET

Note: Bend e12(E) & e13(E) bars in field to fit taper.

Notes:
 For Cross Section and Parapet Details, see sheet 35 of 62.
 For diaphragm details and Bill of Materials, see sheet 36 of 62.
 For Removal Details, see sheet 18 of 62.
 Existing reinforcement shall be cleaned and incorporated into the new construction. Cost included with "Removal of Existing Superstructures".
 Any reinforcement bars that are damaged during concrete removal operations shall be repaired or replaced using an approved bar splicer or anchorage system. Cost included with "Removal of Existing Superstructures".

MIN. BAR LAP
 #5 bar = 3'-3"

FILE NAME = *FILE*	USER NAME = *USER*	DESIGNED K.A. KLUES	REVISED - 12/17/12 DHC/JKS	STATE OF ILLINOIS DEPARTMENT OF TRANSPORTATION	HORNER & SHIRIN, INC ENGINEERS	SUPERSTRUCTURE DETAILS - SPAN 4 (W.B.) STRUCTURE NOS. 072-0119 (E.B.) & 072-0120 (W.B.)	F.A.I. RTE.	SECTION	COUNTY	TOTAL SHEETS	SHEET NO.
	CHECKED E.M. LAGEMANN	Del. Staging (IDOT)	474				(72-3HB-1),I	PEORIA	88	50	
PLOT SCALE =	DRAWN K.A. KLUES	REVISIED -	CONTRACT NO. 68883								
PLOT DATE = *DATE*	CHECKED E.M. LAGEMANN	REVISIED -	SHEET NO. 34 OF 62 SHEETS				ILLINOIS FED. AID PROJECT				