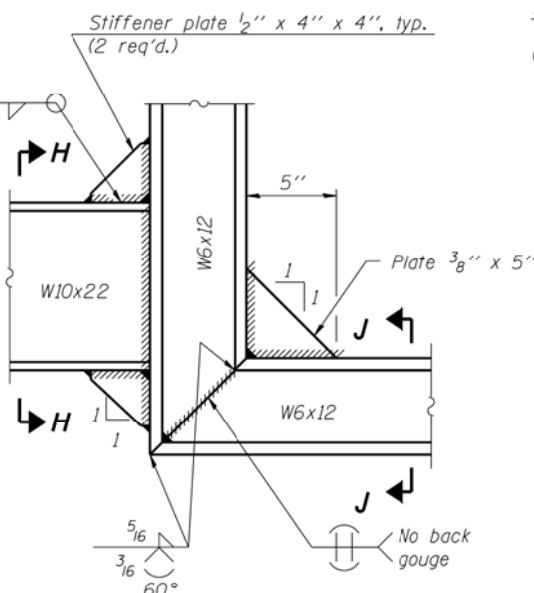
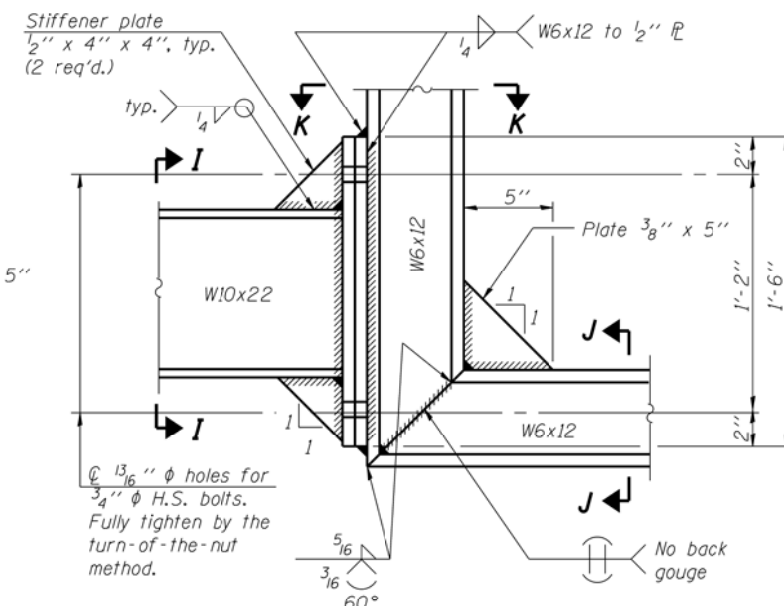


DETAIL A

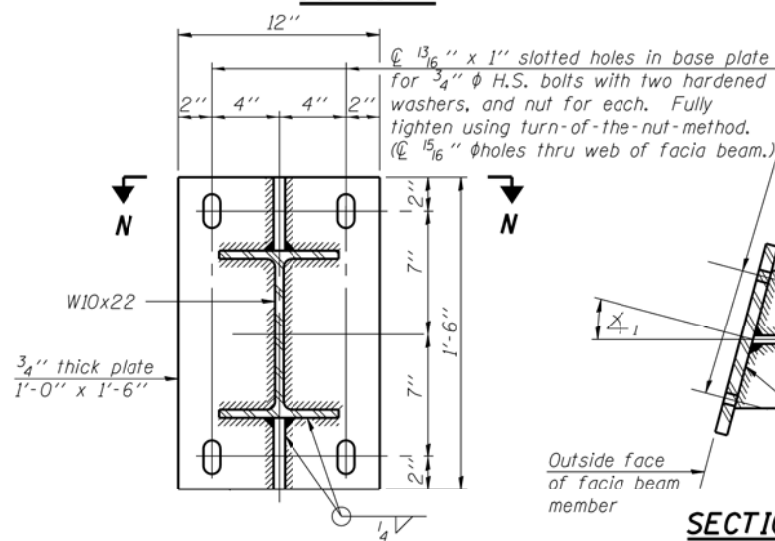
SECTION G-G



DETAIL B - WELDED W10x22 TO W6x12 CONNECTION

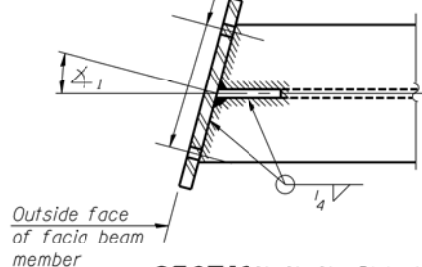


DETAIL B - ALTERNATE BOLTED W10x22 TO W6x12 CONNECTION

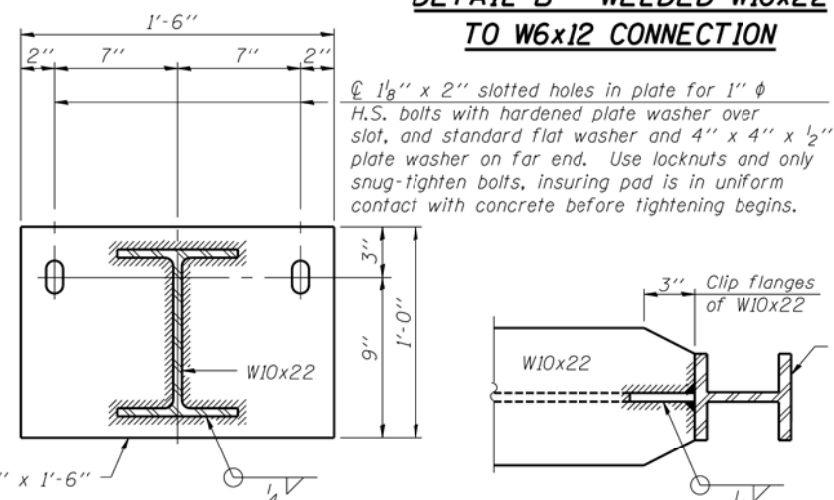


SECTION N-N

Steel beam or girder connection plate details

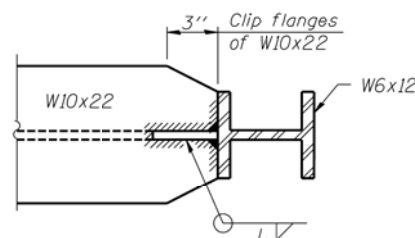


SECTION C-C
Skewed connection detail
for W10x22 to fascia beam.

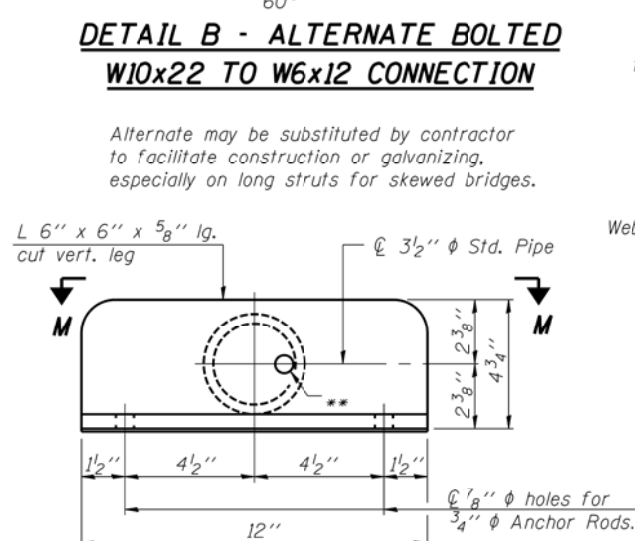


SECTION D-D

Concrete beam or girder connection plate details.

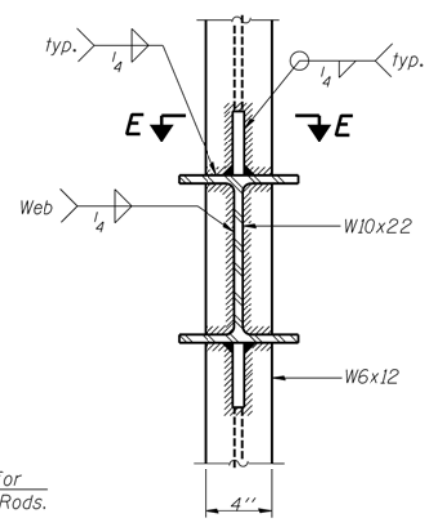


SECTION E-E

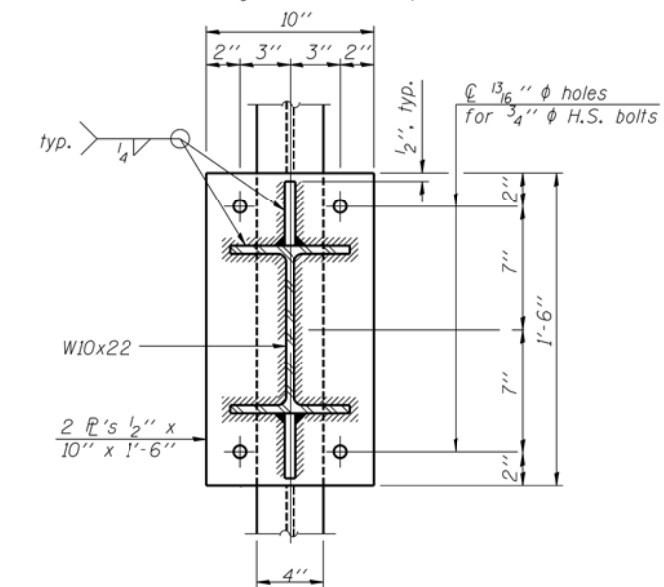


VIEW F-F

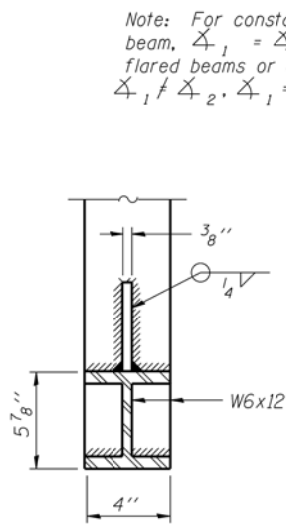
** 1/16 inch holes for galvanizing. After galvanizing, install 7/8 inch A307 hot-dip galvanized bolt to close hole in angle. (No bolt required in 1/2 inch plate.)



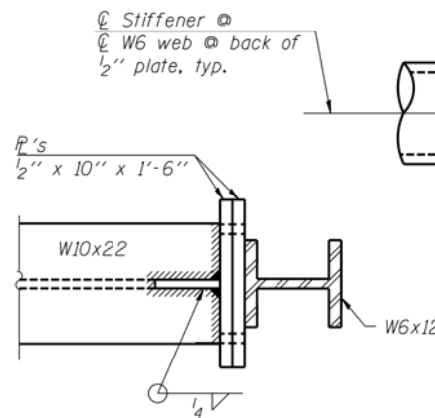
SECTION H-H



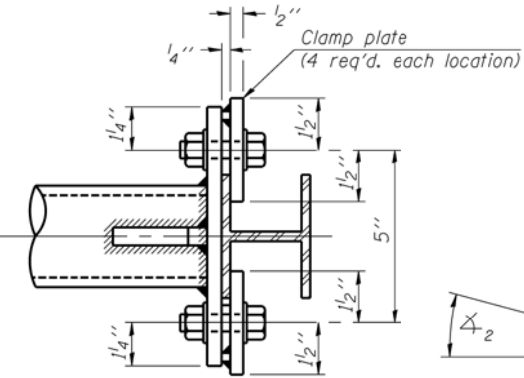
SECTION I-I



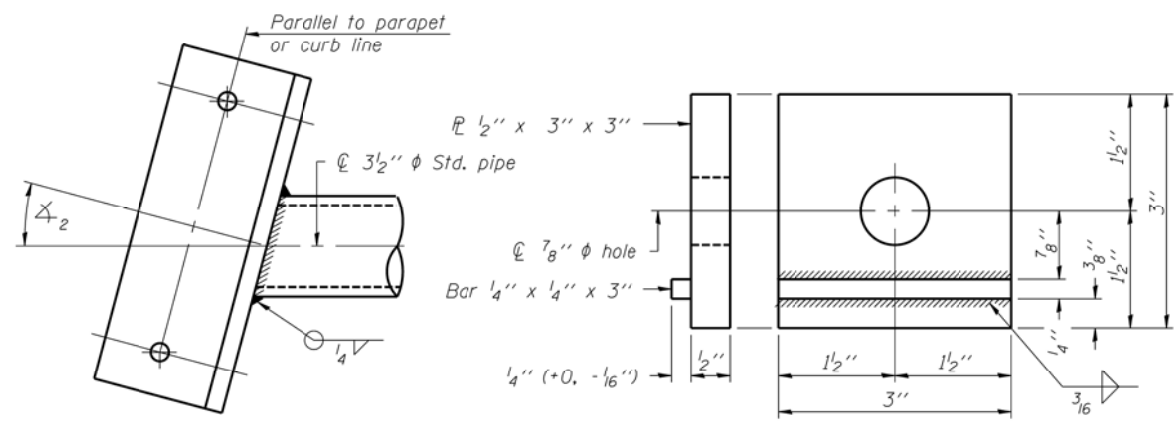
SECTION J-J



SECTION K-K



SECTION L-L



SECTION M-M

Skewed connection detail for 3 1/2 inch pipe to parapet.

CLAMP PLATE DETAILS