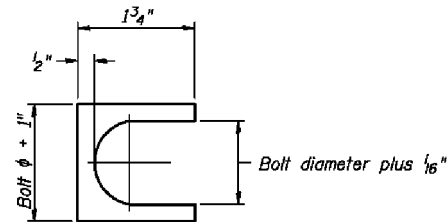
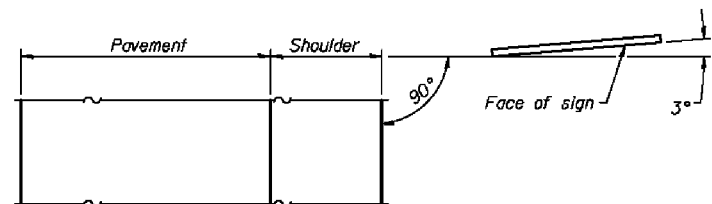


**ELEVATION**

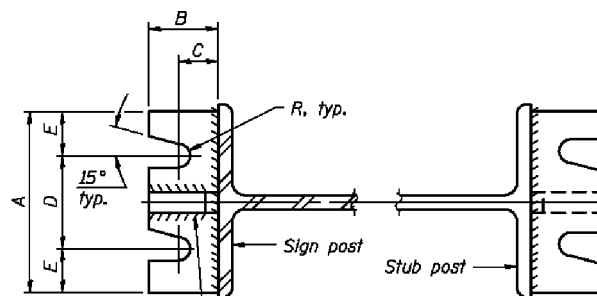


**SHIM DETAIL**

Furnish two 0.01" thick and two 0.03" thick stainless steel or brass (ASTM B36) shims per post.

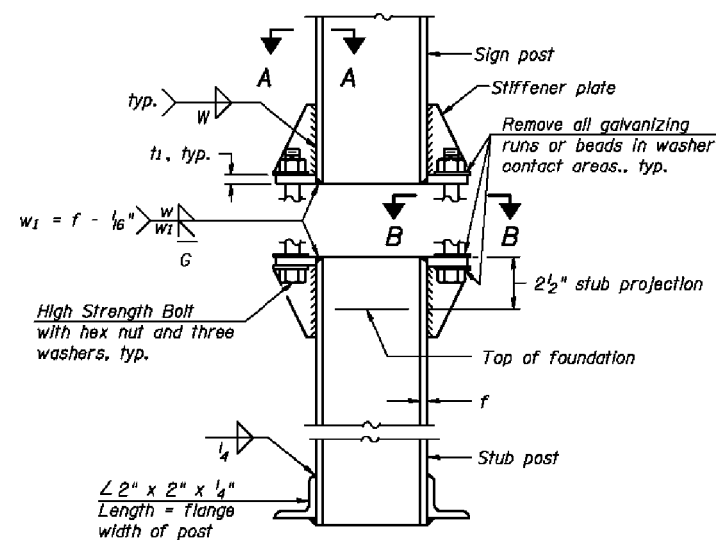


**LOCATION SKETCH**

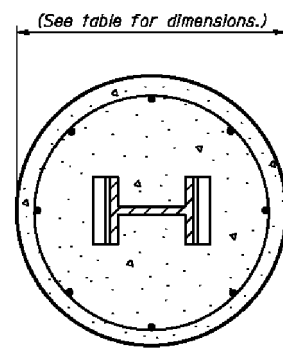


**SECTION A-A**

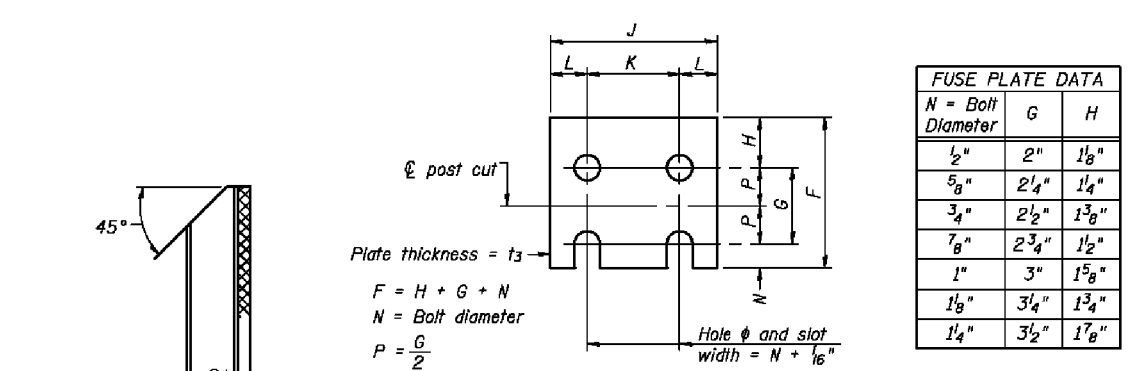
**SECTION B-B**



**ELEVATION SIGN POST & STUB POST**

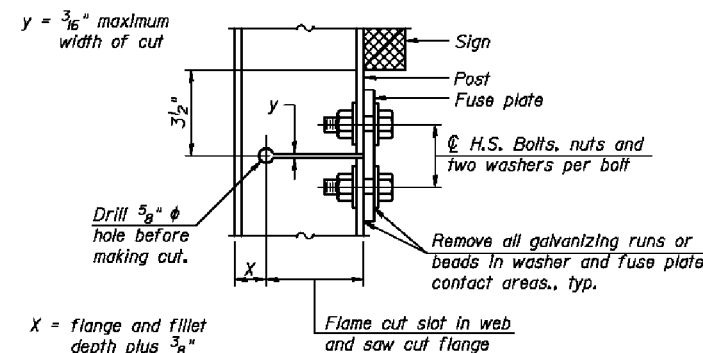


**SECTION C-C**

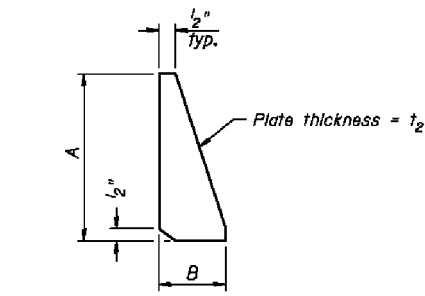


**FUSE PLATE DETAIL**  
(Install with notches down.)

FUSE PLATE DATA		
N = Bolt Diameter	G	H
1/2"	2"	1 1/8"
5/8"	2 1/4"	1 1/4"
3/4"	2 1/2"	1 3/8"
7/8"	2 3/4"	1 1/2"
1"	3"	1 5/8"
1 1/8"	3 1/4"	1 3/4"
1 1/4"	3 1/2"	1 7/8"



**DETAIL H**



**STIFFENER PLATE DETAIL**

**GENERAL NOTES**

Posts shall be plumbed by using shims with post-to-stub post connection bolts snug tight only. Final tightening of all High Strength Bolts shall be in accordance with Article 727.05 and threads at the junction of the bolt and nut shall be burred or center punched to prevent the nut from loosening.

LOADING: 80 m.p.h. wind with 30% gust factor, normal to sign.

DESIGN STRESSES:  
Structural steel - 20,000 p.s.i.  
Reinforcing steel - 20,000 p.s.i.  
Concrete - 1,400 p.s.i.  
Footing soil pressure - 2,000 p.s.f.

After fabrication, the post, fuse plate and upper 6", min. of the stub post shall be hot-dip galvanized in accordance with AASHTO M11. All bolts, nuts and washers shall be hot-dip galvanized in accordance with AASHTO M232.

Work this sheet with Base Sheet BAW-A-2.

BAW-A-1

6-1-12

(Sheet 1 of 2)

FILE NAME =	USER NAME =	DESIGNED -	REVISIONS	<b>STATE OF ILLINOIS DEPARTMENT OF TRANSPORTATION</b>	<b>BREAK-AWAY WIDE FLANGE STEEL SIGN POST DETAILS</b>	F.A. RTE.	SECTION	COUNTY	TOTAL SHEETS	SHEET NO.	
		CHECKED -	REVISIONS			CONTRACT NO.					
		DRAWN -	REVISIONS			ILLINOIS FED. AID PROJECT					
		CHECKED -	REVISIONS			SHEET NO. OF SHEETS					

USER NAME =	DESIGNED -	REVISIONS
	DRAWN -	REVISIONS
PLOT SCALE = 100,0000' / 1in.	CHECKED -	REVISIONS
PLOT DATE =	DATE -	REVISIONS

**STATE OF ILLINOIS  
DEPARTMENT OF TRANSPORTATION**

**SIGN PANEL DETAILS**

SCALE: SHEET OF SHEETS STA. TO STA.

F.A. RTE.	SECTION	COUNTY	TOTAL SHEETS	SHEET NO.
VAR.	VARIOUS	PEO/TAZ	44	41
CONTRACT NO. 68B07				
ILLINOIS FED. AID PROJECT				