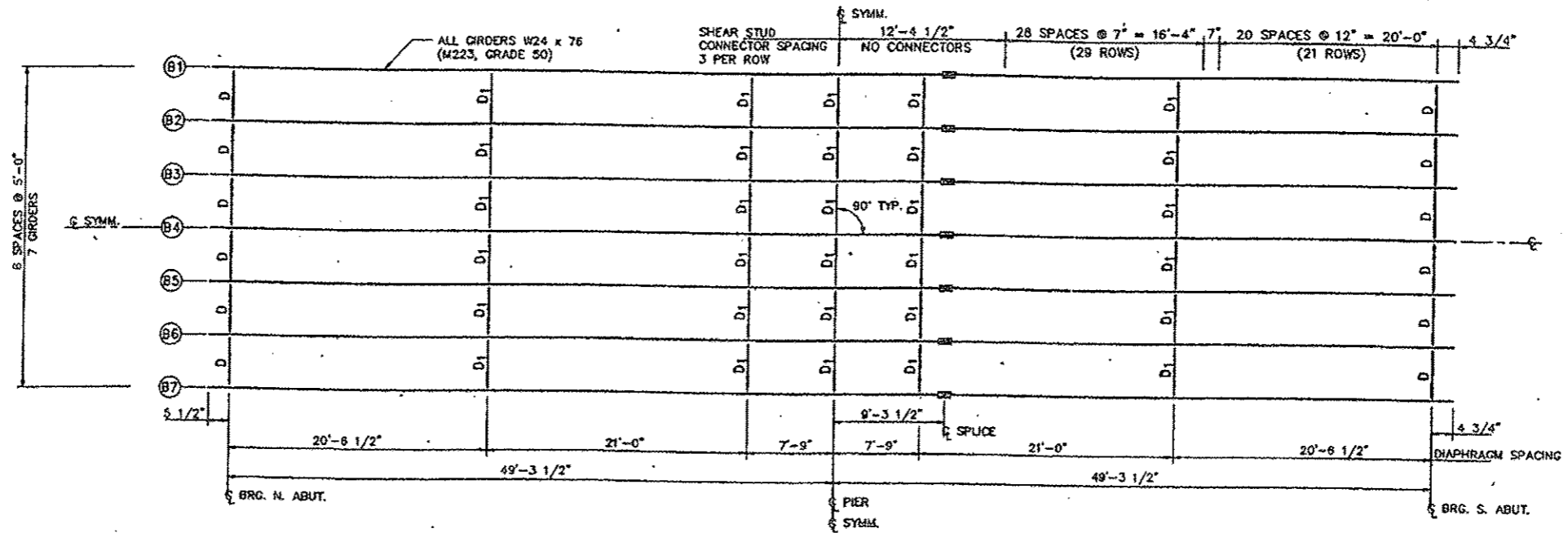
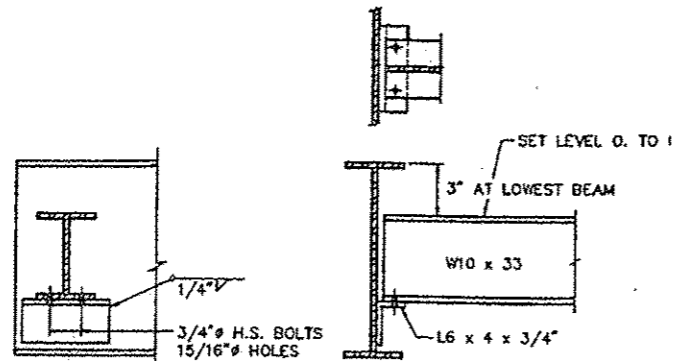


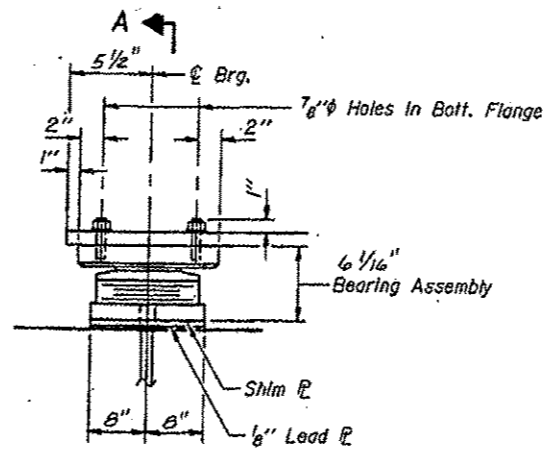
LOCATION 1 S.N. 036-0022 INFORMATION ONLY



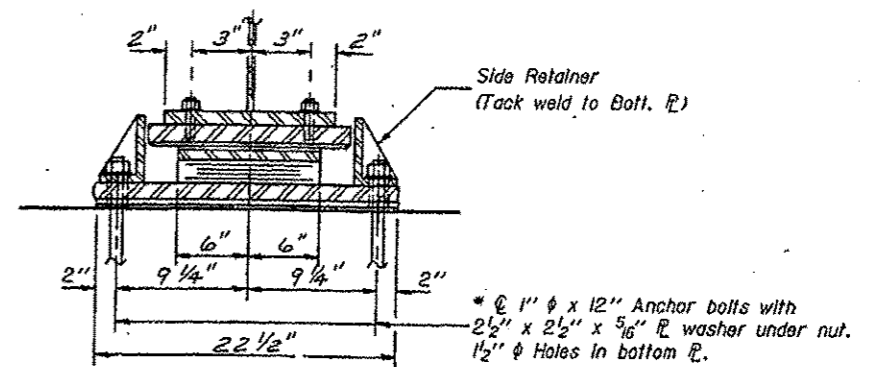
GIRDER LAYOUT



DIAPHRAGM D
12 REQUIRED



ELEVATION AT EA ABUT.
(14 Required)



SECTION A-A

P.R.E NAME March 2013 Metalize.dgn	USER NAME * DEFAULT	DESIGNED ---	REVISED ---	STATE OF ILLINOIS DEPARTMENT OF TRANSPORTATION	LOCATION 1 FRAMING PLAN, DIAPHRAGMS & BEARINGS INFORMATION ONLY	SECTION var D4 Bridge Metalizing 2013	COUNTY Various	TOTAL SHEETS ---	SHEET NO. 3	
MODELNAME	PLOT SCALE * 8.0288' / in.	CHECKED ---	REVISOR ---	SCALE: _____ SHEET _____ OF _____ SHEETS STA. _____ TO STA. _____		CONTRACT NO. 68B25		ILLINOIS FED. AID PROJECT		
	PLOT DATE * 12/11/2012	DATE ---	REVISOR ---							