

LIMITS OF IMPROVEMENT SECTION BEGINS AT STA. 285+50.00 PROP. BUTT JOINT

50' PVT. MK. TRANS. EX. TO 11' LANES

PROP. AGG. WEDGE SHLDS., TY B

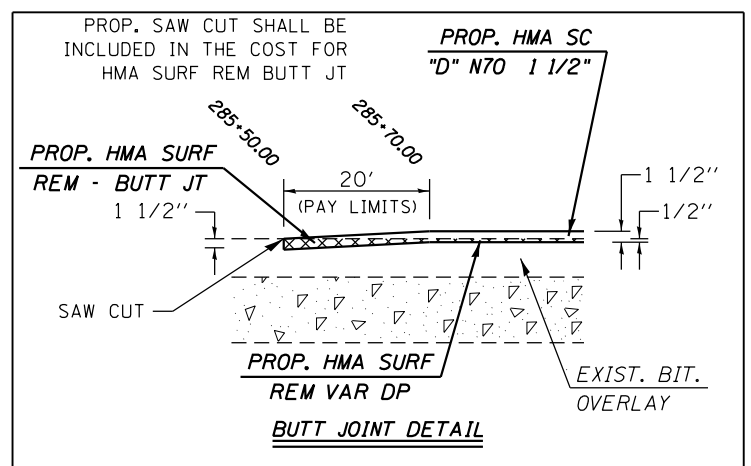
+72.63 13.25' LT.

+72.63 10.79' RT.

14:1 (654') TAPER

30' TYP.

MATCHLINE STA. 290+00.00



BUTT JOINT DETAIL

FILE NAME =	USER NAME = sparksgw	DESIGNED -	REVISED -
ct:\pw\work\p\dot\sparksgw\10259630\PLA\eng.dgn		DRAWN -	REVISED -
Default	PLOT SCALE = 40.0000' / in.	CHECKED -	REVISED -
	PLOT DATE = Dec-14-2012 03:45:18PM	DATE -	REVISED -

STATE OF ILLINOIS
DEPARTMENT OF TRANSPORTATION

PLAN SHEET			
SCALE: 20	SHEET 1	OF 29 SHEETS	STA. 284+00.00 TO STA. 290+00.00

• FAP 63 (US 24); FAP 63 (US 24/IL 96); FAP 506 (IL 96)			
F.A.P. RTE.	SECTION	COUNTY	TOTAL SHEETS
	(1)N,TS-2RS-5&(78)RS-3	ADAMS	194
CONTRACT NO.			SHEET NO.
72E31			55
ILLINOIS FED. AID PROJECT			