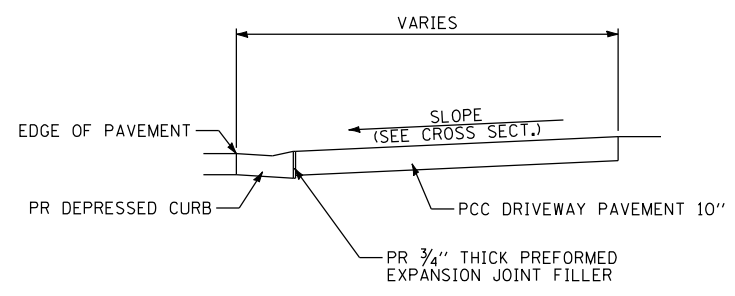
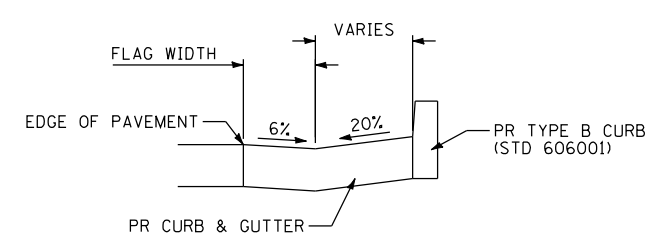


PLAN



SECTION A-A

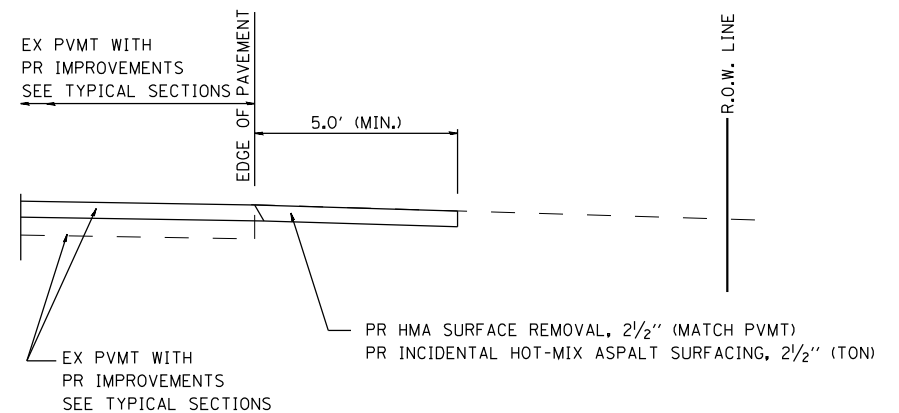
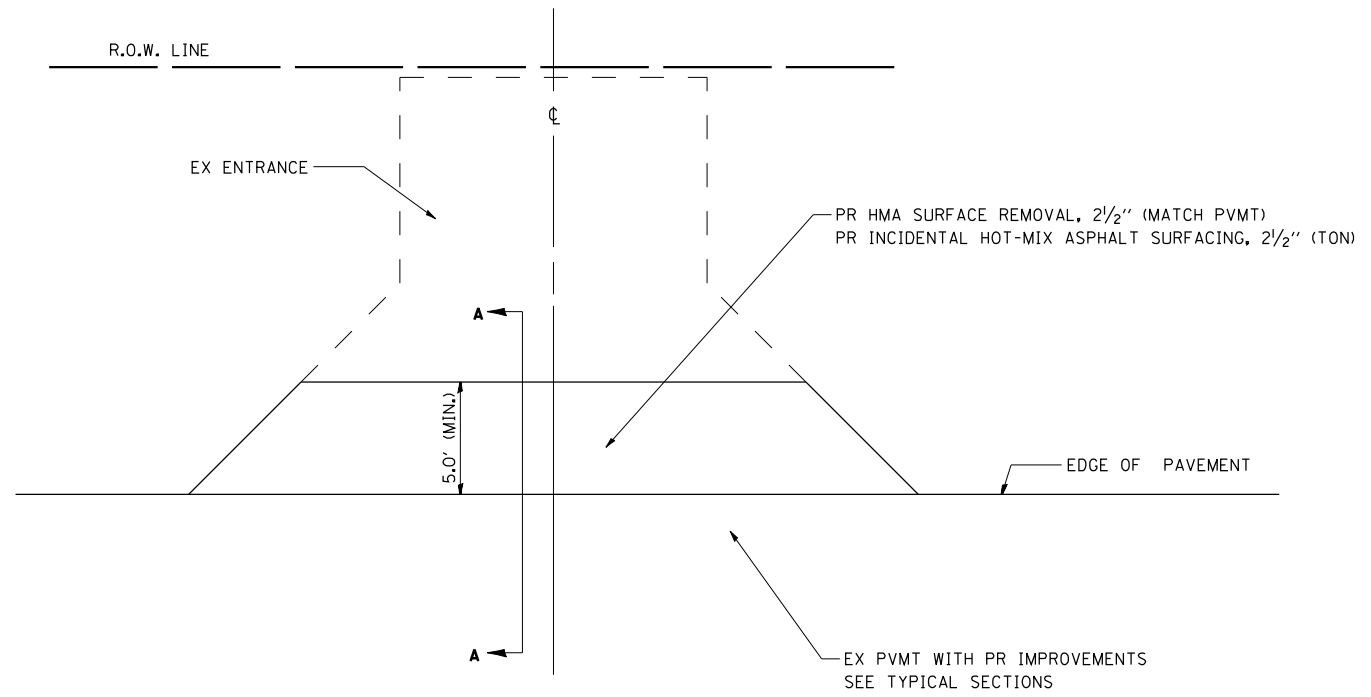


SECTION B-B

ENTRANCE DETAIL

NOT TO SCALE

NOTE: THE COST OF FURNISHING AND INSTALLING THE 3/4" PREFORMED EXPANSION JOINT AND REINFORCEMENT BARS SHALL BE INCLUDED IN THE COST OF THE PCC DRIVEWAY PAVEMENT



SECTION A-A FOR EX HOT-MIX ASPHALT

GENERAL NOTES:

THE RESIDENT ENGINEER WILL DETERMINE THE EXACT TYPE OF IMPROVEMENT TO BE COMPLETED FOR ALL ENTRANCES ON THIS PROJECT.

THE PLAN DETAILS AND SCHEDULES SHOULD BE USED AS A GUIDE FOR THE ENGINEER TO IMPLEMENT THE FINAL DESIGN.

HOT-MIX ASPHALT REQUIRED TO CONSTRUCT THE ENTRANCES SHALL BE IN ACCORDANCE WITH THE APPLICABLE PORTIONS OF SECTION 406 AND 408 OF THE STANDARD SPECIFICATIONS AND AS DIRECTED BY THE ENGINEER.

FILE NAME =	USER NAME = ebb	DESIGNED -	REVISED -
qr:\08files\080224\wo 3 - il 57 and 1d road\cadd sheets\0672F46-sht-Details.dgn		DRAWN -	REVISED -
		CHECKED -	REVISED -
		DATE -	REVISED -

**STATE OF ILLINOIS
DEPARTMENT OF TRANSPORTATION**

ENTRANCE DETAILS

SCALE: none SHEET NO. 1 OF 1 SHEETS STA. TO STA.

F.A.P. RTE.	SECTION	COUNTY	TOTAL SHEETS	SHEET NO.
502	(53) N-1	ADAMS	20	14
CONTRACT NO. 72F46				
FED. ROAD DIST. NO. 6 ILLINOIS FED. AID PROJECT				