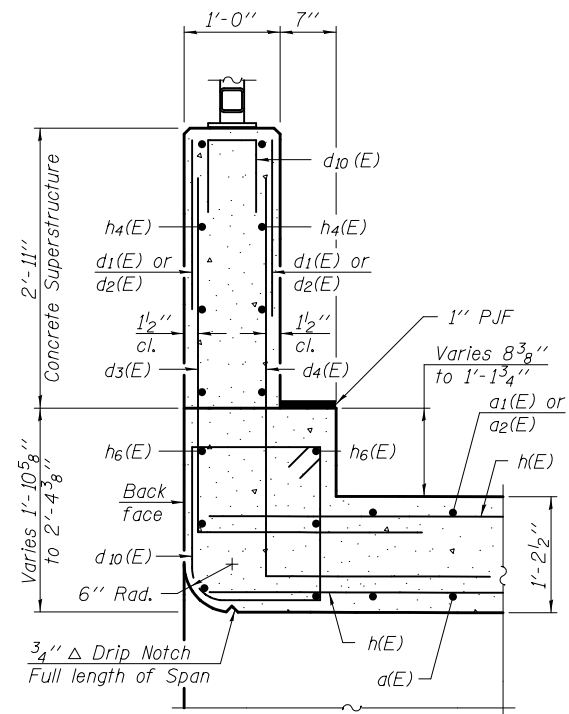
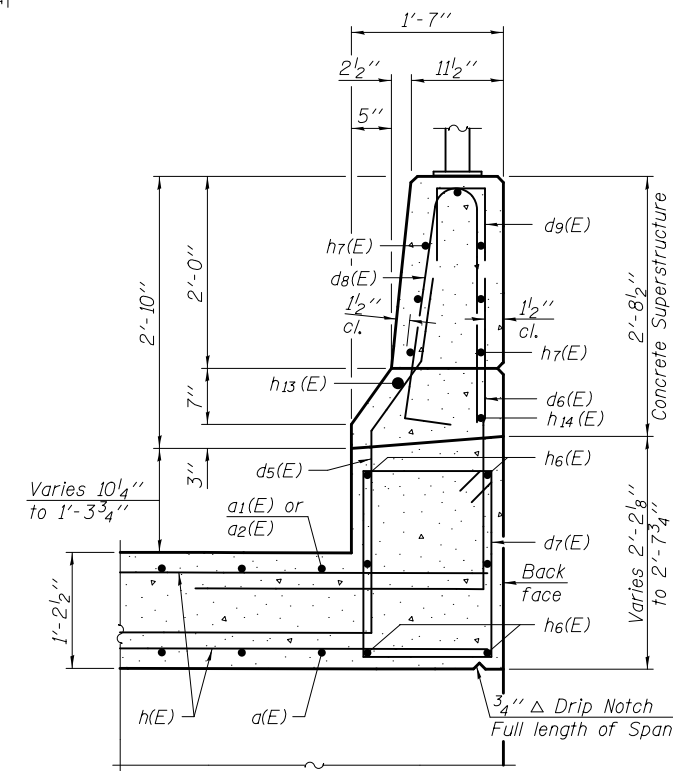


LONGITUDINAL SECTION



DETAIL A



DETAIL B

MINIMUM BAR LAP
(Interior and exterior walls)
#5 bar = 2'-7"

DESIGNED - SEAN CHAU
CHECKED - PAUL GURKLYS
DRAWN - MICHAEL B. MOSSMAN
CHECKED - S.C. / P.G.

EXAMINED
PASSED
ACTING ENGINEER OF BRIDGES AND STRUCTURES

DATE - FEBRUARY 1, 2013
REVISED
REVISED

STATE OF ILLINOIS
DEPARTMENT OF TRANSPORTATION

CULVERT DETAILS - LONGITUDINAL SECTION & DETAILS
STRUCTURE NO. 060 - 2051

SHEET NO. 5 OF 12 SHEETS

F.A.P. RTE.	SECTION	COUNTY	TOTAL SHEETS	SHEET NO.
785	136-BR	MADISON	58	38
CONTRACT NO. 76D49				

ILLINOIS FED. AID PROJECT