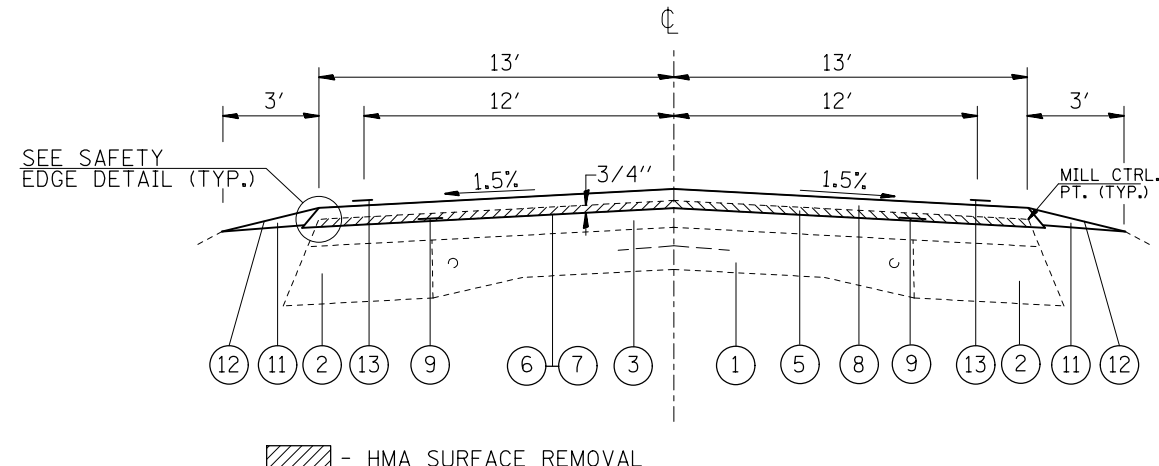


TYPICAL SECTION (IL 143)

(TANGENT SECTION)

M.P. 0.00 TO M.P. 0.10



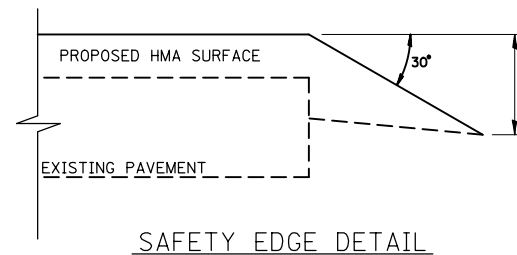
TYPICAL SECTION (IL 143)

(TANGENT SECTION)

- M.P. 0.10 TO M.P. 0.82
- M.P. 0.93 TO M.P. 1.12
- M.P. 1.25 TO M.P. 1.38
- M.P. 1.55 TO M.P. 1.85
- M.P. 1.97 TO M.P. 2.14
- M.P. 2.33 TO M.P. 2.46
- M.P. 2.59 TO M.P. 2.66
- M.P. 2.79 TO M.P. 3.23
- M.P. 3.25 TO M.P. 3.91
- M.P. 4.03 TO M.P. 4.90
- M.P. 4.91 TO M.P. 5.66
- M.P. 6.66 TO M.P. 6.87
- M.P. 7.12 TO M.P. 7.92

LEGEND

- ① EXISTING PAVEMENT 9-6-9
- ② EXISTING HMA WIDENING
- ③ EXISTING HMA RESURFACING, ±5"
- ④ EXISTING HMA SHOULDERS
- ⑤ PROPOSED HMA SURFACE REMOVAL
- ⑥ PROPOSED BITUMINOUS MATERIALS (PRIME COAT)
- ⑦ PROPOSED AGGREGATE (PRIME COAT)
- ⑧ PROPOSED HMA SURFACE COURSE 2 1/4"
- ⑨ PROPOSED STRIP REFLECTIVE CRACK CONTROL TREATMENT
- ⑩ PROPOSED HMA SHOULDERS, 2 1/4"
- ⑪ PROPOSED AGGREGATE WEDGE SHOULDER, TYPE B
- ⑫ PROPOSED BITUMINOUS MATERIALS (COVER AND SEAL COATS)
- ⑬ PROPOSED THERMOPLASTIC PAVEMENT MARKING



FILE NAME =	USER NAME = dntelmenjn	DESIGNED -	REVISED -
et:\pw\work\p\dot\dntelmenjn\1\0281732\p876f27-shr-plan.dgn		DRAWN -	REVISED -
	PLOT SCALE = 100.0000' / in.	CHECKED -	REVISED -
	PLOT DATE = 12/14/2012	DATE -	REVISED -

**STATE OF ILLINOIS
DEPARTMENT OF TRANSPORTATION**

TYPICAL SECTIONS

SCALE: SHEET NO. 1 OF 2 SHEETS STA. TO STA.

F.A.P. RTE.	SECTION	COUNTY	TOTAL SHEETS	SHEET NO.
789	(54,58,68) RS-4	MADISON	44	9
CONTRACT NO. 76F27				
FED. ROAD DIST. NO. ILLINOIS FED. AID PROJECT				