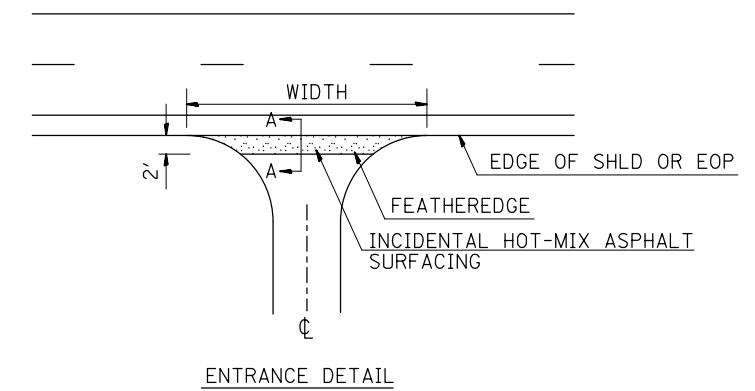
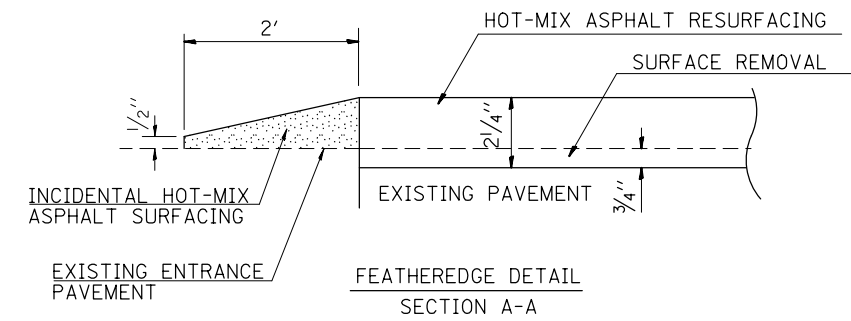


TYPICAL SECTION AT MAILBOX TURNOUT

NOTE: SEE STANDARD 406201 FOR MAILBOX TURNOUT DETAILS



USER NAME = dntelmerjn	DESIGNED -	REVISED -	STATE OF ILLINOIS DEPARTMENT OF TRANSPORTATION	BIKE TRAIL AND RESURFACING DETAILS			F.A.P. RTE.	SECTION	COUNTY	TOTAL SHEETS	SHEET NO.
PLOT SCALE = 100.0000' / in.	DRAWN -	REVISED -					789	(54,58,68) RS-4	MADISON	44	26
PLOT DATE = 12/14/2012	CHECKED -	REVISED -		SCALE: SHEET NO. OF SHEETS STA. TO STA.			CONTRACT NO. 76F27				
	DATE -	REVISED -					FED. ROAD DIST. NO. ILLINOIS FED. AID PROJECT				