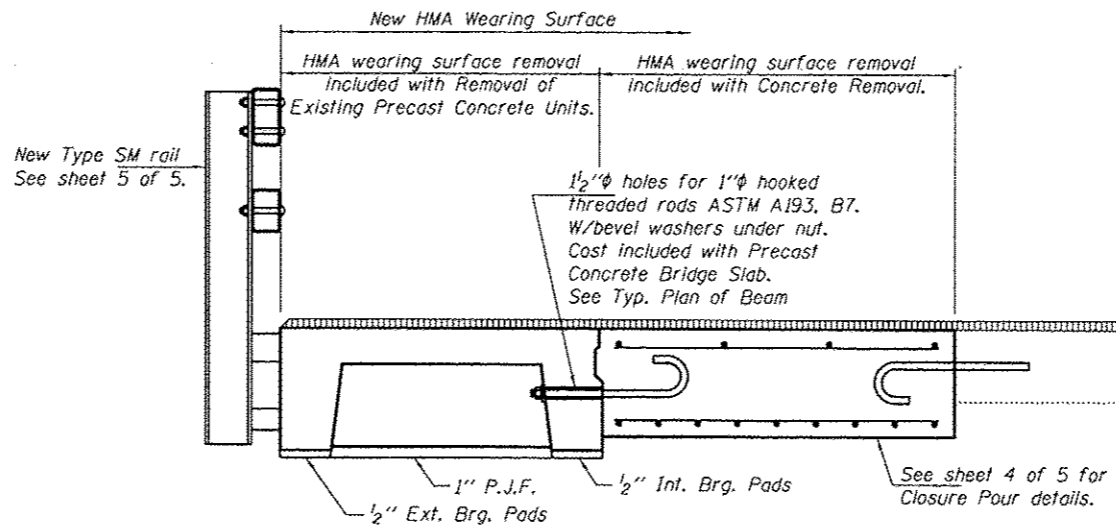
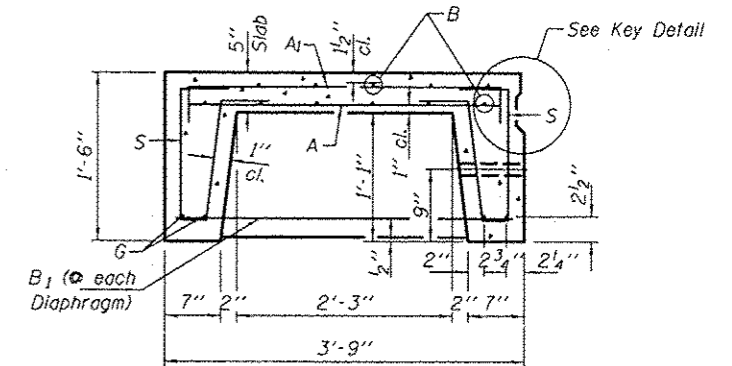


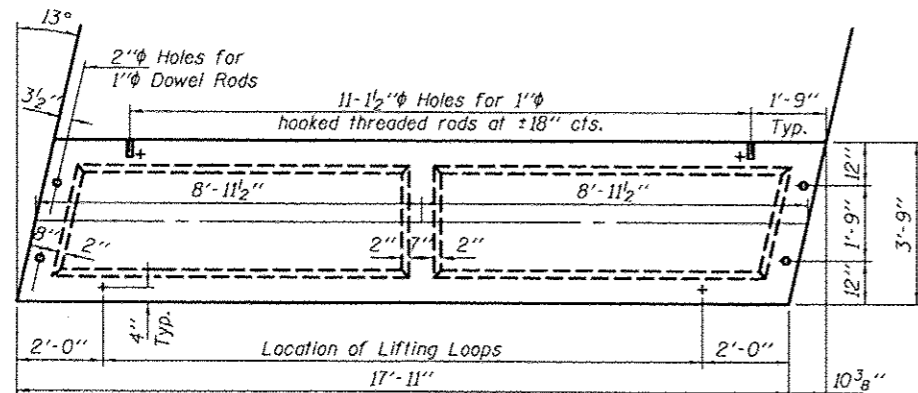
ELEVATION
Showing rail post spacing



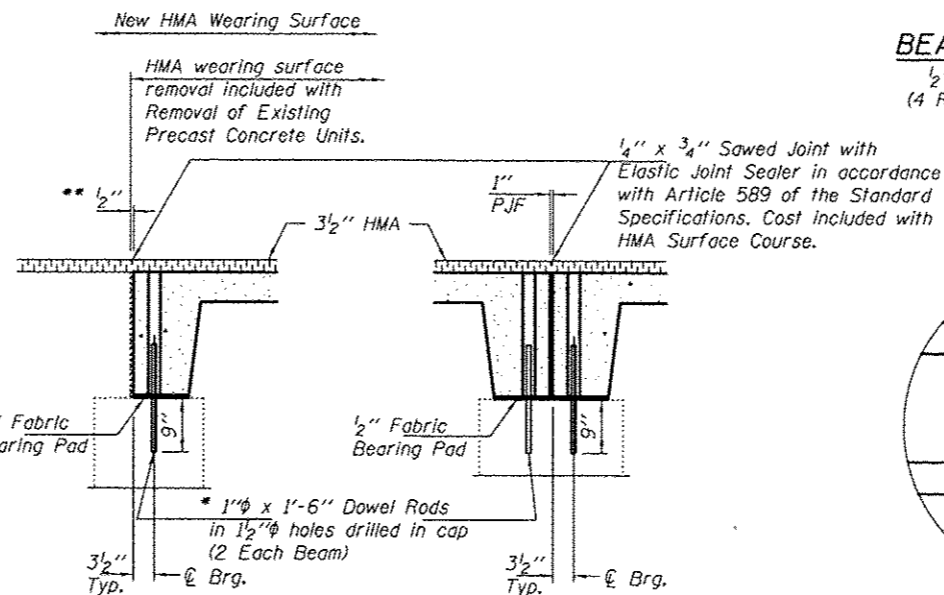
PARTIAL CROSS SECTION



TYPICAL SECTION THRU BEAM

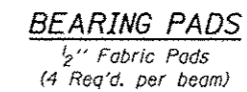


TYPICAL PLAN OF BEAM

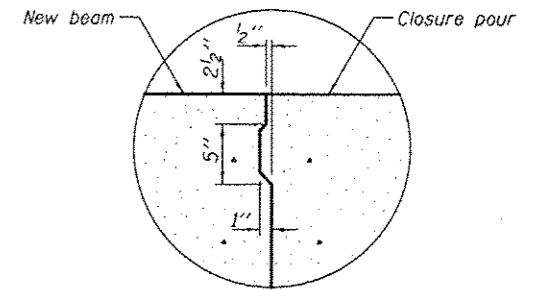


SECTION THRU APPROACH CAP
(At Rt. Ls)

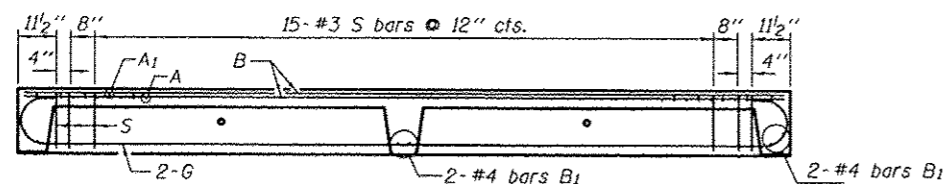
SECTION THRU ABUTMENT
(At Rt. Ls)



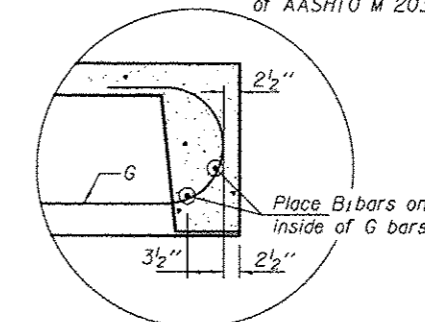
BEARING PADS
1/2" Fabric Pads
(4 Req'd. per beam)



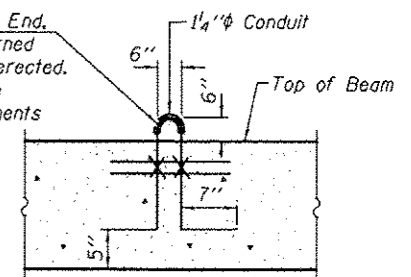
KEY DETAIL



LONGITUDINAL SECTION

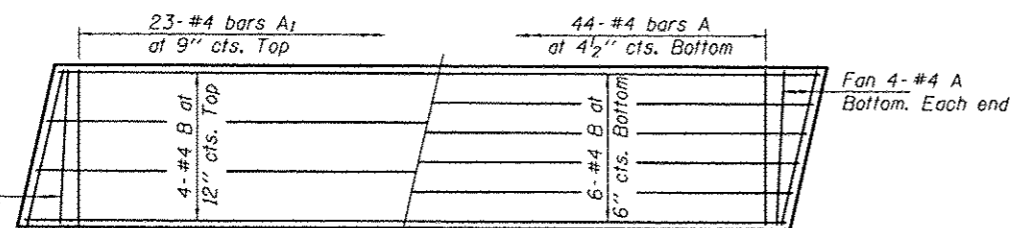


DETAIL A



LIFTING LOOP

Approved alternate may be substituted for the above.

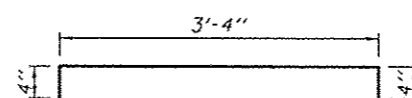


PLAN
Showing Slab Reinforcement

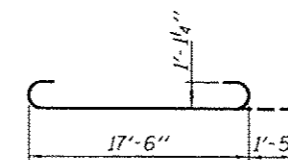
* Existing dowel rods are to be burned off, ground flush, and sealed with epoxy prior to placement of new beams. Cost included in Removal of Existing Precast Concrete Units. After beams have been erected holes shall be drilled into cap and dowel rods placed. Dowel holes shall be filled with non-shrink grout to top of beam and allowed to cure a minimum of 24 hours prior to grouting the shear keys.

Note: The surface of the member shall not deviate more than 1/1200 of the full length of the member from a straight line connecting the two end points on the member's surface. (See Special Provision Precast Concrete Structures)

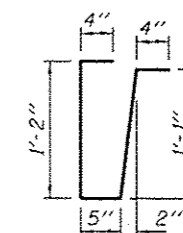
** 1/2" joint shall be packed with a very dry mix of 2:1 sand and P.C. Mortar. 1/2" dimension may vary plus or minus to accommodate tolerance in beam lengths.



BAR A1



BAR G



BAR S

*** BILL OF REINFORCEMENT BARS FOR ONE BEAM**

Bar	No.	Size	Length	Shape
A	52	#4	3'-3"	—
A1	27	#4	4'-0"	□
B	10	#4	17'-6"	—
B1	6	#4	3'-6"	—
G	4	#10	20'-4"	—
S	38	#3	3'-4"	U

*** ESTIMATED QUANTITIES FOR ONE BEAM**

	CONCRETE CU. YDS.	RE-BARS POUNDS
One Unit	2.3	710

* For information of suppliers of Precast Slab Units only.

DESIGNED VP
CHECKED VHV
DRAWN daliva
CHECKED VP VHV

EXAMINED
PASSED
ACTING ENGINEER OF BRIDGES AND STRUCTURES

DATE JANUARY 31, 2013
REVISED
REVISED

STATE OF ILLINOIS
DEPARTMENT OF TRANSPORTATION

APPROACH DETAILS
SN 060-0249

SHEET NO. 3 OF 5 SHEETS

F.A.P. RTE. SECTION COUNTY TOTAL SHEETS SHEET NO.
789 054,58,68/RS-4 MADISON 44 42
CONTRACT NO. 76F27
[ILLINOIS] FED. AID PROJECT