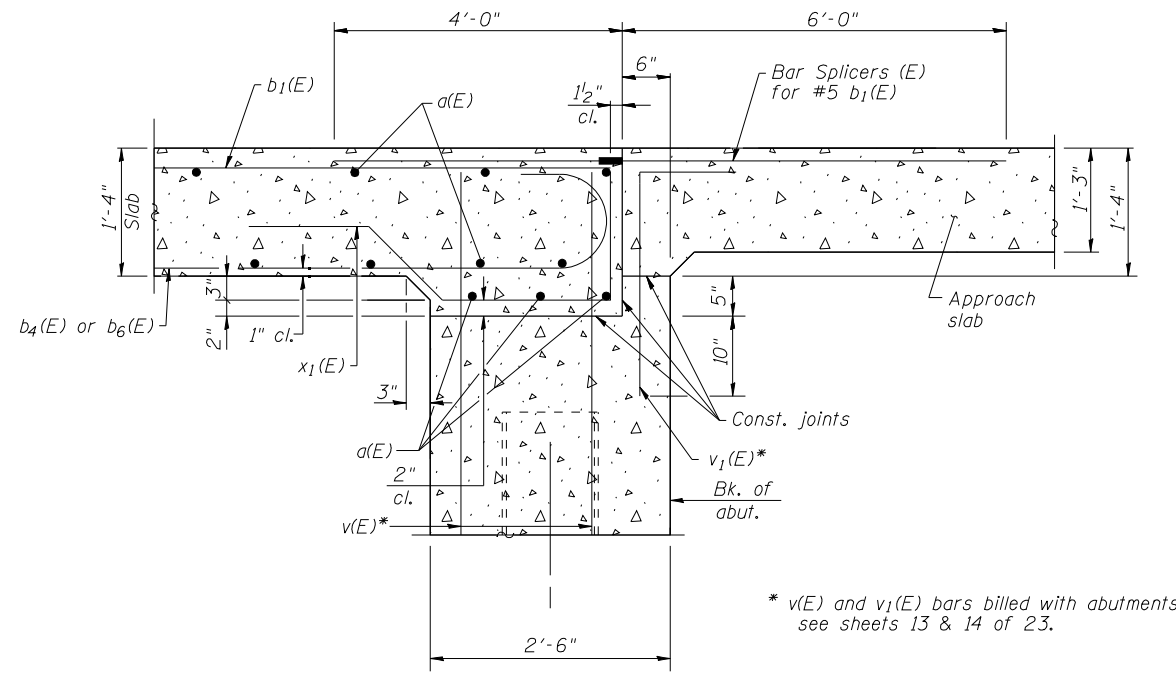


**SUPERSTRUCTURE
BILL OF MATERIAL**

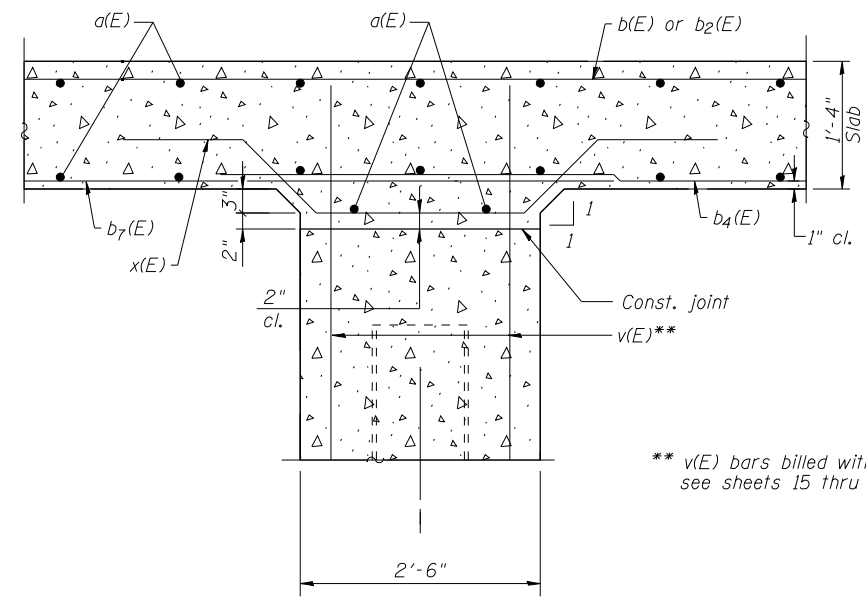
Bar	No.	Size	Length	Shape
a(E)	498	#5	21'-4"	—
a ₁ (E)	202	#6	6'-6"	—
b(E)	88	#8	32'-4"	—
b ₁ (E)	88	#5	8'-0"	—
b ₂ (E)	210	#8	8'-0"	—
b ₃ (E)	132	#8	31'-8"	—
b ₄ (E)	68	#8	25'-3"	—
b ₅ (E)	128	#8	15'-6"	—
b ₆ (E)	64	#8	18'-8"	—
b ₇ (E)	136	#8	31'-2"	—
d(E)	334	#5	5'-7"	⌋
d ₁ (E)	167	#5	8'-9"	⌋
d ₂ (E)	167	#5	8'-9"	⌋
e(E)	28	#4	8'-8"	—
e ₁ (E)	140	#4	13'-2"	—
e ₂ (E)	12	#4	27'-2"	—
e ₃ (E)	10	#8	34'-8"	—
x(E)	220	#5	6'-10"	—
x ₁ (E)	88	#5	5'-5"	—
Reinforcement Bars, Epoxy Coated		Pound	71040	
Concrete Superstructure		Cu. Yd.	373.0	
Bar Splicers		Each	333	

Bars indicated thus: 1x5-#8 etc. indicates 1 line of bars with 5 lengths per line.
For details of Bar Splicers, see sheet 21 of 23.
Name Plate to be mounted on inside face of parapet, see sheet 1 of 23.
See sheet 9 of 23 for bar bending details.



* v(E) and v₁(E) bars billed with abutments, see sheets 13 & 14 of 23.

SECTION A-A



** v(E) bars billed with piers, see sheets 15 thru 19 of 23.

SECTION B-B

PRINT DRIVER = L:\05-ESCA\B\11
SCALE NAME = PLOT
FILE NAME = 097-0078-0104-10-SP-01.dwg



USER NAME = has	DESIGNED - SHL/ELH 07/12	REVISED -
ESCA PROJECT NO. 988.11	CHECKED - RDP 10/12	REVISED -
PLOT SCALE = 0/2 ' / IN.	DRAWN - HAS 07/12	REVISED -
PLOT DATE = 10/31/2012 7:14:58 AM	CHECKED - SHL 10/12	REVISED -

**STATE OF ILLINOIS
DEPARTMENT OF TRANSPORTATION**

**SUPERSTRUCTURE DETAILS
STRUCTURE NO. 097-0078**

SHEET NO. 10 OF 23 SHEETS

F.A.P. RTE.	SECTION	COUNTY	TOTAL SHEETS	SHEET NO.
332	4B-1	WHITE	70	31
CONTRACT NO. 78154			ILLINOIS FED. AID PROJECT AID	