

**PIER 5
BILL OF MATERIAL**

Bar	No.	Size	Length	Shape
$h_4(E)$	52	#5	22'-3"	—
$p_1(E)$	14	#7	21'-3"	—
$s_2(E)$	250	#4	3'-3"	⌋
$s_3(E)$	38	#4	10'-5"	□
$u_1(E)$	26	#5	9'-4"	⌋
$u_2(E)$	6	#5	7'-8"	⌋
$v(E)$	44	#5	3'-8"	—
$v_6(E)$	3	#5	15'-4"	—
$v_7(E)$	44	#5	14'-6"	—
$v_8(E)$	47	#5	13'-7"	—
Structure Excavation	Cu. Yd.	10		
Concrete Structures	Cu. Yd.	62.8		
Reinforcement Bars, Epoxy Coated	Pound	4480		
Furnishing Steel Piles, HP14x73	Foot	760		
Driving Piles	Foot	760		
Bar Splicers	Each	33		

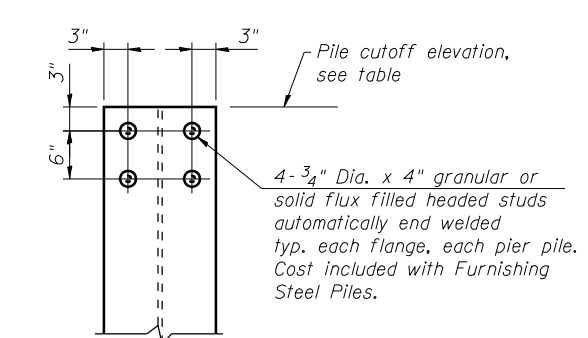
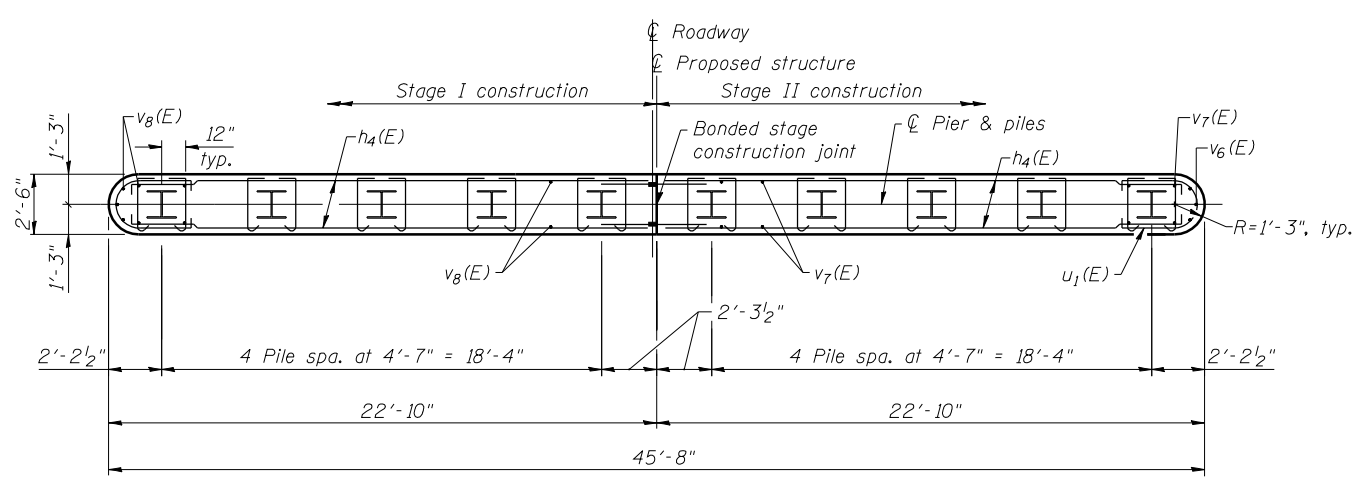
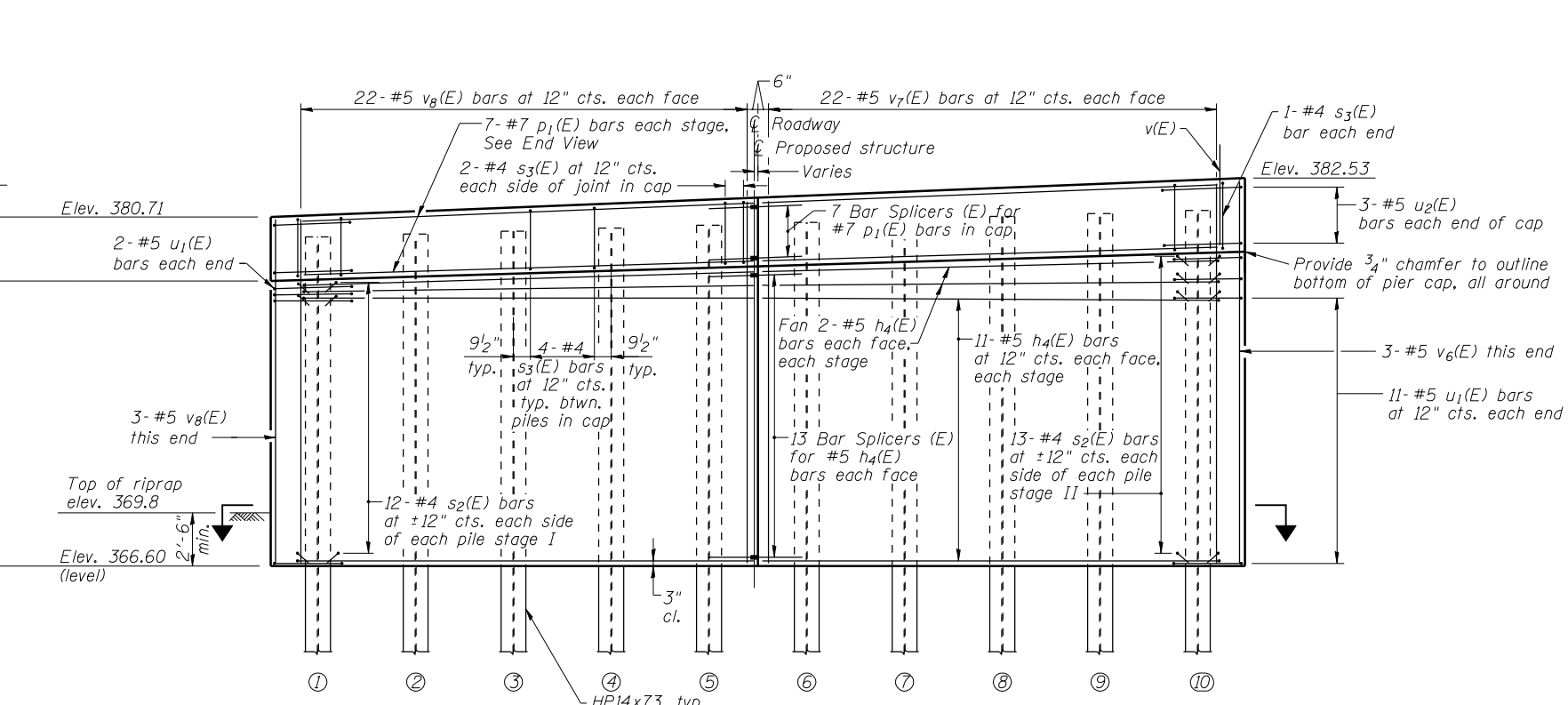
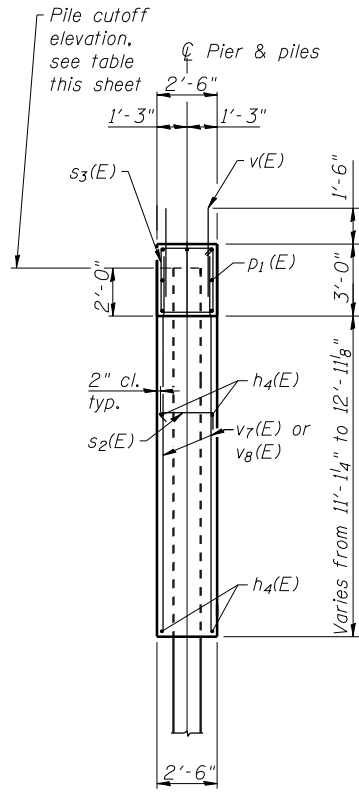
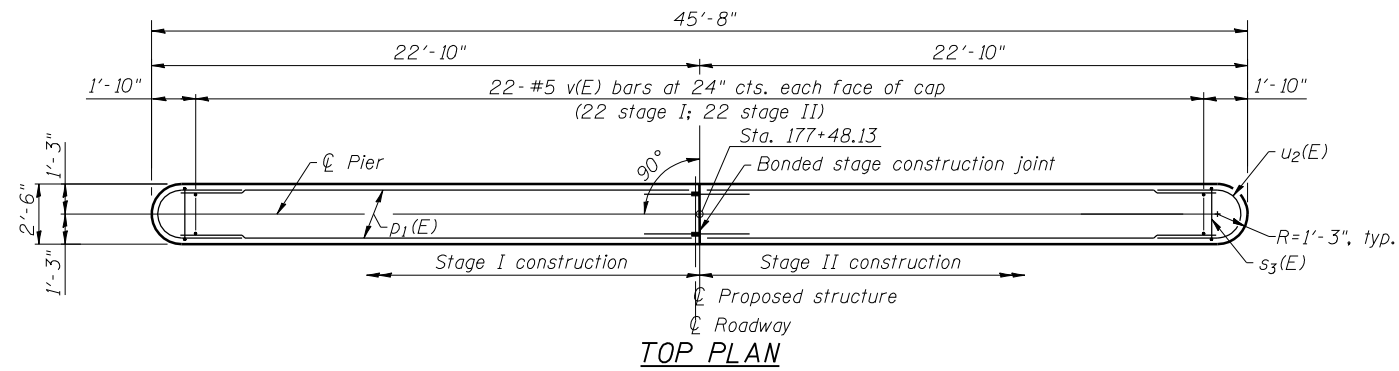
For details of piles and Concrete Encasement, see sheet 20 of 23.
For details of Bar Splicers, see sheet 21 of 23.
See sheet 15 of 23 for additional bar bending details.

PILE DATA

Type: Steel HP14x73
Nominal Required Bearing: 578 kips
Factored Resistance Available: 318 kips
Estimated Length: 76'
No. of Production Piles: 10
No. of Test Piles: 0

PILE CUTOFF TABLE

Pile No.	Cutoff Elevation
①	379.80
②	379.98
③	380.16
④	380.35
⑤	380.52
⑥	380.70
⑦	380.89
⑧	381.07
⑨	381.25
⑩	381.44



USER NAME = has	DESIGNED - ELH 08/12	REVISED -
ESCA PROJECT NO. 988.11	CHECKED - RDP 10/12	REVISED -
PLOT SCALE = 1/4" = 1'-0"	DRAWN - DWH/HAS 08/12	REVISED -
PLOT DATE = 10/31/2012 7:17:32 AM	CHECKED - ELH 10/12	REVISED -

**STATE OF ILLINOIS
DEPARTMENT OF TRANSPORTATION**

**PIER 5
STRUCTURE NO. 097-0078**
SHEET NO. 19 OF 23 SHEETS

F.A.P. RTE. 332	SECTION 4B-1	COUNTY WHITE	TOTAL SHEETS 70	SHEET NO. 40
ILLINOIS FED. AID PROJECT AID			CONTRACT NO. 78154	