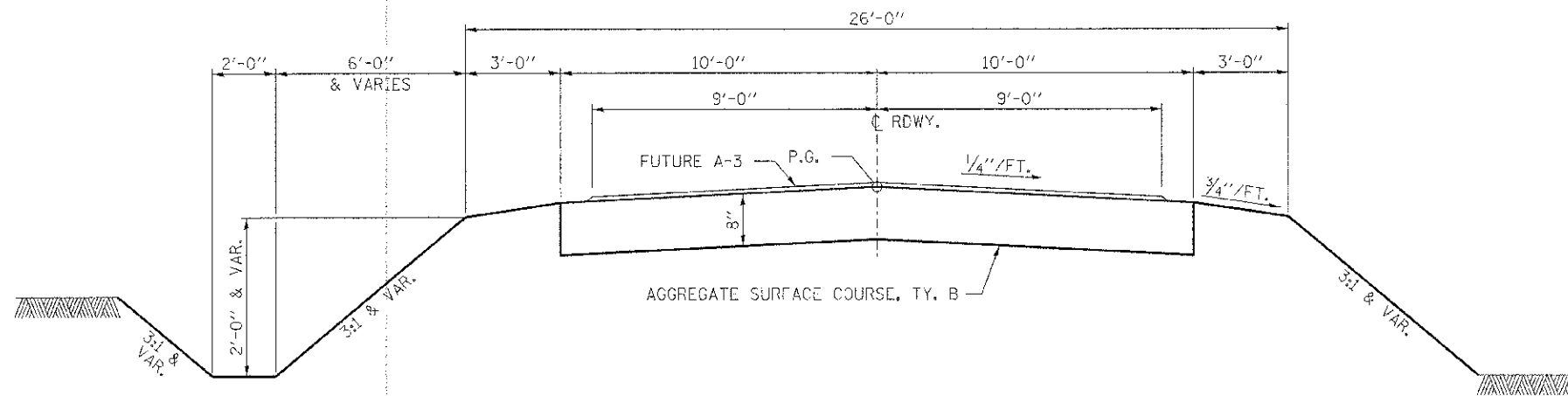


EXISTING CROSS SECTION
STA. 8+30 TO 12+00



PROPOSED TYPICAL CROSS SECTION
STA. 8+30 TO 12+00

SUGGESTED CUT SECTION
CONSTRUCT AS SHOWN IN
STATION CROSS SECTIONS

SUGGESTED FILL SECTION
CONSTRUCT AS SHOWN IN
STATION CROSS SECTIONS

TRANSITIONS FROM THE PROPOSED ROADWAY TO THE EXISTING
ROADWAY ARE TO BE CONSTRUCTED FROM STA. 8+30 TO 8+80 AND
STA. 11+50 TO 12+00. SEE SHEET 10 FOR TRANSITION AT BRIDGE.

FILE NAME = 110246-ah-typosections.dgn	USER NAME =	DESIGNED - J.W.F.	REVISED -	STATE OF ILLINOIS LIVINGSTON COUNTY HIGHWAY DEPARTMENT	TYPICAL CROSS SECTIONS			T.R.	SECTION	COUNTY	TOTAL SHEETS	SHEET NO.
HAMPTON, LENZINI AND RENWICK, INC. 290 S. SPRINGFIELD AVE., SUITE 200 SPRINGFIELD, ILLINOIS 62761	PLOT SCALE =	DRAWN - D.A.B.	REVISED -		29	11-16105-05-BR	LIVINGSTON	21	3			
ILLINOIS PROFESSIONAL ENGINEERING FIRM L31767-00-0000	PLOT DATE = 12/29/2012	CHECKED - S.W.M.	REVISED -		NEVADA ROAD DISTRICT			CONTRACT NO. 87536				
		DATE - 12/26/12	REVISED -		SCALE:	SHEET NO. 1 OF 1 SHEETS	STA.	TO STA.		ILLINOIS FED. AID PROJECT		