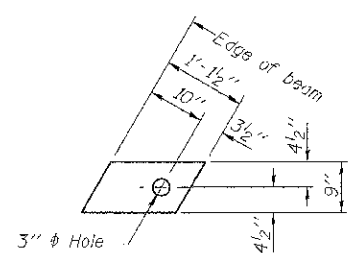


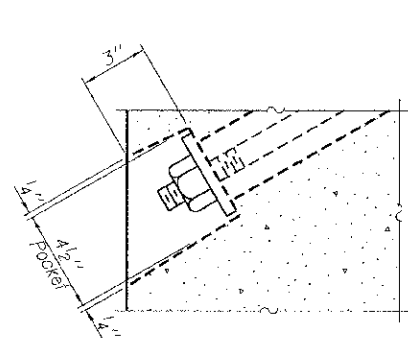
**FABRIC BEARING PAD**  
(Interior - 16 Req'd)



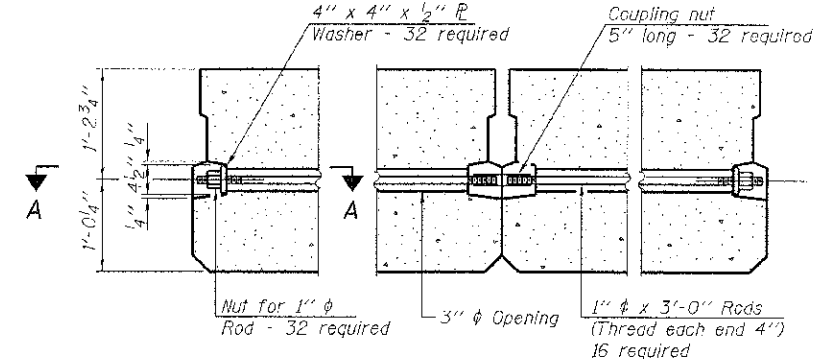
**FABRIC BEARING PAD**  
(Exterior - 4 Req'd)

**FIXED**

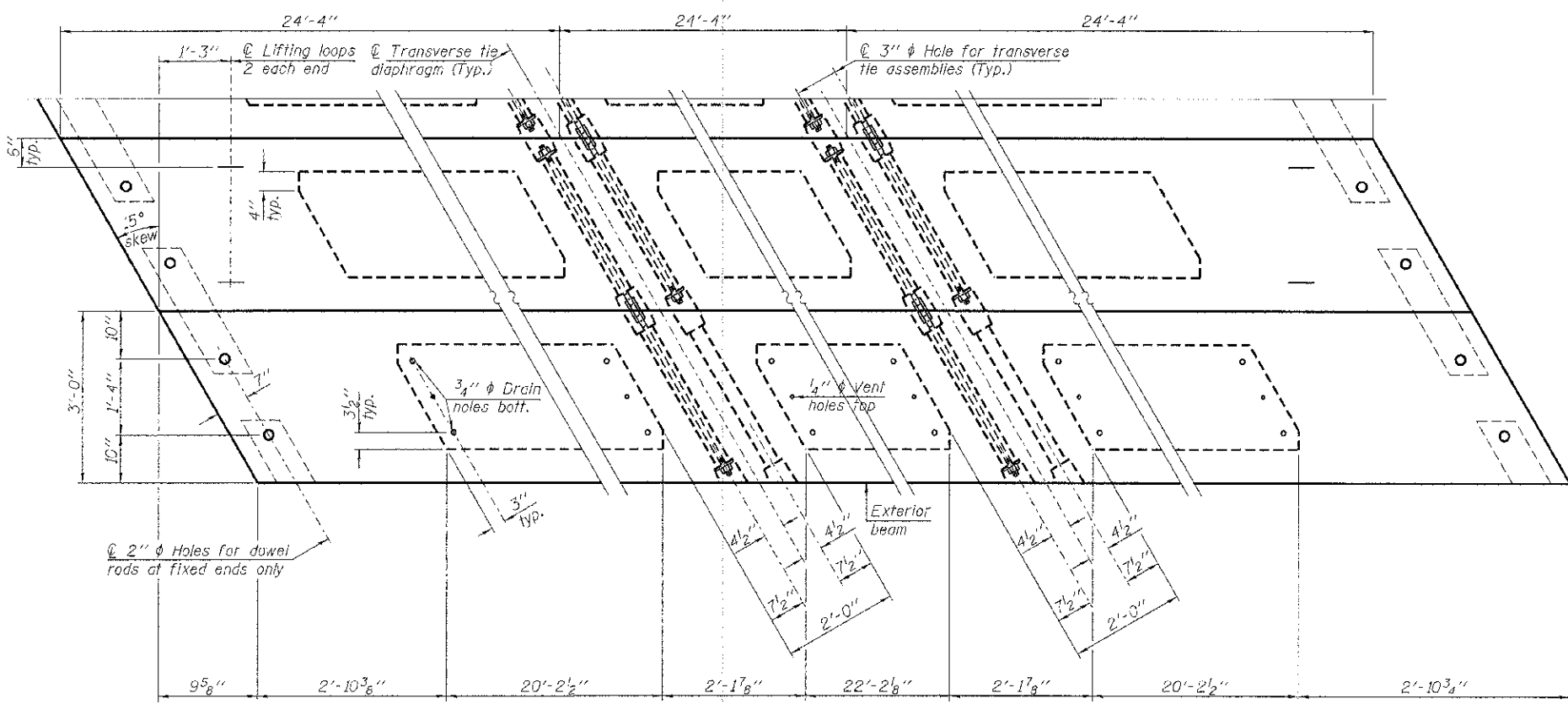
Notes:  
All bearing pads shall be 1" thick.  
Omit holes when using expansion bearings.  
Expansion bearing pad shall be bonded to the substructure.



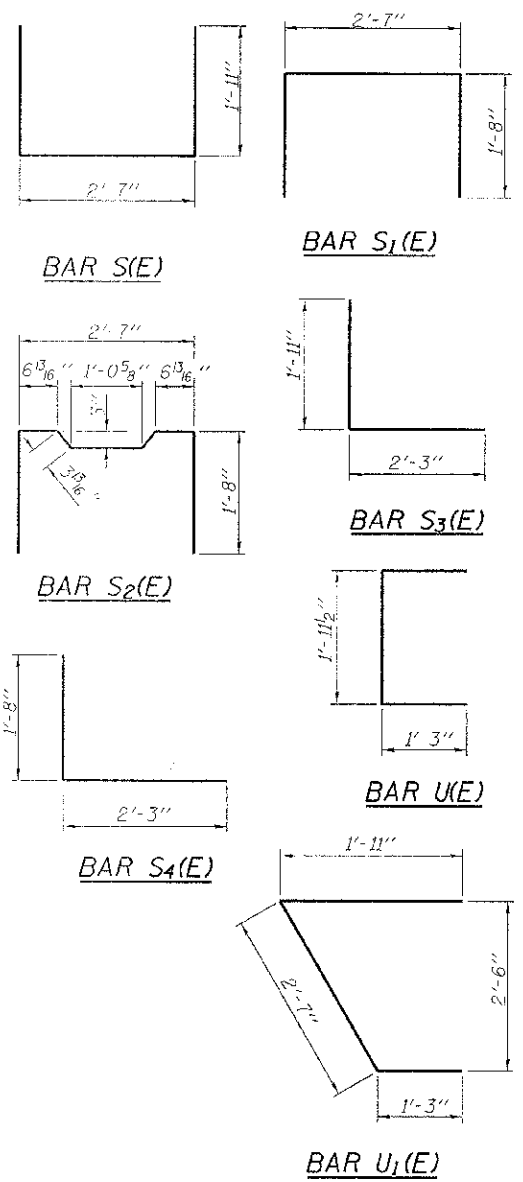
**SECTION A-A**



**TYPICAL TRANSVERSE TIE ASSEMBLY**

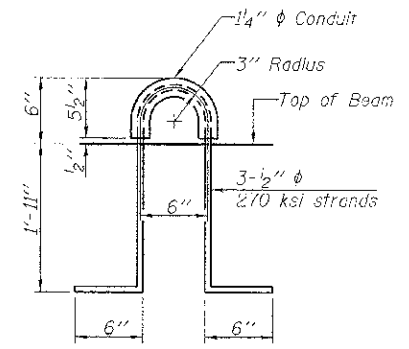


**PLAN VIEW**



**BILL OF MATERIAL**

Precast Prestressed Conc. Deck Bms. (27" depth)	Sq. Ft.	1.971
---	---------	-------



**LIFTING LOOP DETAIL**

**NOTES**

Prestressing steel shall be uncoated high strength, low relaxation 7-wire strand, Grade 270. The nominal diameter shall be 1/2" and the nominal cross-sectional area shall be 0.153 sq. in. The 1" diameter rods in the transverse tie assembly shall be tightened to a snug fit and the threads set. Pockets on exterior faces of bridge shall be filled with grout after transverse tie assembly is in place.  
Reinforcement bars shall conform to ASTM A 706, Grade 60. (See Special Provisions).  
Two 1/8" fabric adjusting shims of the dimensions of the exterior bearing pad shall be provided for each bearing pad location.  
A minimum 2 1/2" diameter lifting pin shall be used to engage the lifting loops during handling.  
Corrosion Inhibitor, per Article 1020.05(b)(12) and 1021.07 of the Standard Specifications, shall be used in the concrete for precast prestressed concrete deck beams.  
Compressive strength of prestressed concrete, f'c, shall be 6000 psi.  
Compressive strength of prestressed concrete at release, f'ci, shall be 5000 psi.  
All reinforcement shall be epoxy coated.

Note: Connect beams in pairs with the transverse tie configuration shown.

PD-2736-RD 7-1 10

FILE NAME = 11R246-shc-bridge.dgn	USER NAME =	DESIGNED - D.A.B.	REVISED -	<b>STATE OF ILLINOIS LIVINGSTON COUNTY HIGHWAY DEPARTMENT</b>	<b>27" x 36" PPC DECK BEAM DETAILS STRUCTURE NO. 053-4207</b>	T.R.	SECTION	COUNTY	TOTAL SHEETS	SHEET NO.	
HAMPTON, LENZINI AND RENWICK, INC. 200 STEVENSON DRIVE, SUITE 201 SPRINGFIELD, ILLINOIS 62761	PLOT SCALE =	CHECKED - S.W.M.	REVISED -			29	11-16105-05-BR	LIVINGSTON	21	12	
ILLINOIS PROFESSIONAL DESIGNER LSI/PE/SE/CE/CFE	PLOT DATE = 12/28/2012	DRAWN - D.A.B.	REVISED -			NEVADA ROAD DISTRICT					CONTRACT NO. 87536
		CHECKED - S.W.M.	REVISED -								ILLINOIS FED. AID PROJECT