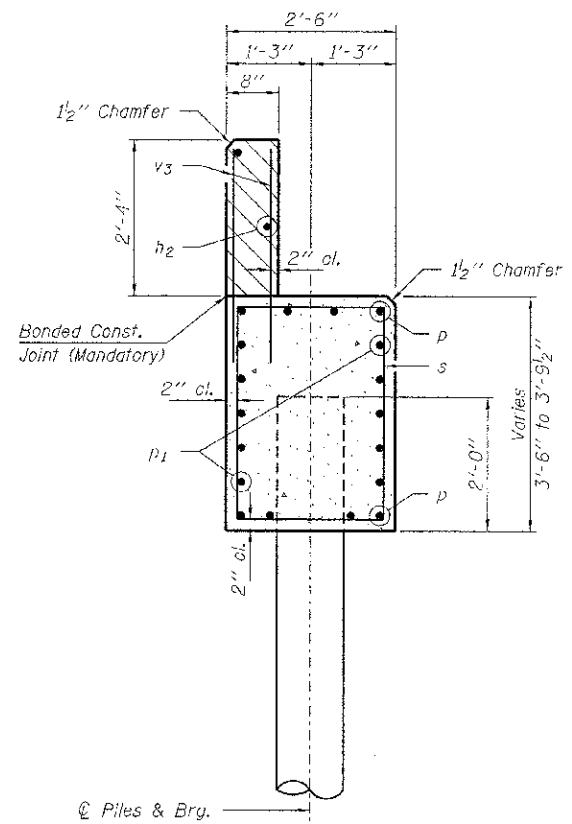
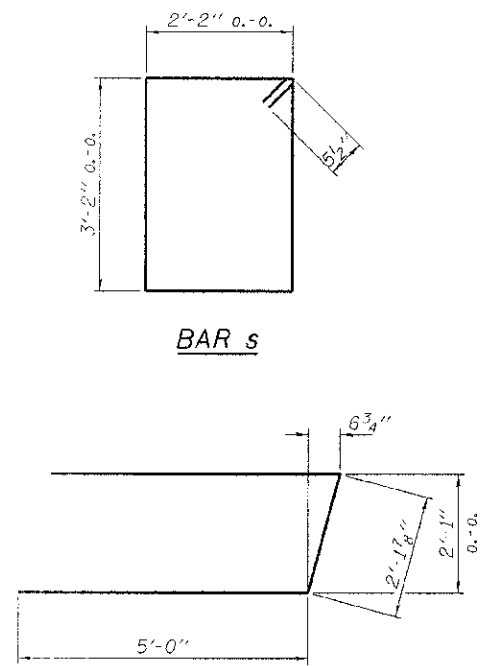


PLAN



SECTION A-A

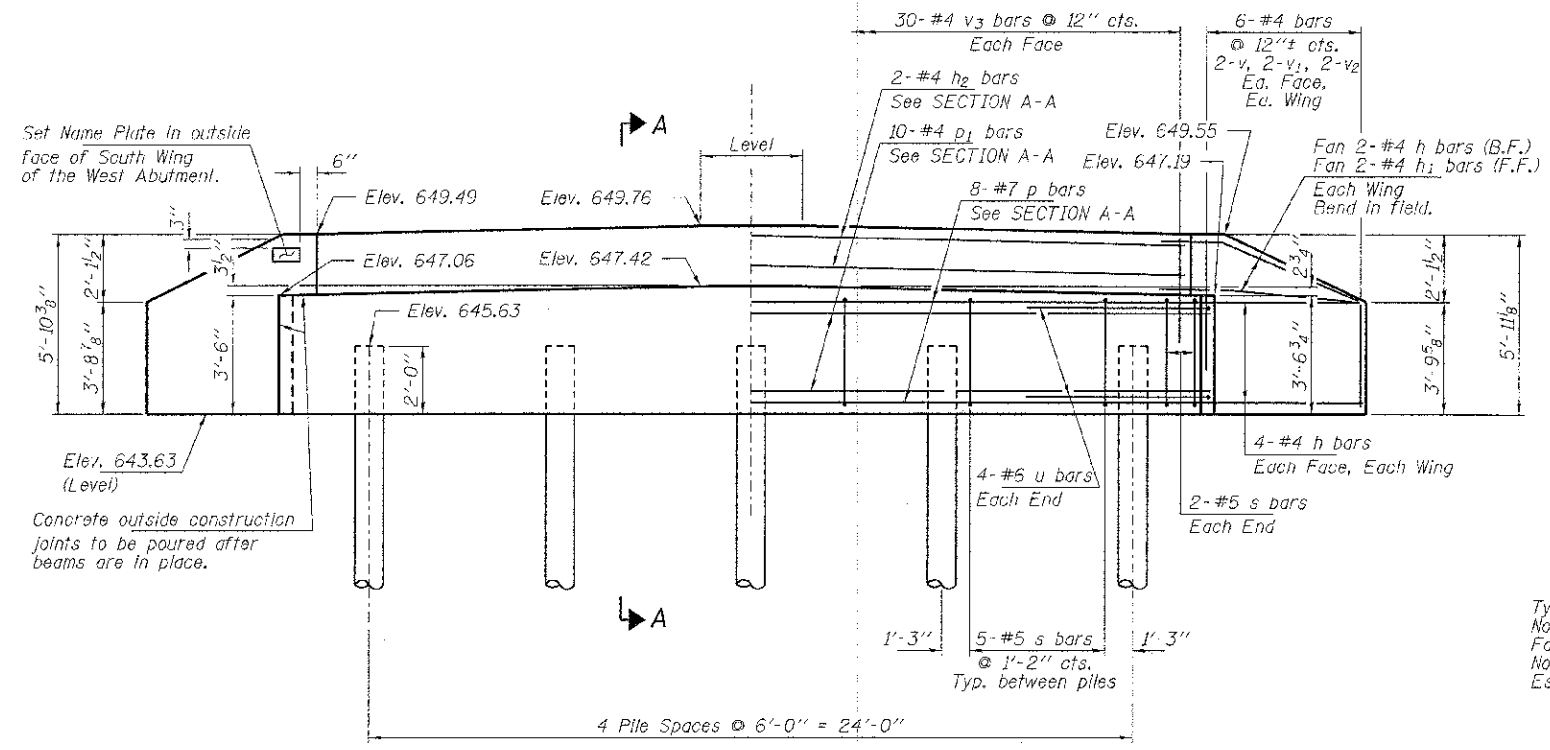
Hatched area to be poured after beams are in place.



BAR s

BAR u

Note: Extend h bars into abutment cap.



ELEVATION
(Looking West)

PILE DATA

Type ----- Metal Shells 12"x0.25"
 No. Req'd. (W. Abut.) ----- 5
 Factored Resistance Available (Rf) ----- 167 Kips/Pile
 Nominal Required Bearing (Rn) ----- 304 Kips/Pile
 Est. Length ----- 50 Ft./Pile

BILL OF MATERIAL - W. ABUT.

BAR	NO.	SIZE	LENGTH	SHAPE
h	20	#4	6'-6"	—
h1	4	#4	5'-0"	—
h2	2	#4	29'-3"	—
p	8	#7	29'-3"	—
p1	10	#4	29'-3"	—
s	24	#5	11'-7"	□
u	8	#6	12'-2"	U
v	8	#4	5'-5"	—
v1	8	#4	4'-5"	—
v2	8	#4	3'-5"	—
v3	60	#4	3'-2"	—
Concrete Structures			Cu. Yd.	13.3
Reinforcement Bars			Pound	1,380
Metal Shell Piles 12"x0.25"			Foot	250
Name Plates			Each	1