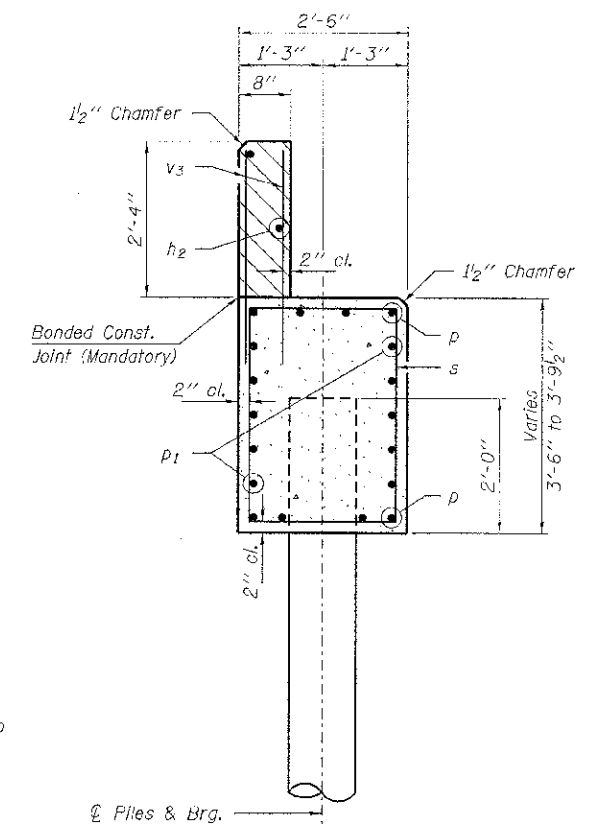
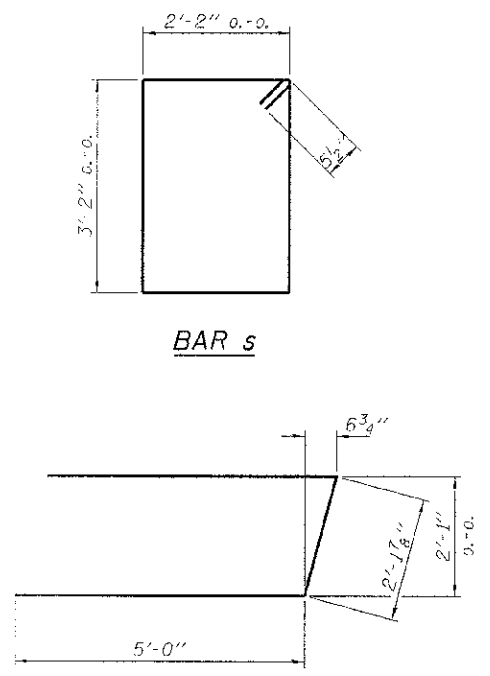


PLAN



SECTION A-A

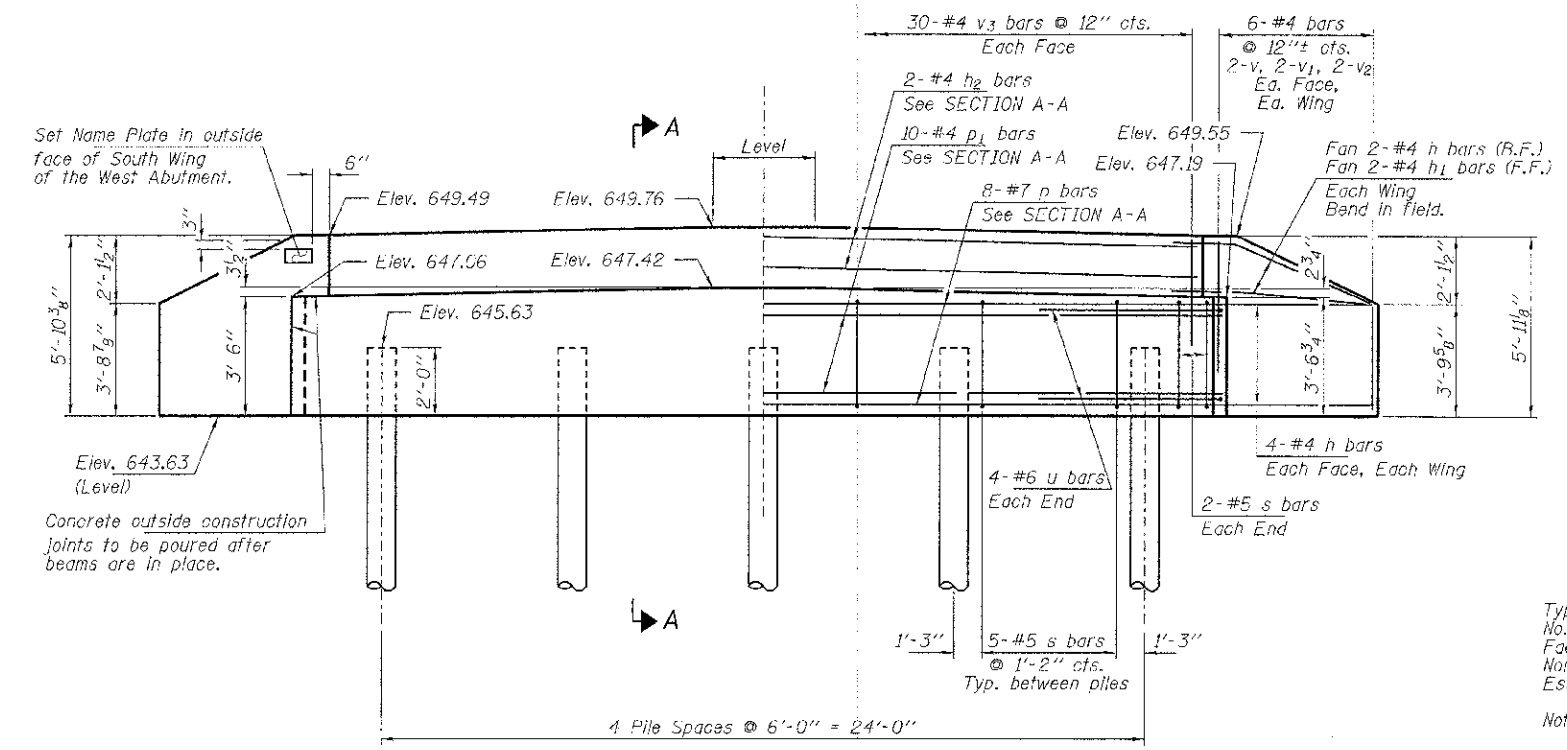
Hatched area to be poured after beams are in place.



BAR s

BAR u

Note: Extend h bars into abutment cap.



ELEVATION
(Looking West)

PILE DATA

Type ----- Metal Shells 12"x0.25"
 No. Req'd. (W. Abut.) ----- 5
 Factored Resistance Available (Rf) ----- 167 Kips/Pile
 Nominal Required Bearing (Rn) ----- 304 Kips/Pile
 Est. Length ----- 50 Ft/Pile

Notes * Includes one test pile to be driven in permanent location at the South Abutment.
 The test piles shall be driven to 110 percent of the Nominal Required Bearing indicated in the pile data information.

BILL OF MATERIAL - E. ABUT.

BAR	NO.	SIZE	LENGTH	SHAPE
h	20	#4	6'-6"	—
h1	4	#4	5'-0"	—
h2	2	#4	29'-3"	—
p	8	#7	29'-3"	—
p1	10	#4	29'-3"	—
s	24	#5	11'-7"	□
u	8	#6	12'-2"	U
v	8	#4	5'-5"	—
v1	8	#4	4'-5"	—
v2	8	#4	3'-5"	—
v3	60	#4	3'-2"	—
Concrete Structures			Cu. Yd.	13.3
Reinforcement Bars			Found	1,380
Metal Shell Piles 12"x0.25"			Foot	250
Test Pile Metal Shell			Each	1