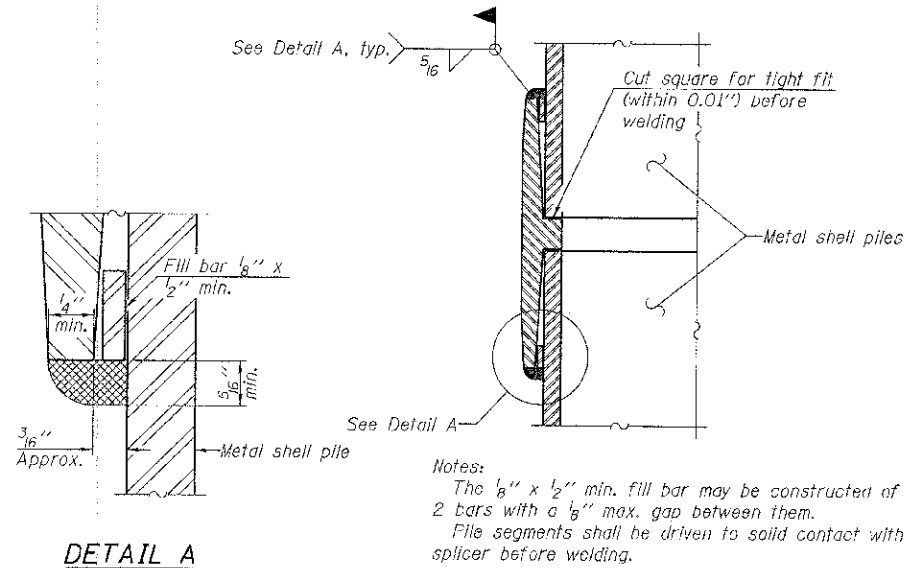
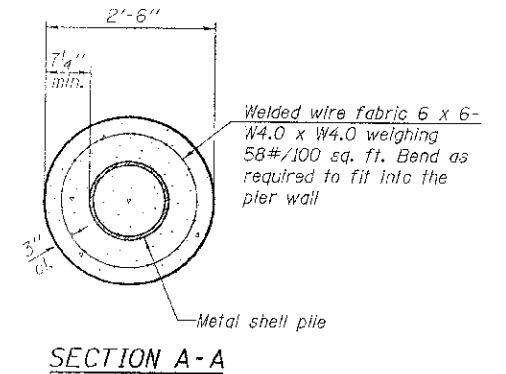
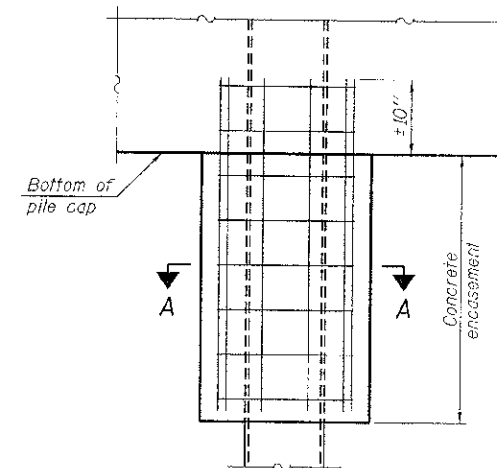


METAL SHELL PILE TABLE

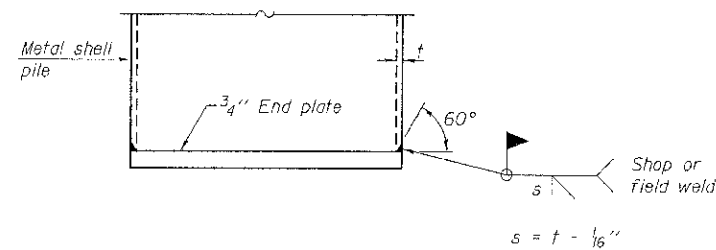
Designation and outside diameter	Wall thickness t	Weight per foot (Lbs./ft.)	Inside volume (yd. ³ /ft.)
PP12	0.179"	22.60	0.0274
PP12	0.250"	31.37	0.0267
PP14	0.250"	36.71	0.0368
PP14	0.312"	45.61	0.0361



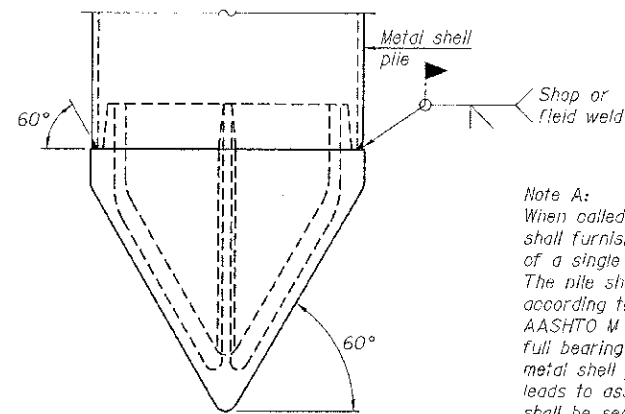
WELDED COMMERCIAL SPLICE



CONCRETE ENCASEMENT AT PIERS



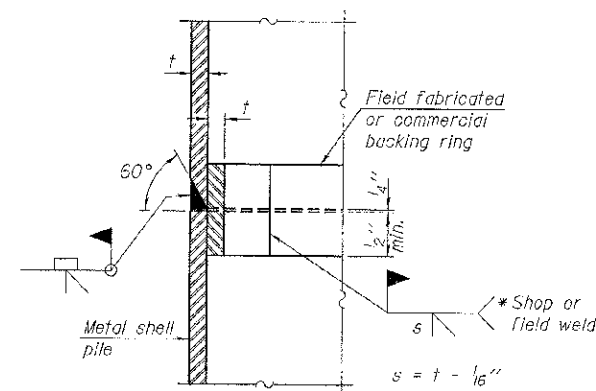
END PLATE ATTACHMENT



METAL SHELL PILE SHOE ATTACHMENT

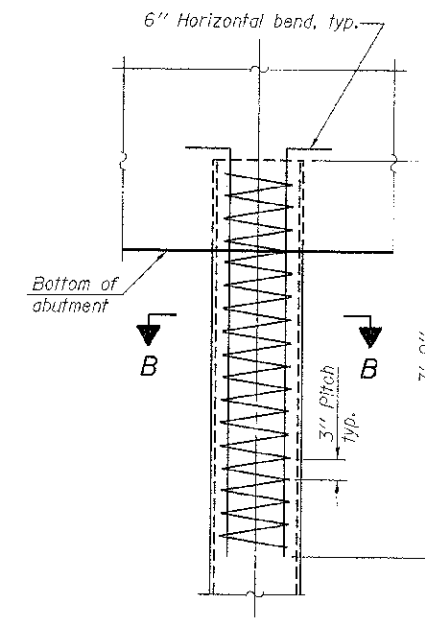
(See Note A)

Note A:
 When called for on the plans, the Contractor shall furnish metal shell pile shoes consisting of a single piece conical pile point as shown. The pile shoes shall be cast in one piece steel according to either ASTM A 148 Grade 90-60 or AASHTO M 103 Grade 65-35 and shall provide full bearing over the full circumference of the metal shell pile. The pile shoes shall have tapered leads to assure proper alignment and fitting and shall be secured to the pile with a circumferential weld.

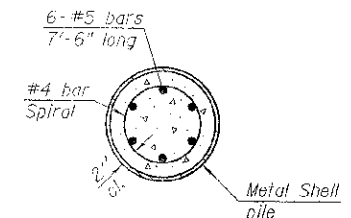


COMPLETE PENETRATION WELD SPLICE

* Field fabricated backing ring may be made from pile shell by removing segment to allow reducing circumference and vertically rejoin with partial joint penetration weld.



METAL SHELL REINFORCEMENT AT ABUTMENTS



Note:
 The metal shell piles shall be according to ASTM A 252 Grade 3.

F-MS

1-27-12

FILE NAME = 118246-shc-bridge.dgn	USER NAME =	DESIGNED - D.A.B.	REVISED -
HAMPTON, LENZINI AND RENWICK, INC.		CHECKED - S.W.M.	REVISED -
2015 B'VENENON DRIVE, SUITE 501		DRAWN - D.A.B.	REVISED -
SPRINGFIELD, ILLINOIS 62761	PLOT SCALE =	CHECKED - S.W.M.	REVISED -
ILLINOIS PROFESSIONAL DESIGN FIRM	PLOT DATE = 12/26/2012		
CG 176792 CODE 144209991			

STATE OF ILLINOIS
 LIVINGSTON COUNTY HIGHWAY DEPARTMENT

METAL SHELL PILE DETAILS
 STRUCTURE NO. 4207

SHEET NO. 8 OF 12 SHEETS

T.R.	SECTION	COUNTY	TOTAL SHEETS	SHEET NO.
29	11-16105-05-94	LIVINGSTON	21	17
NEVADA ROAD DISTRICT		CONTRACT NO. 87536		
ILLINOIS FED. AID PROJECT				