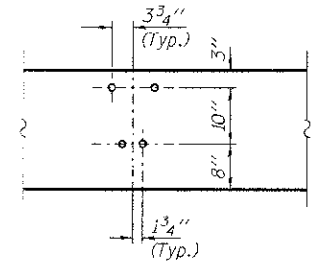
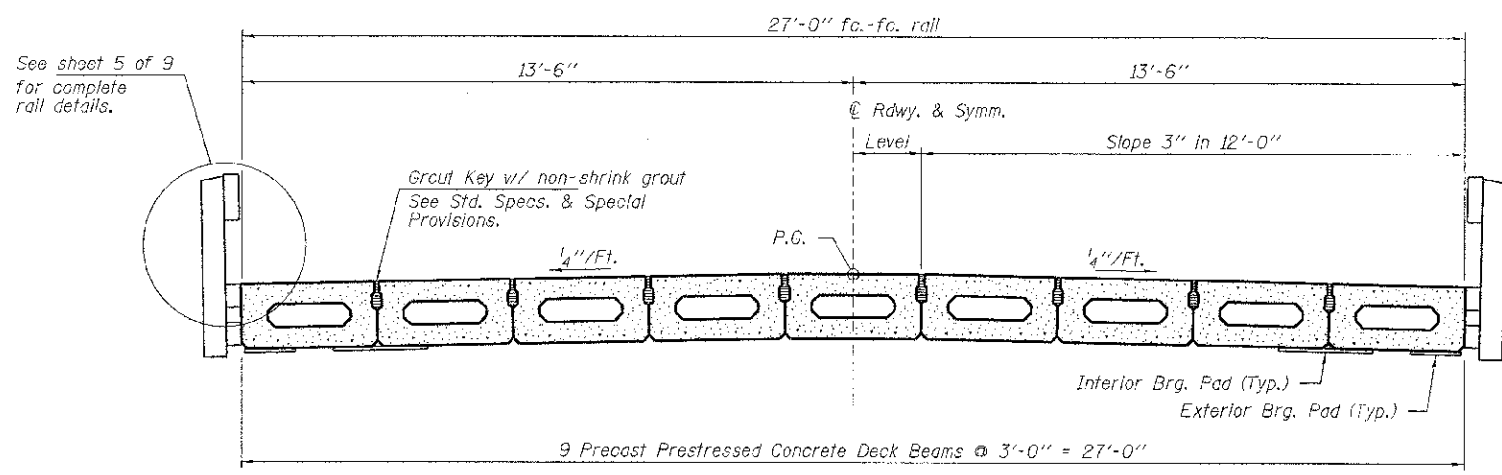


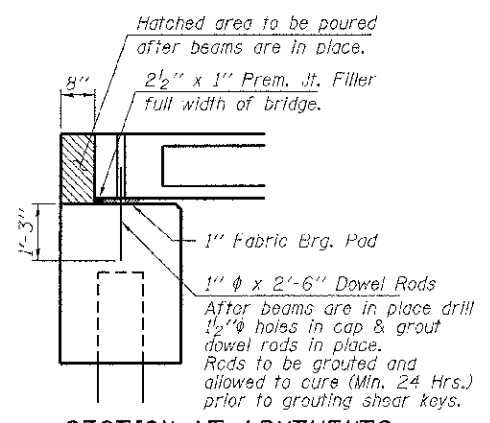
**ELEVATION**  
Showing Rail Post Spaces  
See sheet 5 of 9 for Railing Details.



**DETAIL A**



**CROSS SECTION**  
See sheets 2 & 3 of 9 for Superstructure.



**SECTION AT ABUTMENTS**  
© Rt. L's

FILE NAME = 118296-ah-bridge.dgn	USER NAME =	DESIGNED - A.S.L.	REVISED -	<b>STATE OF ILLINOIS VERMILION COUNTY HIGHWAY DEPARTMENT</b>	<b>SUPERSTRUCTURE DETAILS STRUCTURE NO. 092-3523</b>	T.R.	SECTION	COUNTY	TOTAL SHEETS	SHEET NO.	
<b>HAMPTON, LENZINI AND RENWICK, INC.</b> 200 STEVENSON DRIVE, SUITE 201 SPRINGFIELD, ILLINOIS 62761	PLOT SCALE =	CHECKED - S.W.M.	REVISED -			143	10-15144-00-BR	VERMILION	20	15	
<b>ILR</b> ILLINOIS PROFESSIONAL DESIGN FIRM 1517 E. 96th ST. CHICAGO, IL 60643	PLOT DATE = 10/9/2012	DRAWN - G.A.B.	REVISED -			PILOT ROAD DISTRICT		CONTRACT NO. 91472			
		CHECKED - S.W.M.	REVISED -			SHEET NO. 4 OF 9 SHEETS		ILLINOIS FED. AID PROJECT			