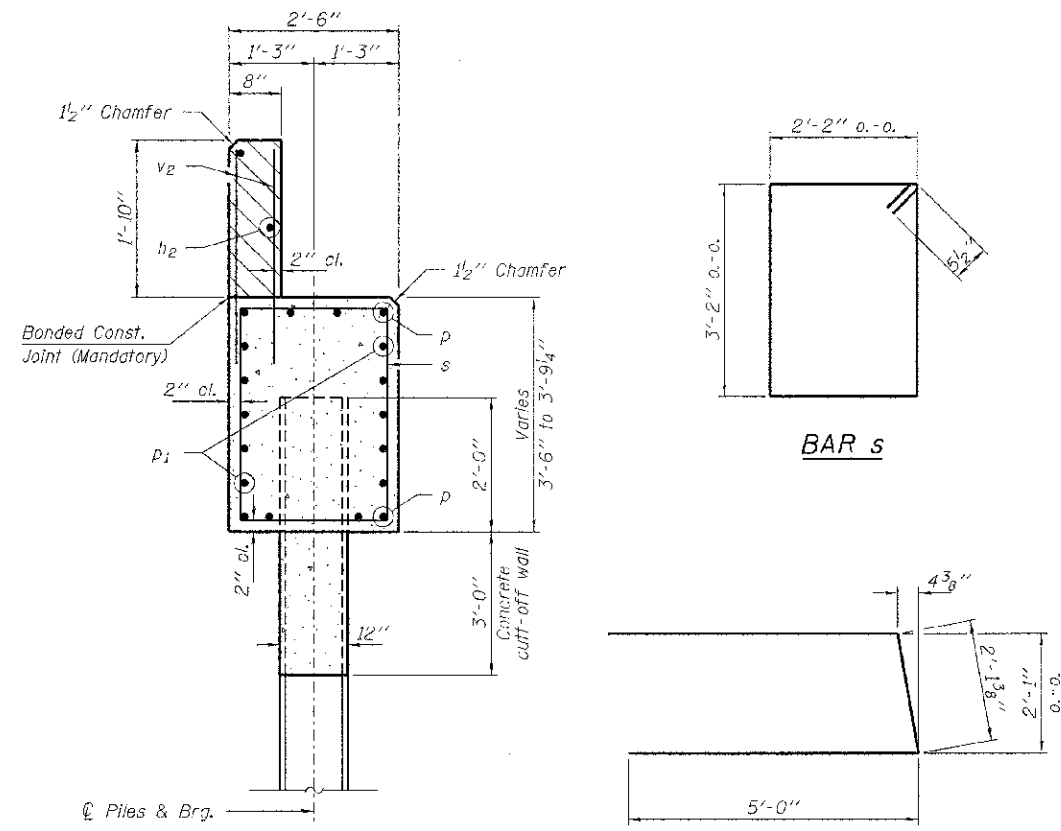
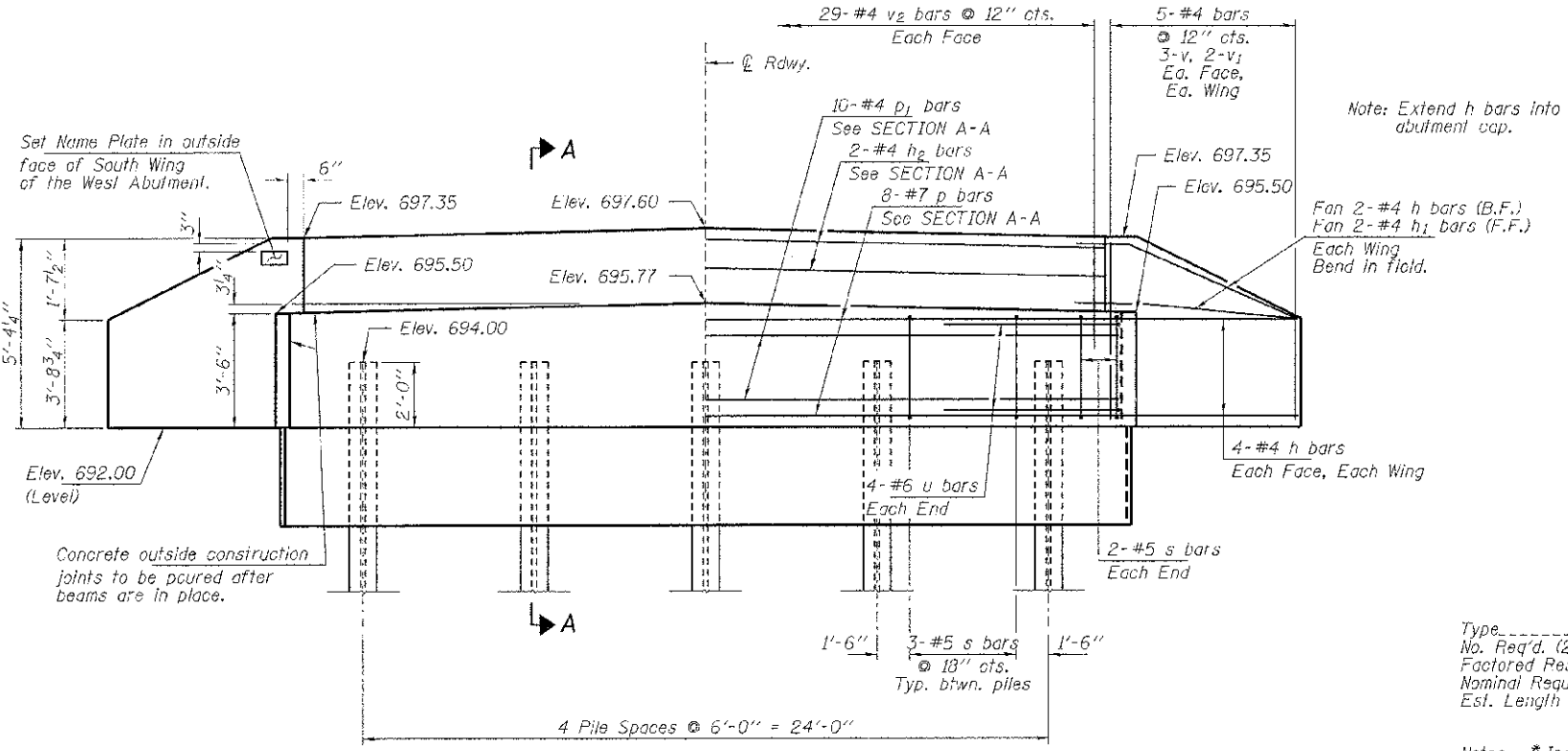


PLAN



SECTION A-A



ELEVATION

PILE DATA

Type ----- Steel HPI0x42 w/Pile Shoes
 No. Req'd. (2 Abut.) ----- *10
 Factored Resistance Available (Rf) ----- 137 Kips/Pile
 Nominal Required Bearing (Rn) ----- 249 Kips/Pile
 Est. Length ----- 90 Ft/Pile - W. Abut.
 80 Ft/Pile - E. Abut.

Notes: * Includes two test piles to be driven in permanent locations, one at the West and East Abutments.
 The test piles shall be driven to 110 percent of the Nominal Required Bearing indicated in the pile data information.

BILL OF MATERIAL - 2 ABUTS.

BAR	NO.	SIZE	LENGTH	SHAPE
h	40	#4	5'-6"	—
h1	8	#4	4'-0"	—
h2	4	#4	28'-8"	—
p	16	#7	28'-8"	—
p1	20	#4	28'-8"	—
s	32	#5	11'-7"	□
u	16	#6	12'-2"	—
v	24	#4	4'-5"	—
v1	16	#4	3'-5"	—
v2	116	#4	2'-8"	—
Concrete Structures			Cu. Yd.	24.8
Reinforcement Bars			Pound	2,560
Steel Piles HPI0x42			Foot	680
Test Pile Steel HPI0x42			Each	2
Name Plates			Each	1
Pile Shoes			Each	10
Concrete Cut-Off Wall			Cu. Yd.	6.4