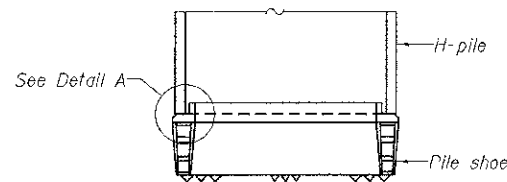
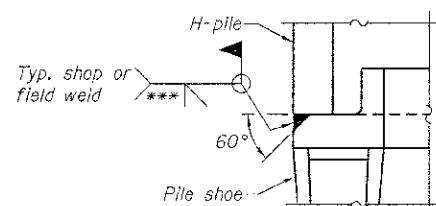


STEEL PILE TABLE

Designation	Depth d	Flange width bf	Web and Flange thickness t	Encasement diameter A
HP 14x117	14 1/4"	14 7/8"	1 5/16"	30"
x102	14"	14 3/4"	1 1/16"	30"
x89	13 7/8"	14 3/4"	5/8"	30"
x73	13 5/8"	14 5/8"	1/2"	30"
HP 12x84	12 1/4"	12 1/4"	1 1/16"	24"
x74	12 1/8"	12 1/4"	5/8"	24"
x63	12"	12 5/8"	1/2"	24"
x53	11 3/4"	12"	7/16"	24"
HP 10x57	10"	10 1/4"	9/16"	24"
x42	9 3/4"	10 1/8"	7/16"	24"
HP 8x36	8"	8 1/8"	7/16"	18"

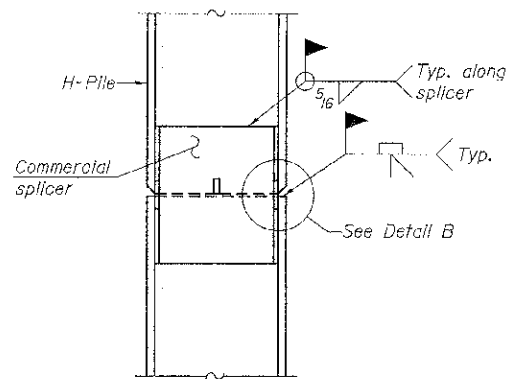


ELEVATION

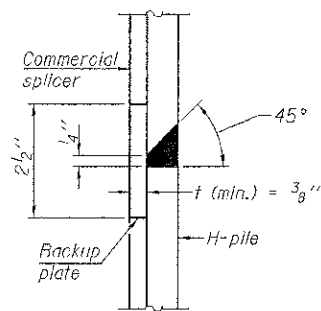


DETAIL A

H-PILE SHOE ATTACHMENT

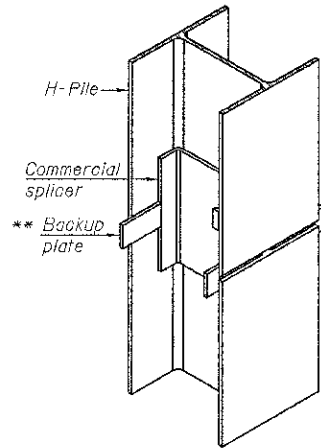


ELEVATION

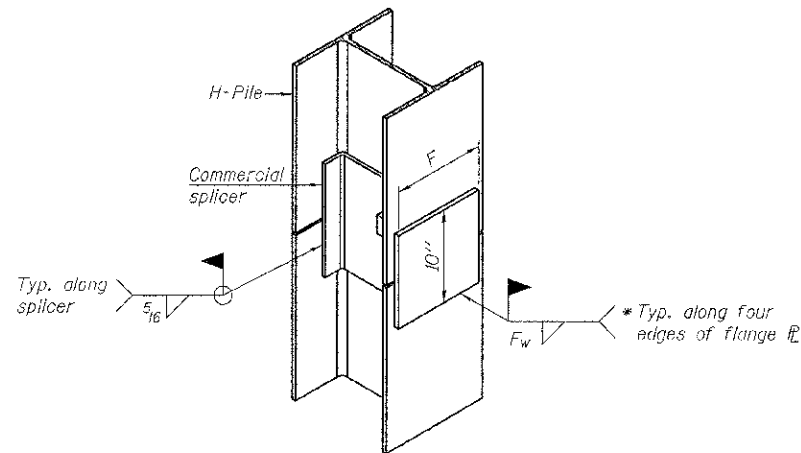


DETAIL "B"

WELDED COMMERCIAL SPLICE



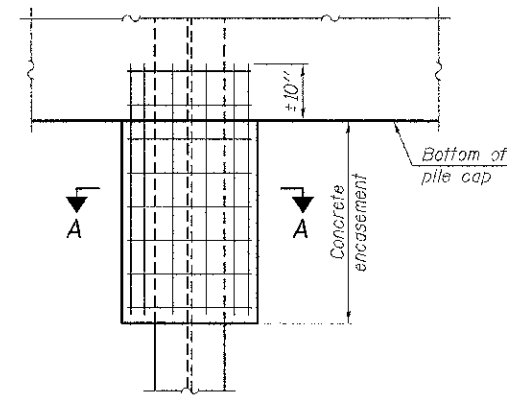
ISOMETRIC VIEW



ISOMETRIC VIEW

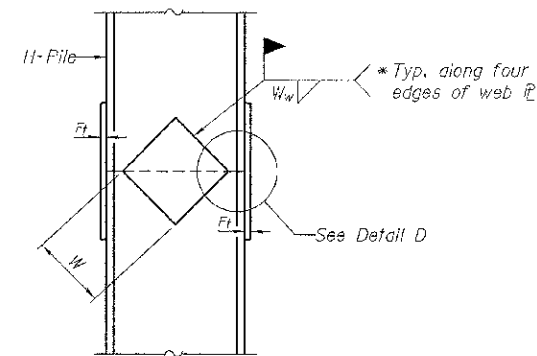
WELDED COMMERCIAL SPLICE ALTERNATE

- * Interrupt welds 1/4" from end of web and/or each flange.
- ** Remove portions of backup plates that extend outside the flanges.
- *** Weld size per pile shoes manufacturer (5/16" min.).

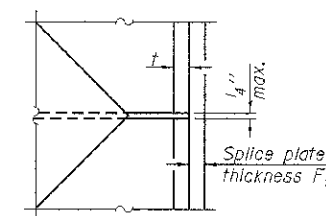


ELEVATION

PILE ENCASEMENT

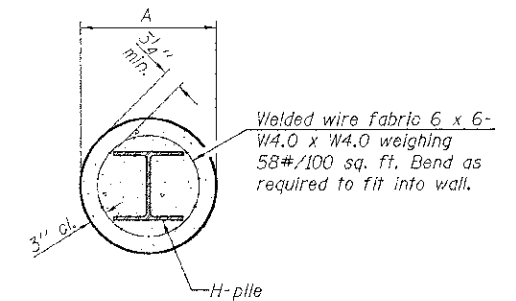


ELEVATION



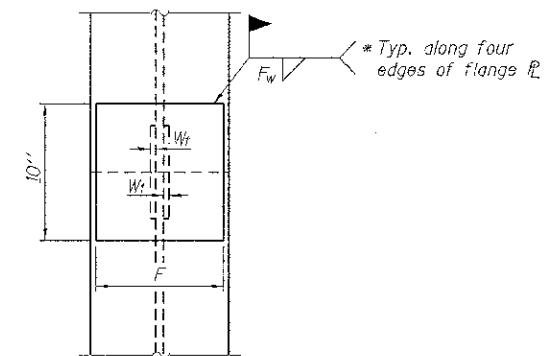
DETAIL D

WELDED PLATE FIELD SPLICE



SECTION A-A

Note:
Forms for encasement may be omitted when soil conditions permit.



END VIEW

Designation	F	Ft	Fw	W	Wt	Ww
HP 14x117	12 1/2"	1"	7/8"	7 3/4"	5 9/8"	1/2"
x102	12 1/2"	7/8"	3/4"	7 3/4"	5 8/8"	1/2"
x89	12 1/2"	3/4"	1/2"	7 3/4"	5 8/8"	1/2"
x73	12 1/2"	5/8"	9/16"	7 3/4"	5 8/8"	1/2"
HP 12x84	10"	7/8"	1/2"	6 1/2"	5 8/8"	1/2"
x74	10"	7/8"	1/2"	6 1/2"	5 8/8"	1/2"
x63	10"	5/8"	1/2"	6 1/2"	5 8/8"	3/8"
x53	10"	5/8"	1/2"	6 1/2"	5 8/8"	3/8"
HP 10x57	8"	3/4"	9/16"	5 1/4"	5 8/8"	3/8"
x42	8"	5/8"	9/16"	5 1/4"	5 8/8"	3/8"
HP 8x36	7"	5/8"	7/16"	4 1/4"	5 8/8"	3/8"

Note:
The steel H-piles shall be according to AASHTO M270 Grade 50.

F-HP

1-27-12

FILE NAME = 112295-ehf-bridge.dgn	USER NAME =	DESIGNED - A.S.L.	REVISED -	STATE OF ILLINOIS VERMILION COUNTY HIGHWAY DEPARTMENT	HP PILE DETAILS STRUCTURE NO. 092-3523	T.R.	SECTION	COUNTY	TOTAL SHEETS	SHEET NO.	
HAMPTON, LENZINI AND RENWICK, INC. 3645 STEVENSON DRIVE, SUITE 200 BROOKFIELD, IL 60513	PLOT SCALE =	CHECKED - S.W.M.	REVISED -			143	10-15144-00-BR	VERMILION	20	18	
ILLINOIS PROFESSIONAL DESIGN FIRM L27 PEY & COOP. 184.000289	PLOT DATE = 12/9/2012	DRAWN - D.A.B.	REVISED -			PILOT ROAD DISTRICT		CONTRACT NO. 91472		ILLINOIS FED. AID PROJECT	
		CHECKED - S.W.M.	REVISED -			SHEET NO. 7 OF 9 SHEETS					