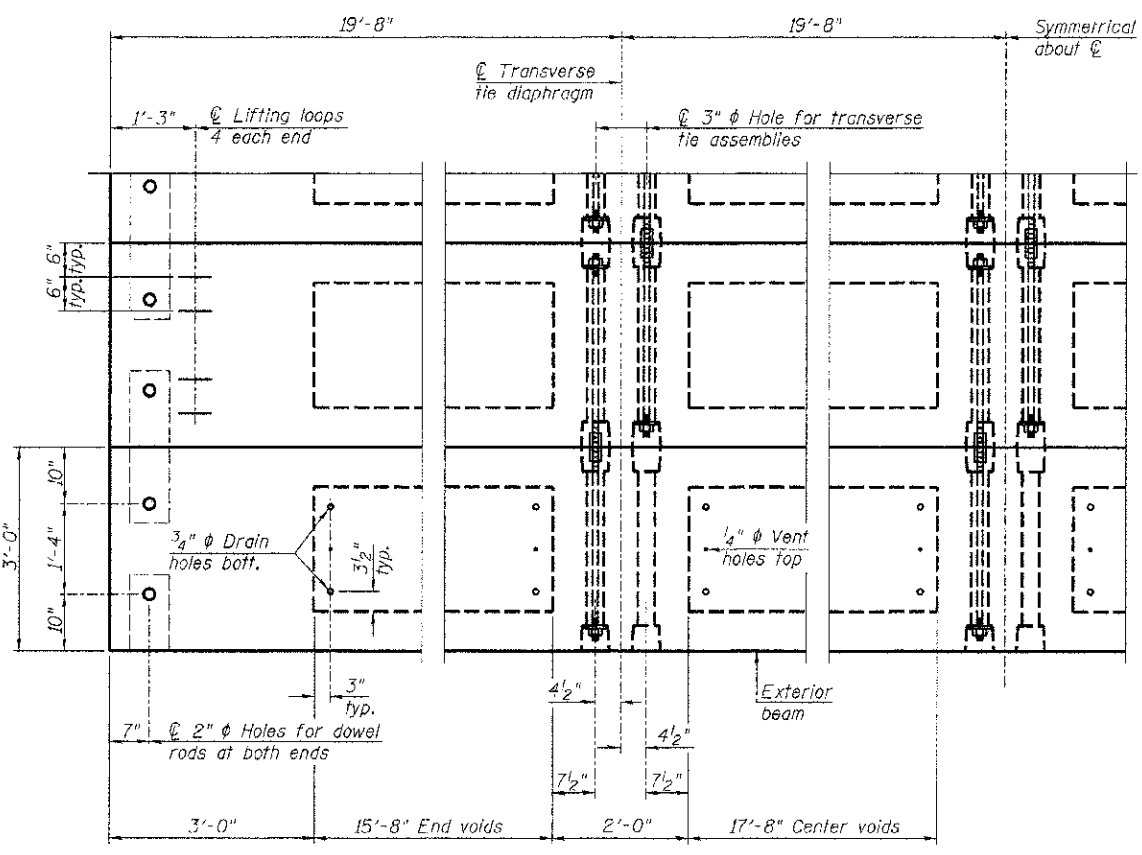
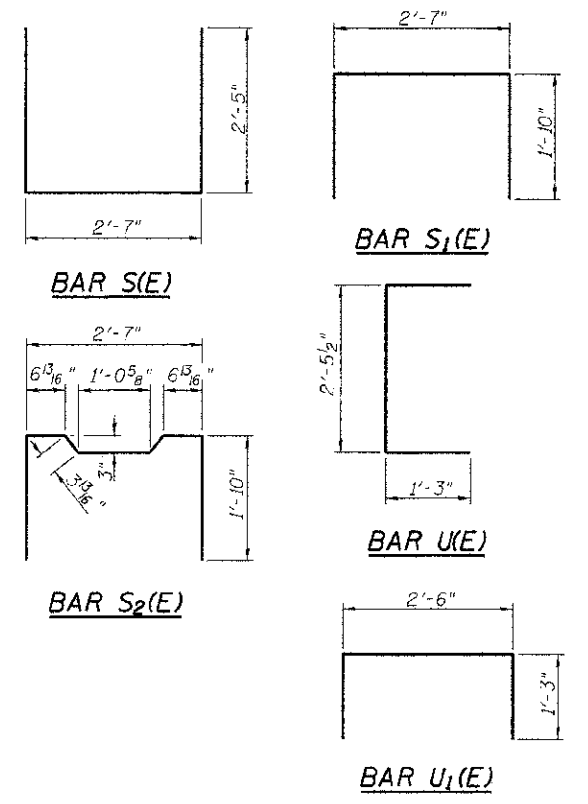
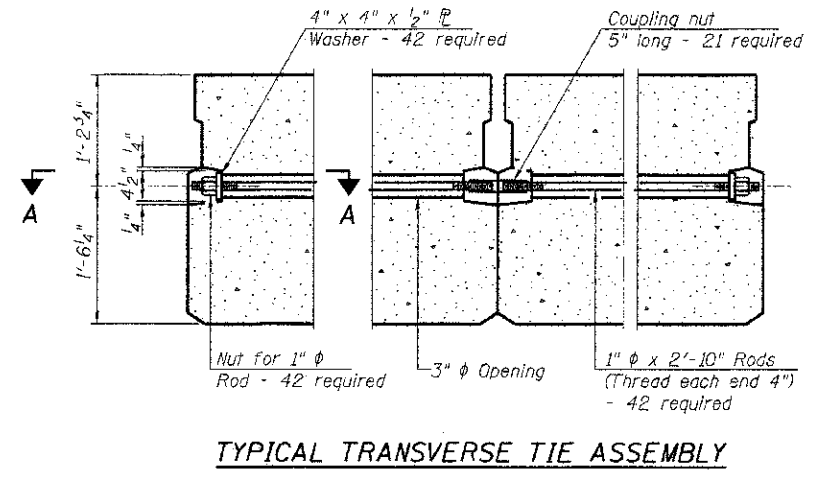
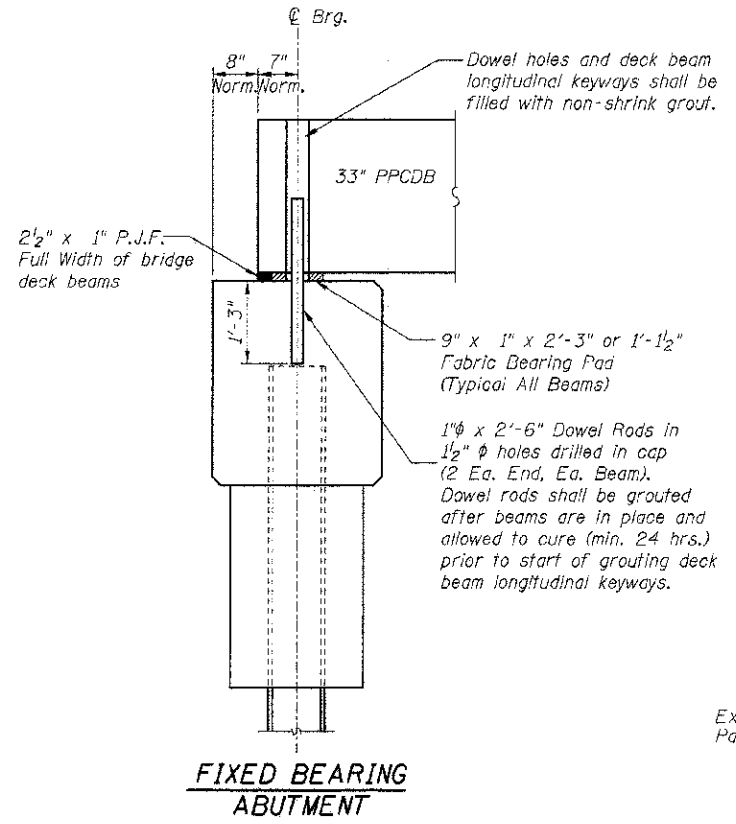


Note: All bearing pads shall be 1" thick.



Note: Connect beams in pairs with the transverse tie configuration shown.



NOTES

Prestressing steel shall be uncoated high strength, low relaxation 7-wire strand, Grade 270. The nominal diameter shall be 1/2" and the nominal cross-sectional area shall be 0.153 sq. in. The 1" rods in the transverse tie assembly shall be tightened to a snug fit and the threads set. Pockets on exterior faces of bridge shall be filled with grout after transverse tie assembly is in place.

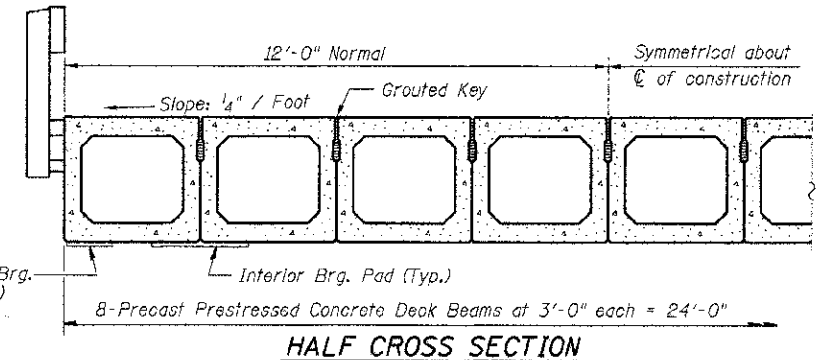
Reinforcement bars shall conform to the requirements of ASTM A 706 Grade 60 (IL Modified). Two 1/2" fabric adjusting shims of the dimensions of the exterior bearing pad shall be provided for each bearing pad location.

A minimum 2 1/2" diameter lifting pin shall be used to engage the lifting loops during handling.

Corrosion Inhibitor, per Article 1020.05(b)(12) and 1021.06 of the Standard Specifications, shall be used in the concrete for precast prestressed concrete deck beams.

Compressive strength of prestressed concrete, f'c, shall be 6000 psi.

Compressive strength of prestressed concrete at release, f'ci, shall be 5000 psi.



See Sheet 7 for the details showing the spacing and mounting of posts and rails to the PPCDB.

BILL OF MATERIAL

Precast Prestressed Conc. Deck Bms. (33" depth)	Sq. Ft.	1888
---	---------	------

RHUTASEL and ASSOCIATES, INC.
 CONSULTING ENGINEERS • LAND SURVEYORS
 CENTRALIA, ILLINOIS FREEBURG, ILLINOIS
 ILLINOIS DESIGN FIRM LICENSE NO. 164-000287

DESIGNED - BLT	REVISED -
DRAWN - JN	REVISED -
CHECKED - WDL	REVISED -
DATE - 12/20/2012	REVISED -

STATE OF ILLINOIS
DEPARTMENT OF TRANSPORTATION

PRECAST PRESTRESSED CONCRETE DECK BEAM DETAILS
STRUCTURE NO. 026-3457

ROUTE	SECTION	COUNTY	TOTAL SHEETS	SHEET NO.
TR 221	11-13133-00-BR	FAYETTE	11	6
CONTRACT NO. 95698				
RAAT JOB NO. 50912		ILLINOIS FED. AID PROJECT		