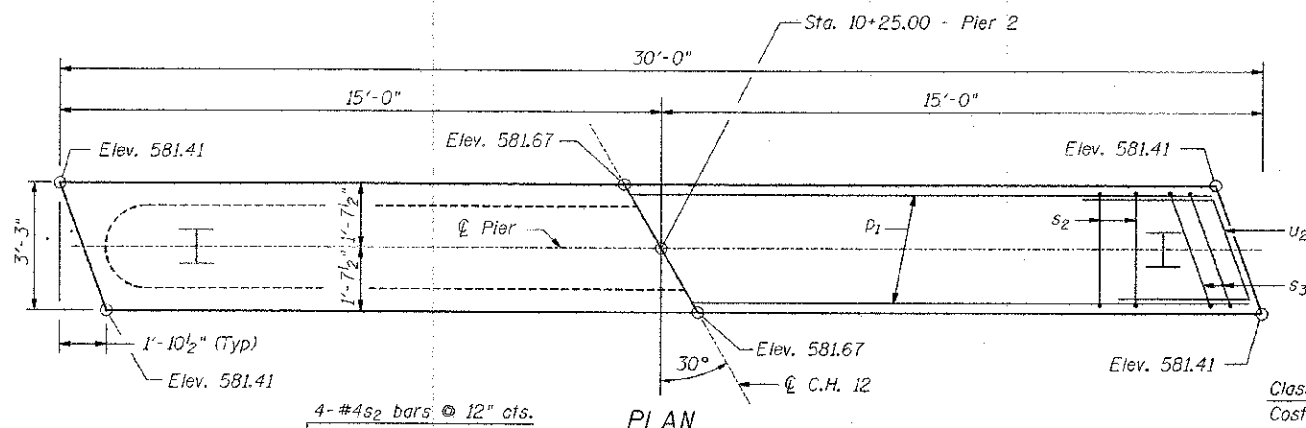


** 1" Joint shall be packed with a very dry mix of 2:1 sand and P.C. mortar. 1" Dimension may vary plus or minus to accommodate tolerance in beam lengths.

*** Dowel Rods to be grouted after beams are in place and allowed to cure (Min. 24 hours) prior to grouting Shear Keys.

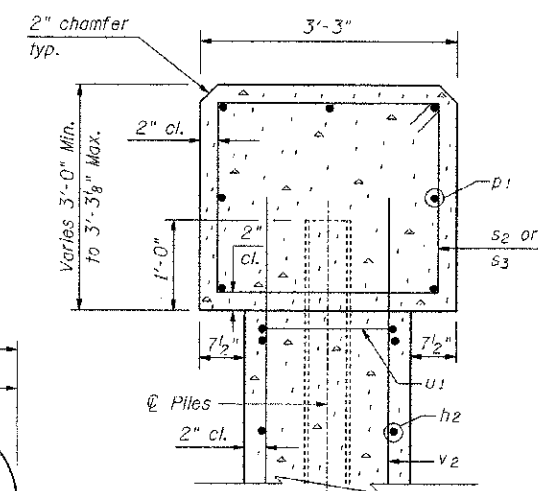
**** 1" ϕ x 2'-6" Dowel Rods In 1 1/2" ϕ holes drilled in Cap (2 Each Beam) Cost Incidental to Concrete Structures.

27" P.P.C. Beam
1" x 6" P.J.F. Full Width
1" x 9" x 1" x 2'-3" (Interior Fabric Brg. Pad) or 1" x 9" x 1" x 1'-1/2" (Exterior Fabric Brg. Pad)

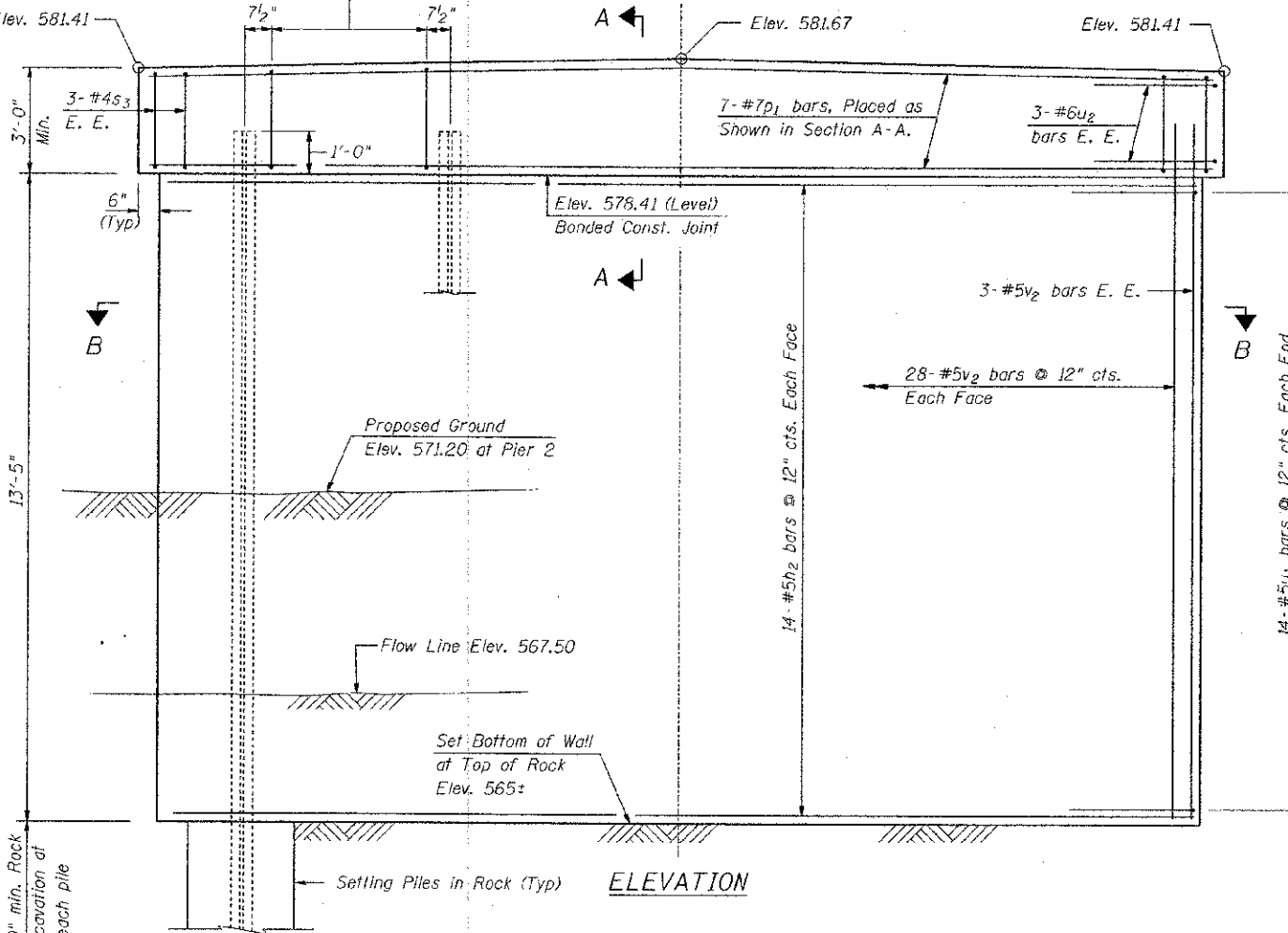


PLAN

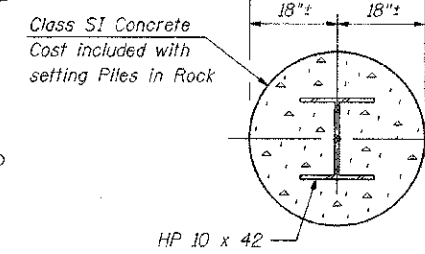
NOTE:
All Edges shall have Standard 3/4" Chamfer except as Noted.



SECTION A-A



ELEVATION

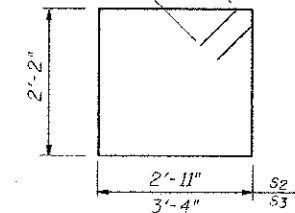


SECTION C-C

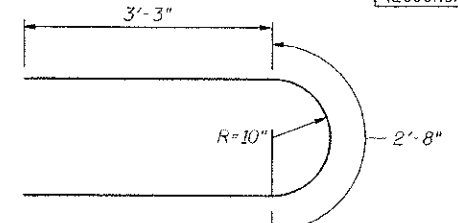
BILL OF MATERIAL - PIER 2

Bar	No.	Size	Length	Shape
h2	28	#5	26'-9"	—
p1	7	#7	29'-6"	—
s2	24	#4	10'-11"	□
s3	6	#4	11'-9"	□
u1	28	#5	9'-2"	—
u2	6	#6	10'-11"	—
v2	62	#5	15'-6"	—
ITEM		UNIT	QUANTITY	
Reinforcement Bars		Pound	2,800	
Concrete Structures		Cu. Yd.	39.7	
Furnishing Steel Piles				
HP 10 x 42		Foot	175	
Setting Piles in Rock		Each	7	
Cofferdam Excavation		Cu. Yd.	82	
Cofferdam (Type 2) (Location 2)		Each	1	

BAR s2 & s3

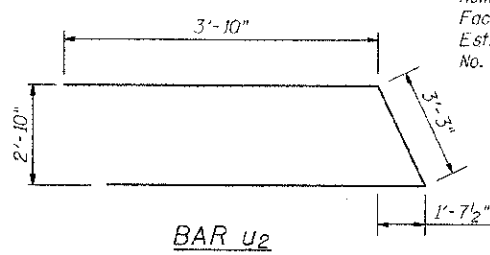


BAR u1

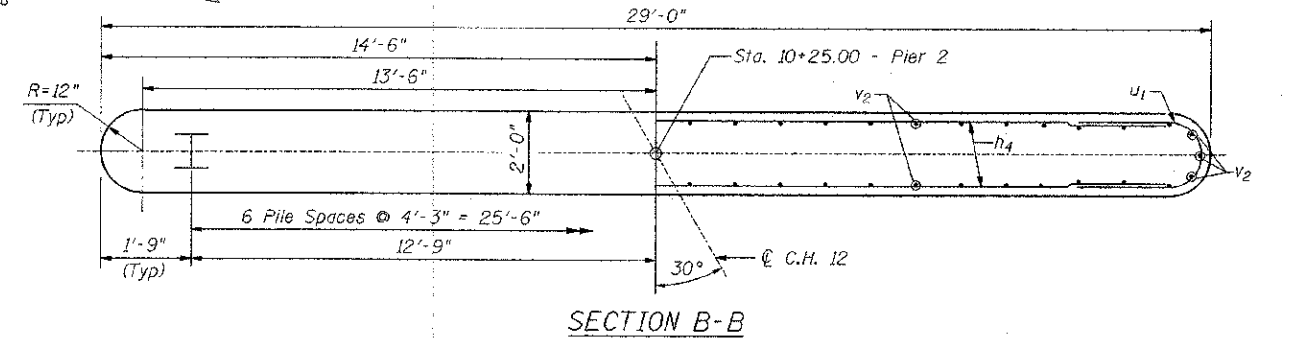


PILE DATA

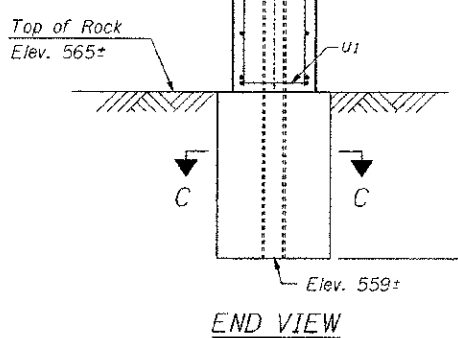
Type: HP 10 x 42
Nominal Required Bearing: 335 kips
Factored Resistance Available: 167 kips
Est. Length: 25'
No. Production Piles: 7



BAR u2



SECTION B-B



END VIEW

ie CONSULTANTS, INC.
6420 SOUTH SIXTH STREET RD
SPRINGFIELD, ILLINOIS 62712
TEL. (217) 529-8027
FAX (217) 529-4543
IESPRINGFIELD@IE-CONSULTANTS.COM
WWW.IE-CONSULTANTS.COM

FILE NAME =	USER NAME =	DESIGNED - SCD	REVISED -	STATE OF ILLINOIS DEPARTMENT OF TRANSPORTATION	PIER 2 DETAILS STRUCTURE NO. 087-3574	C.H. RTE. 12	SECTION 09-00267-00-BR	COUNTY SHELBY	TOTAL SHEETS 24	SHEET NO. 23
PLOT SCALE =	CHECKED - DR3	REVISED -	SHEET NO. 10 OF 11 SHEETS			CONTRACT NO. 95700				
DRAWN - JEB	REVISED -									
PLOT DATE =	CHECKED - SCD	REVISED -								

ILLINOIS FED. AID PROJECT