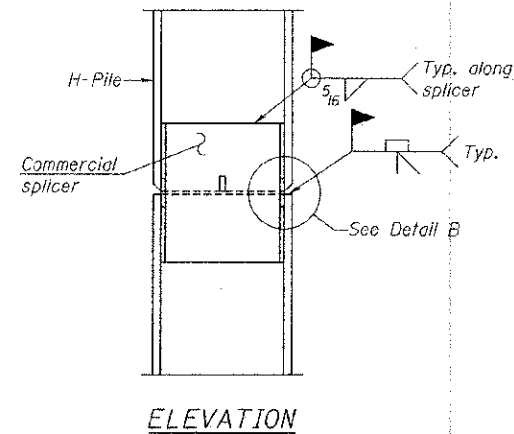
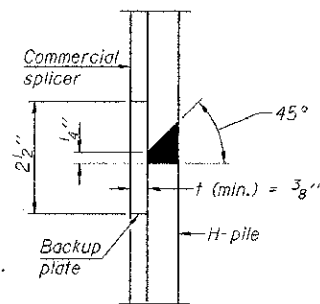


STEEL PILE TABLE

Designation	Depth d	Flange width bf	Web and Flange thickness t	Encasement diameter A
HP 14x117	14 1/4"	14 7/8"	13/16"	30"
x102	14"	14 3/4"	1/16"	30"
x89	13 7/8"	14 3/4"	5/8"	30"
x73	13 5/8"	14 5/8"	1/2"	30"
HP 12x84	12 1/4"	12 1/4"	1/16"	24"
x74	12 1/8"	12 1/4"	5/8"	24"
x63	12"	12 1/8"	1/2"	24"
x53	11 3/4"	12"	7/16"	24"
HP 10x57	10"	10 1/4"	9/16"	24"
x42	9 3/4"	10 1/8"	7/16"	24"
HP 8x36	8"	8 1/8"	7/16"	18"

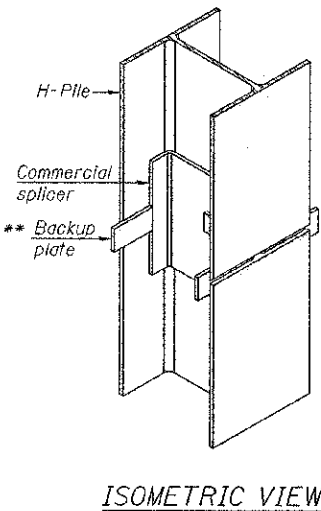


ELEVATION

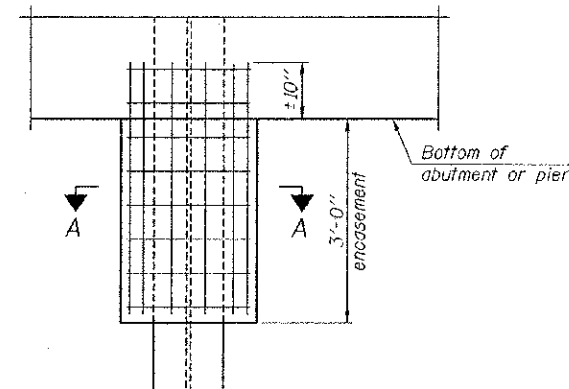


DETAIL "B"

WELDED COMMERCIAL SPLICE

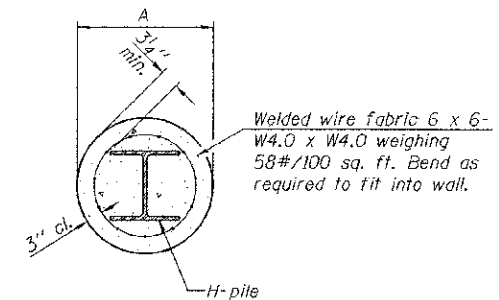


ISOMETRIC VIEW



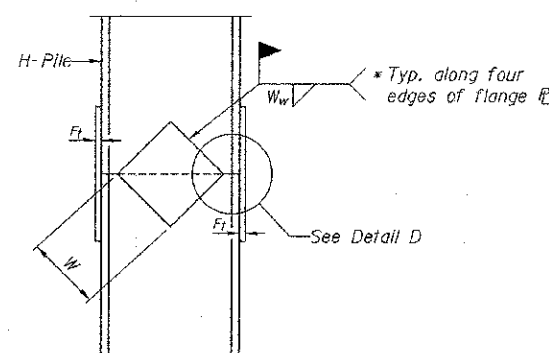
ELEVATION

PILE ENCASEMENT

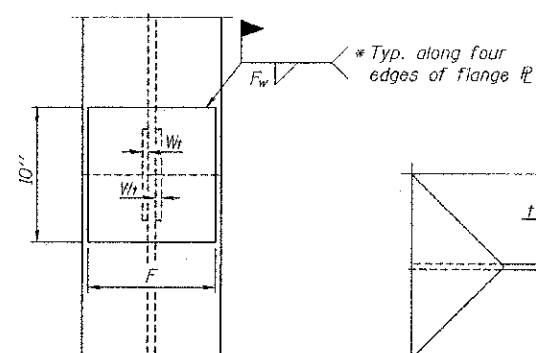


Note:
Forms for encasement may be omitted when soil conditions permit.

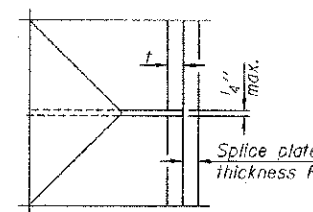
SECTION A-A



ELEVATION



END VIEW

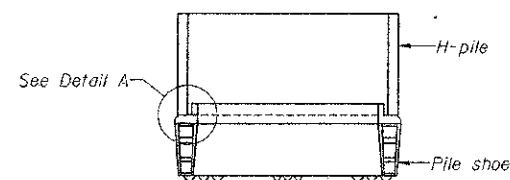


DETAIL D

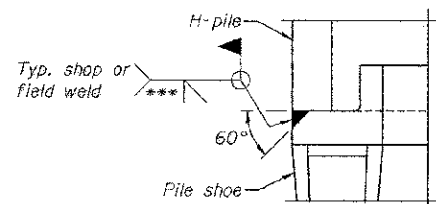
Designation	F	Ft	Fw	W	Wt	Ww
HP 10x42	8"	5/8"	9/16"	5 1/4"	1/2"	3/8"

WELDED PLATE FIELD SPLICE

Note:
The steel H-piles shall be according to AASHTO M270 Grade 50.

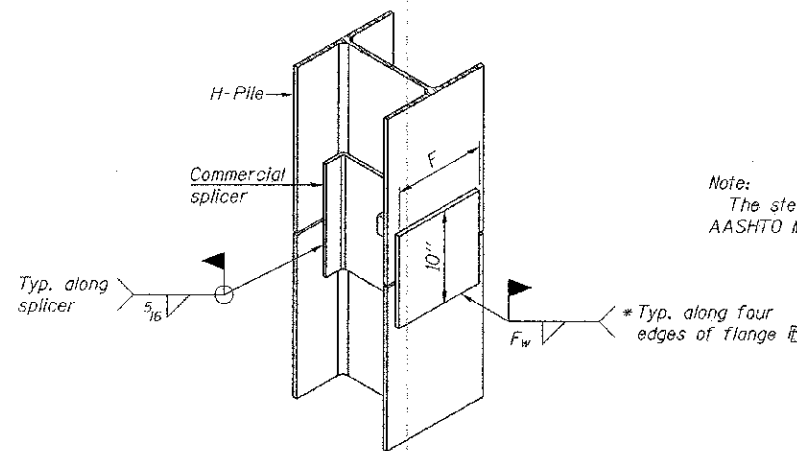


ELEVATION



DETAIL A

H-PILE SHOE ATTACHMENT



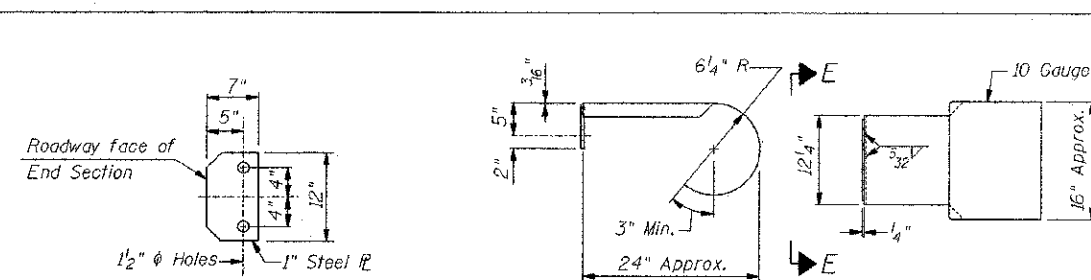
ISOMETRIC VIEW

WELDED COMMERCIAL SPLICE ALTERNATE

* Interrupt welds 1/4" from end of web and/or each flange.

** Remove portions of backup plates that extend outside the flanges.

*** Weld size per pile shoe manufacturer (5/16" min.).



SECTION E-E

CURLED END SECTION DETAILS

Cost of Curled End Section shall be included in the price of Steel Railing, Type S-1 and shall not be paid for separately.

See sheet 2 of 11 for Steel Railing Details.

ie CONSULTANTS, INC
6420 SOUTH SIXTH STREET RD
SPRINGFIELD, ILLINOIS 62712
TEL (217) 629-8027
FAX (217) 629-4643
IESPRINGFIELD@IE-CONSULTANTS.COM
WWW.IE-CONSULTANTS.COM

F-HP 7-1-10

FILE NAME	USER NAME	DESIGNED	REVISIONS
		SCD	
		DRB	
		JEB	
		SCD	

STATE OF ILLINOIS
DEPARTMENT OF TRANSPORTATION

HP PILE DETAILS
STRUCTURE NO. 087-3574

SHEET NO. 11 OF 11 SHEETS

C.H. RTE.	SECTION	COUNTY	TOTAL SHEETS	SHEET NO.
12	09-00267-00-DR	SHELBY	24	24
			CONTRACT NO.	95700
ILLINOIS FED. AID PROJECT				