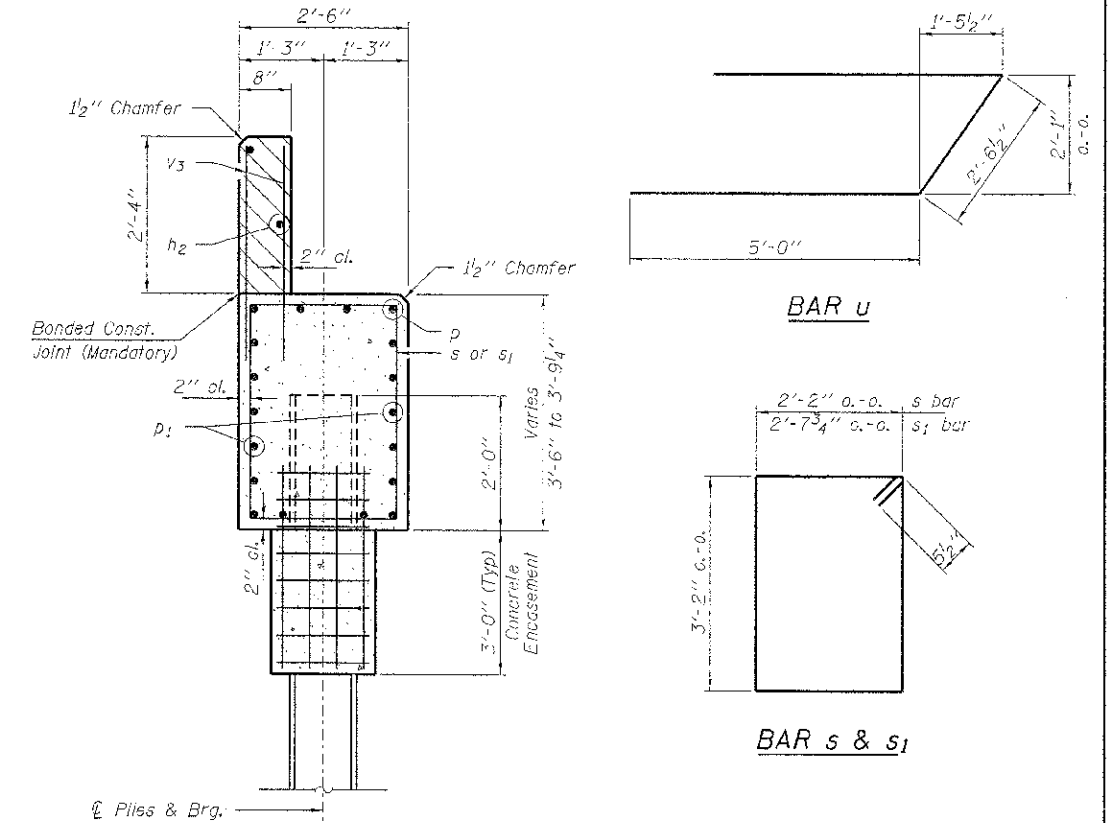
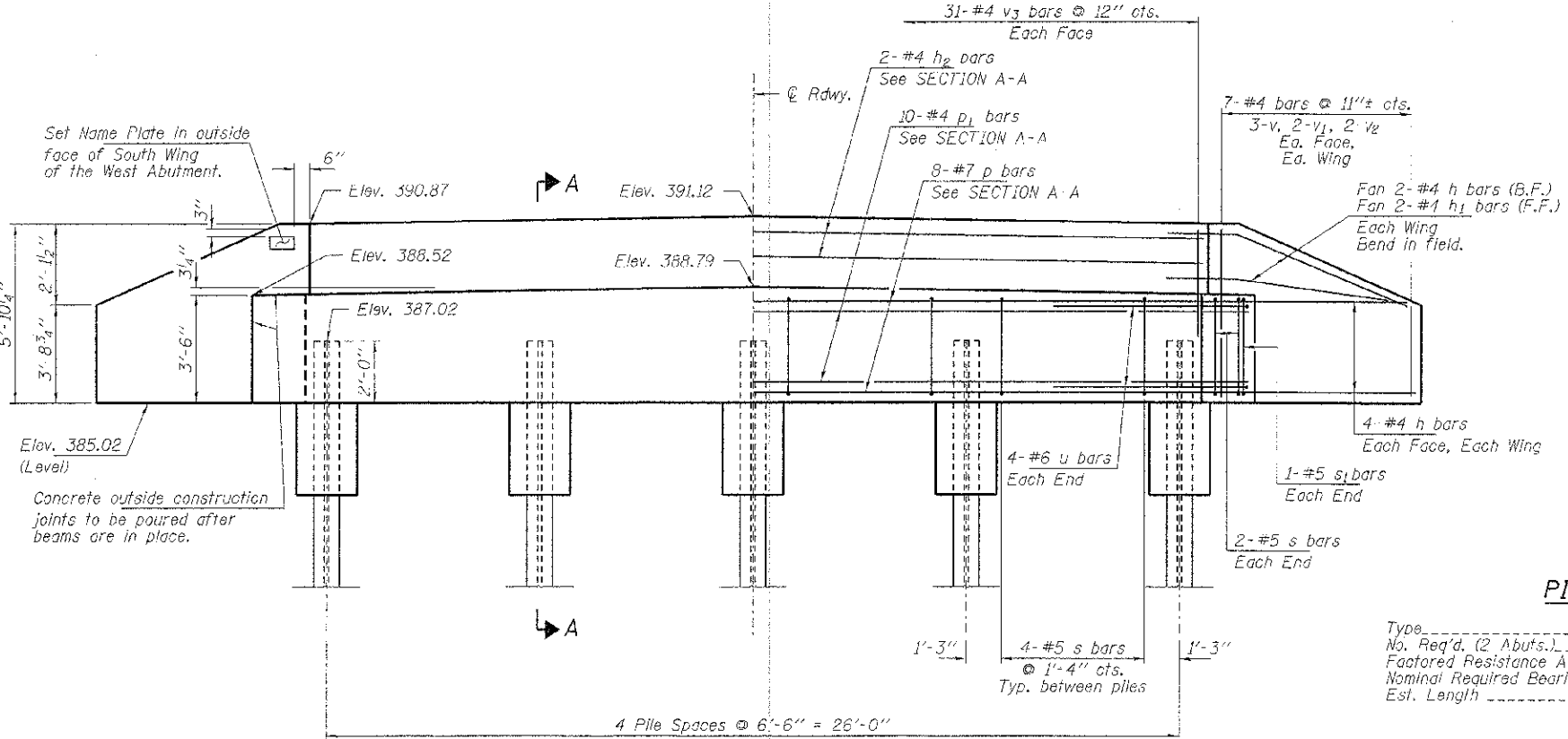


PLAN



SECTION A-A

Hatched area to be poured after beams are in place.



ELEVATION

PILE DATA

Type ----- Steel HP10x42
 No. Req'd. (2 Abuts.) ----- 10
 Factored Resistance Available (Rf) ----- 184 Kips/Pile
 Nominal Required Bearing (Rn) ----- 335 Kips/Pile
 Est. Length ----- 75 Ft/Pile

BILL OF MATERIAL - 2 ABUTS.

BAR	NO.	SIZE	LENGTH	SHAPE
h	40	#4	7'-3"	—
h1	8	#4	5'-9"	—
h2	4	#4	30'-10"	—
p	16	#7	30'-10"	—
p1	20	#4	30'-10"	—
s	40	#5	11'-7"	□
s1	4	#5	12'-7"	□
u	16	#6	12'-7"	—
v	24	#4	5'-0"	—
v1	16	#4	4'-3"	—
v2	16	#4	3'-5"	—
v3	124	#4	3'-2"	—
Concrete Structures			Cu. Yd.	28.4
Concrete Encasement			Cu. Yd.	3.4
Reinforcement Bars			Pounds	2,990
Steel Piles HP10x42			Foot	700
Name Plates			Each	1

FILE NAME = 112672-sh+bridge.dwg
 USER NAME =
 DESIGNED - A.S.L.
 CHECKED - S.W.M.
 DRAWN - D.A.B.
 CHECKED - S.W.M.
 PLOT SCALE =
 PLOT DATE = 10/2/2012

DESIGNED - A.S.L.
 CHECKED - S.W.M.
 DRAWN - D.A.B.
 CHECKED - S.W.M.
 REVISIONS
 REVISIONS
 REVISIONS
 REVISIONS

STATE OF ILLINOIS
 WHITE COUNTY HIGHWAY DEPARTMENT

ABUTMENTS
 STRUCTURE NO. 097-3279
 SHEET NO. 6 OF 9 SHEETS

T.R.	SECTION	COUNTY	TOTAL SHEETS	SHEET NO.
27	10-05117-00-BR	WHITE	13	10
GRAY ROAD DISTRICT			CONTRACT NO. 99484	
[ILLINOIS] FED. AID PROJECT BROS. 1030581				