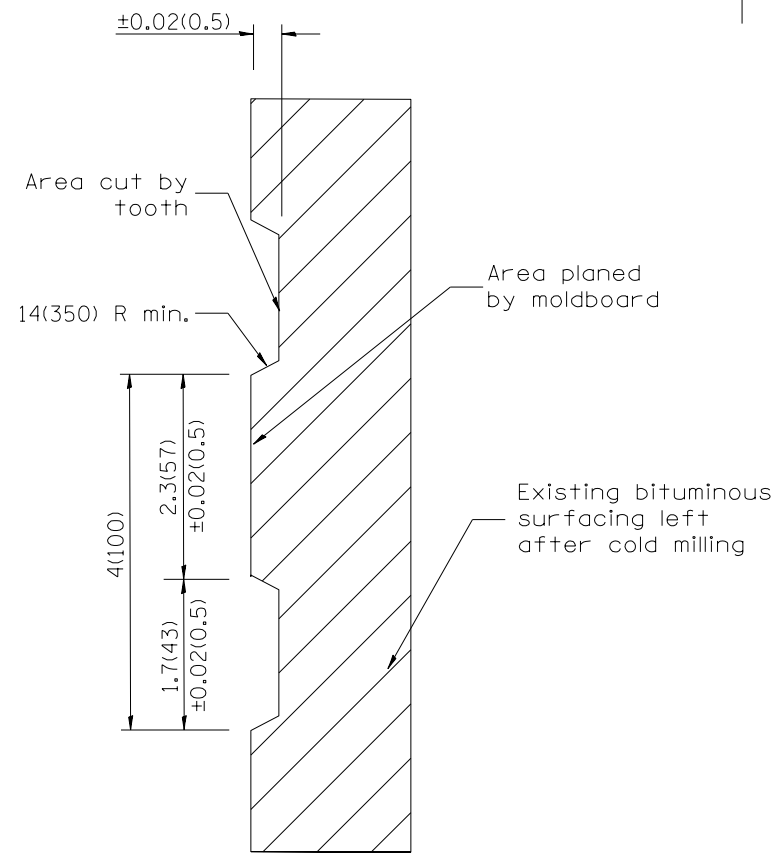


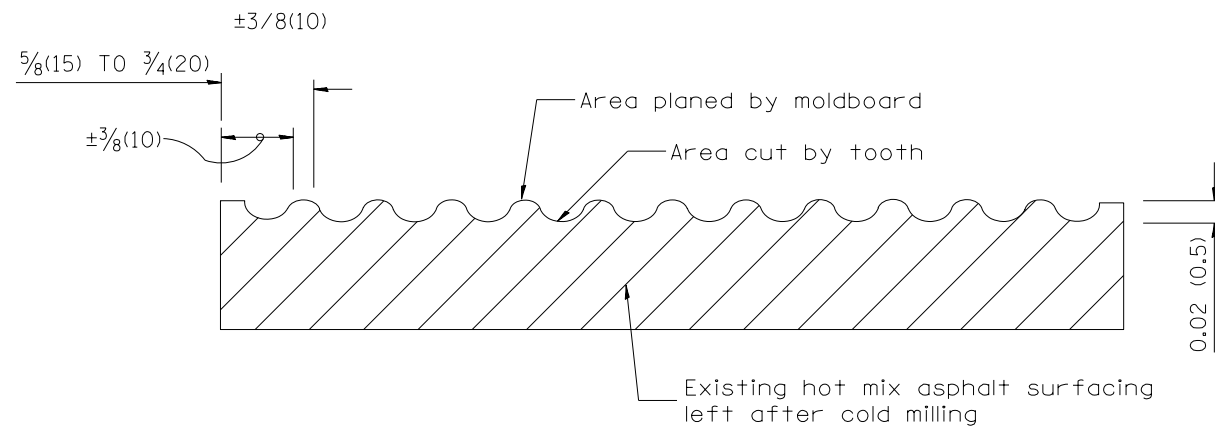
PLAN

General notes:

1. Coldmilling shall consist of two processes: Cutting with carbide teeth mounted on a rotating drum, and planing with a moldboard mounted immediately behind the cutting drum.
2. Other similar patterns will be acceptable if they consist of a smooth, flat, planed surface interspersed with a pattern of discontinuous longitudinal striations.



SECTION A-A



SECTION B-B PROJECTED
PERPENDICULAR TO CENTERLINE

DESIGNER NOTES:
1. INCLUDE DISTRICT SPECIAL PROVISION, IF APPLICABLE.

All dimensions are in inches (millimeters) unless otherwise noted.

01-01-97	RENUM. C-104.01, NEW REVISION BOX	T.P.
04-20-98	REMOVED MILLING DETAIL FROM STANDARD	J.A.
09-08-98	CORRECT NOTE LEADER PLACEMENT	R.W.
10-16-06	REVISED TO 2007 SPEC.	M.A.

STATE OF ILLINOIS
DEPARTMENT OF TRANSPORTATION

HOT MIX ASPHALT SURFACE REMOVAL (COLD MILLING)

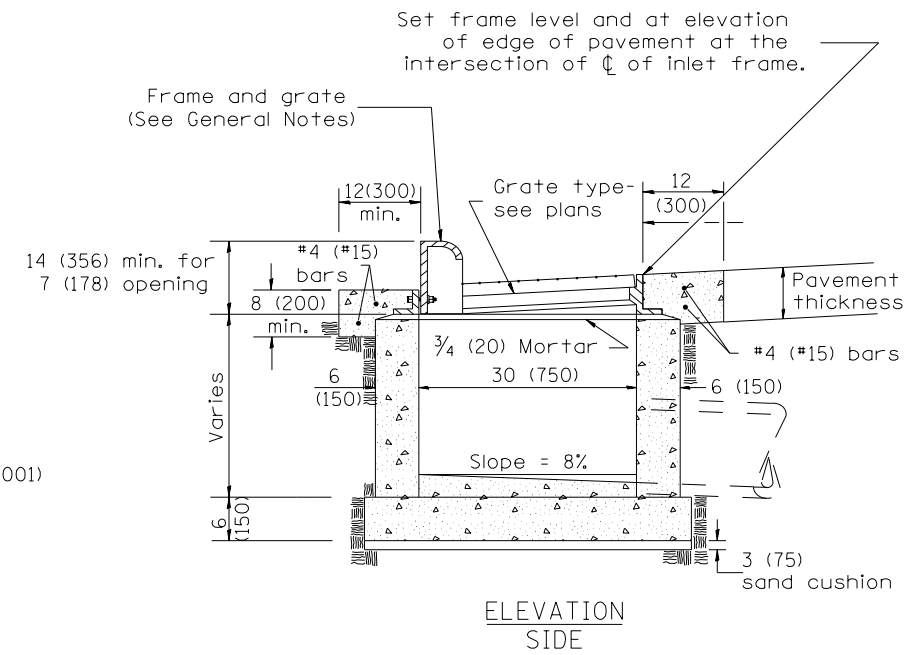
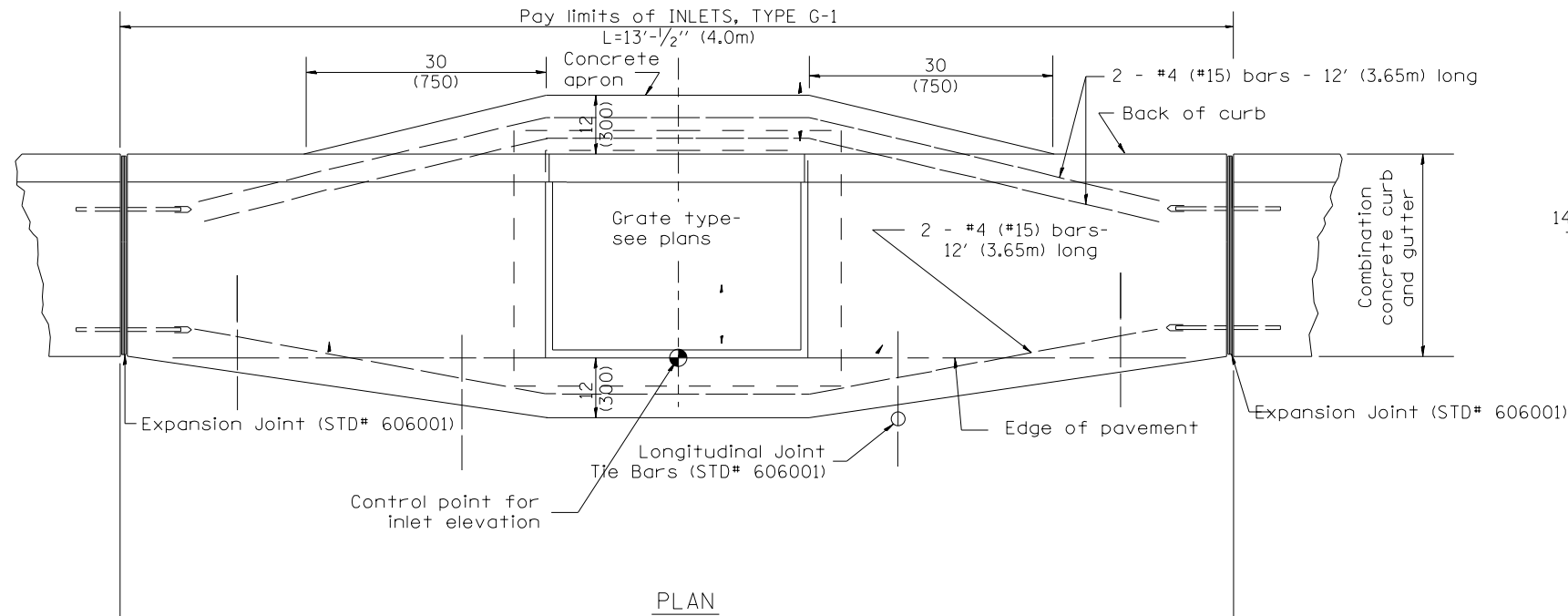
NOT TO SCALE

CADD STD. 440001-D4

F.A.P. RTE.	SECTION	COUNTY	TOTAL SHEETS	SHEET NO.
669	16-00045-01-SW	TAZEWELL	155	102
FED. ROAD DIST. NO. ILLINOIS FED. AID PROJECT			CONTRACT NO. 89713	

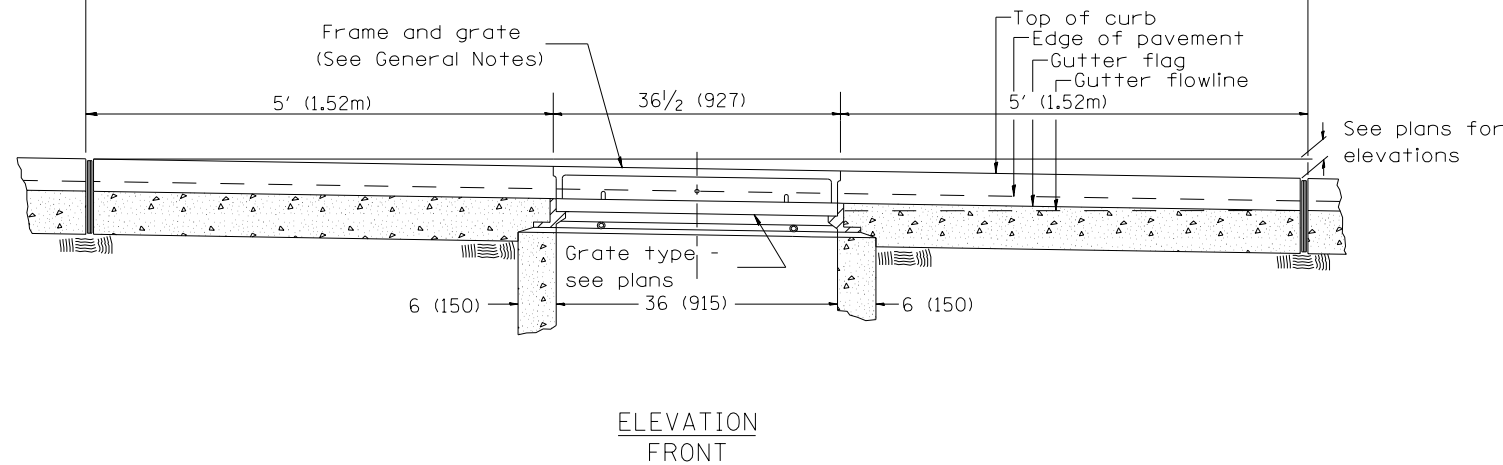
DESIGNER NOTES:

1. Include State Standard 606001 for combination concrete curb and gutter details.
2. Include State Standard 420001 for pavement joints.
3. Include District CADD Standard for frame and grates and specify grate type in plans.
4. Include District Special Provision. Pay item includes transitional c.c.c. & g., inlet and frame and grate. All work within pay limits.
5. The designer should include pavement removal quantities when the apron requires pavement removal.



GENERAL NOTES

1. Inlet construction shall be in accordance with Section 602 of the Standard Specifications.
2. Combination Concrete Curb & Gutter shall be constructed in accordance with Section 606 of the Standard Specifications.
3. See District CADD Standard 604001-D4 for frame and grates.



All dimensions are in inches (millimeters) unless otherwise noted.

01-01-97	RENUM. B-4.01, NEW REVISION BOX	T.P.		
10-99	REVISION TO GENERAL NOTES	J.A.		
02-00	REVISION TO DESIGNER NOTES	J.A.		
10-16-06	REVISED TO 2007 SPEC.	M.A.		

STATE OF ILLINOIS
DEPARTMENT OF TRANSPORTATION

INLETS, TYPE G-1

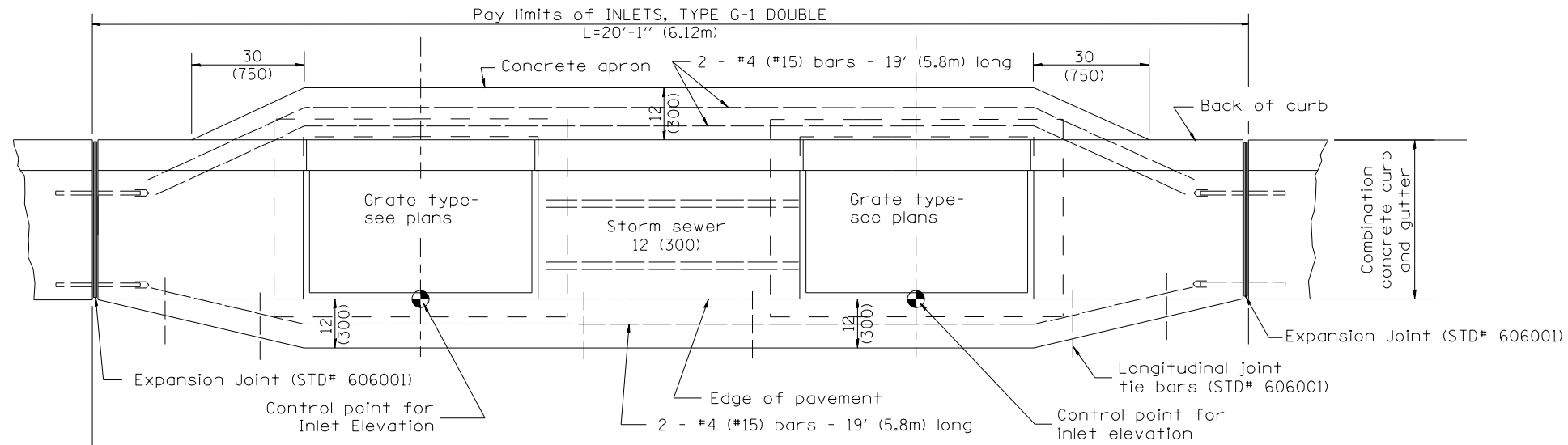
NOT TO SCALE

CADD STD. 602001-D4

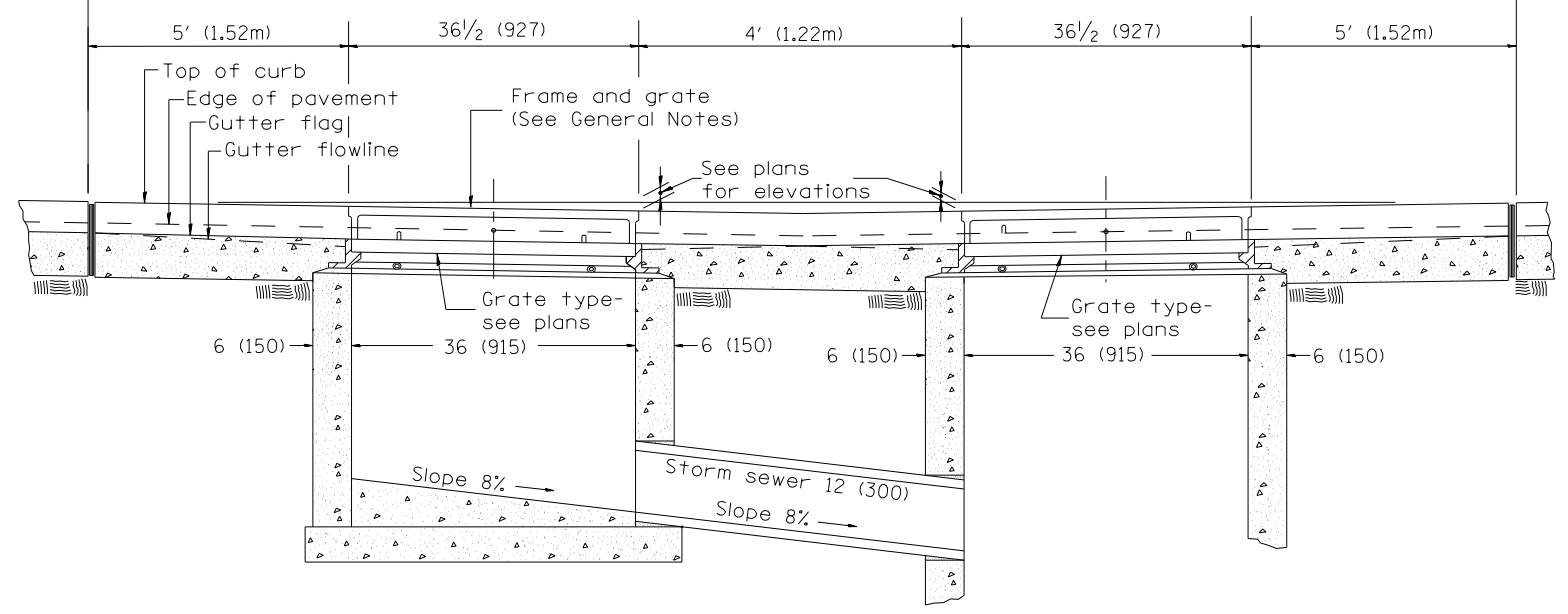
F.A.P. RTE.	SECTION	COUNTY	TOTAL SHEETS	SHEET NO.
669	16-00045-01-SW	TAZEWELL	155	103
FED. ROAD DIST. NO.			ILLINOIS FED. AID PROJECT	
			CONTRACT NO. 89713	

DESIGNER NOTES:

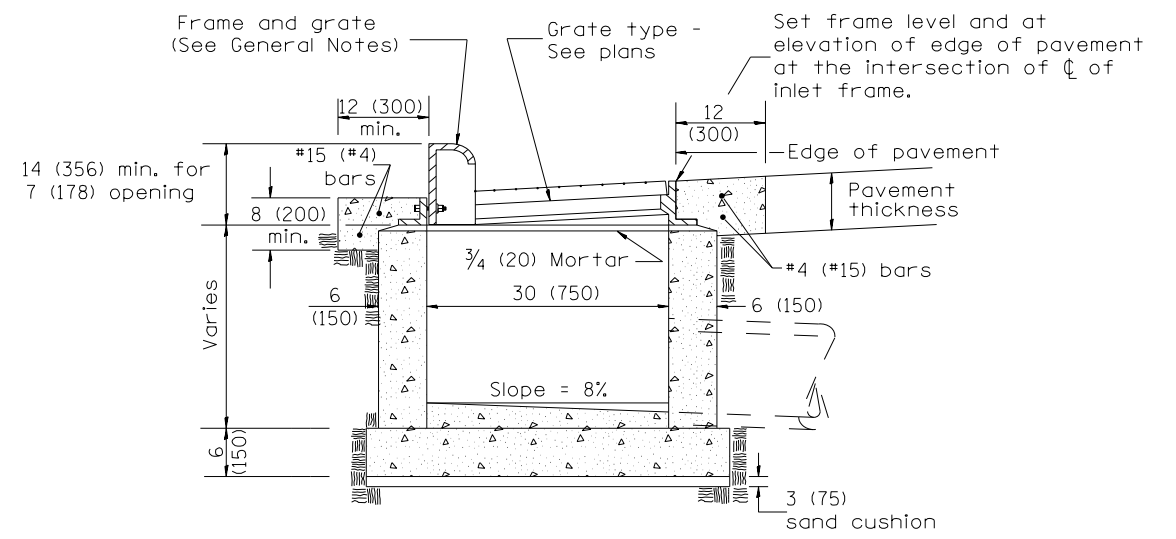
1. Include State Standard 606001 for combination concrete curb and gutter details.
2. Include State Standard 420001 for pavement joints.
3. Include District CADD Standard for frame and grates and specify grate type in plans.
4. Include District CADD Standard for frame and grates transitional c.c.c & g., inlet and frame and grate. All work within pay limits.
5. The designer should include pavement removal quantities when the apron requires pavement removal.



PLAN



FRONT ELEVATION



ELEVATION (SIDE)

GENERAL NOTES

1. Inlet construction shall be in accordance with Section 602 of the Standard Specifications.
2. Combination Concrete Curb & Gutter shall be constructed in accordance with Section 606 of the Standard Specifications.
3. See District CADD Standard 604001-D4 for frame and grates.

All dimensions are in inches (millimeters) unless otherwise noted.

01-01-97	RENUM. B-4.03, NEW REVISION BOX	T.P.	10-16-06	REVISED TO 2007 SPEC.	M.A.
04-01-97	CORRECT PAVT SLOPE	J.A.			
10-99	REVISION TO GENERAL NOTES	J.A.			
02-00	REVISION TO DESIGNER NOTES	J.A.			

STATE OF ILLINOIS
DEPARTMENT OF TRANSPORTATION

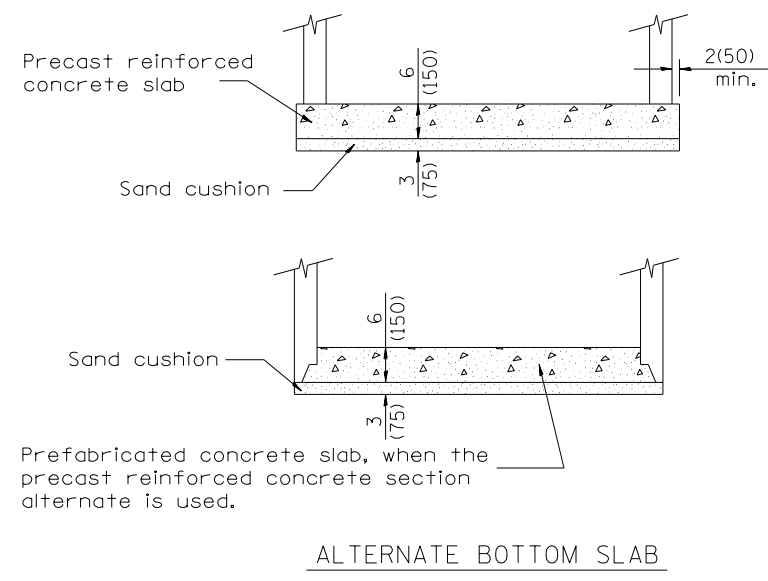
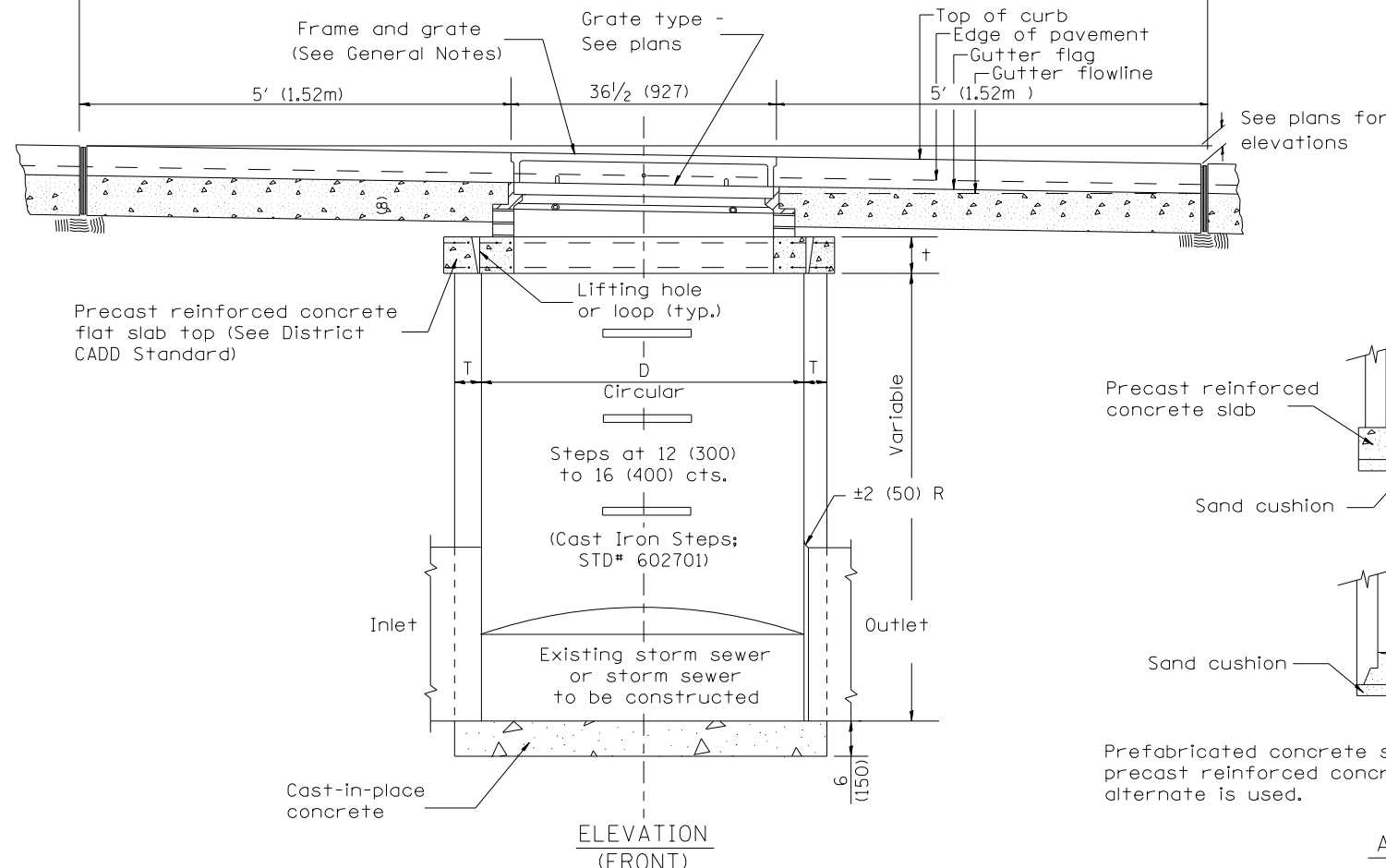
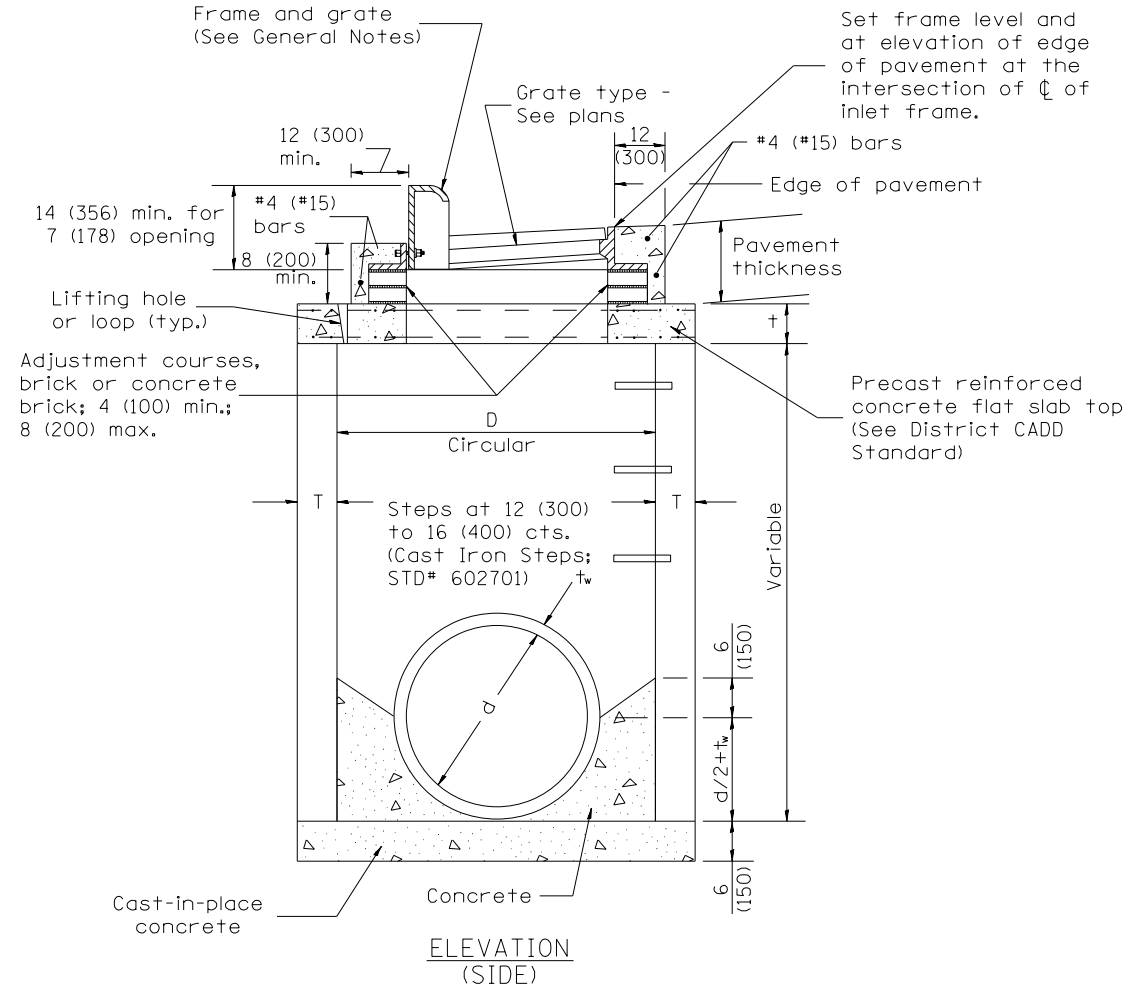
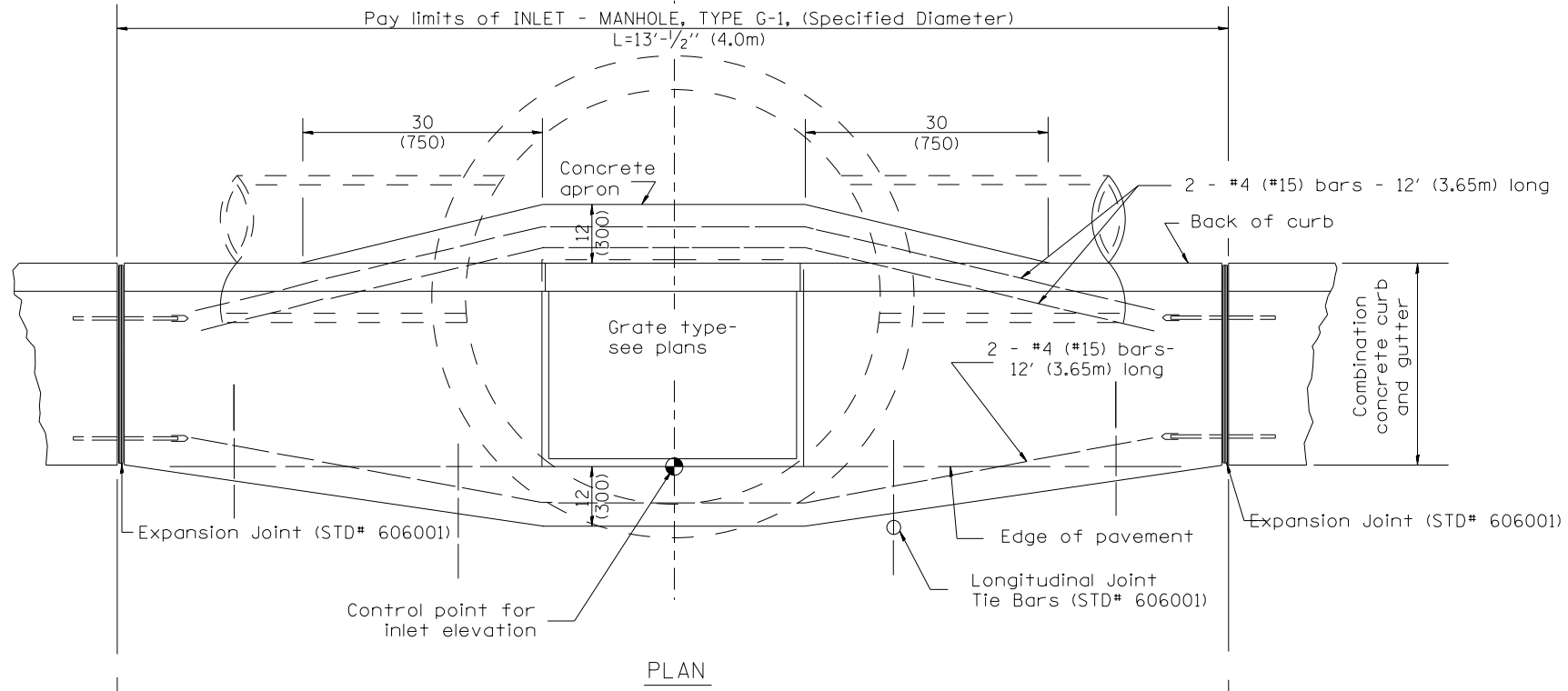
NOT TO SCALE

INLETS, TYPE G-1 DOUBLE

CADD STD. 602011-D4

F.A.P. RTE.	SECTION	COUNTY	TOTAL SHEETS	SHEET NO.
669	16-00045-01-SW	TAZEWELL	155	104
CONTRACT NO. 89713				
FED. ROAD DIST. NO. ILLINOIS FED. AID PROJECT				

DESIGNER NOTES:
 1. Include State STD# 606001 for combination concrete curb and gutter details.
 2. Include State STD# 420001 for pavement joints.
 3. Include State STD# 602701 for cast iron steps.
 4. Include District CADD Standard for frame and grates and specify grate type in plans.
 5. Include District CADD Standard for precast reinforced concrete flat slab top.
 6. Include District Special Provision. Pay item includes inlet - manhole, flat slab top, transitional c.c.&g. and frame and grate. All work within pay limits.
 7. Specify diameter of inlet - manhole in plans.
 8. The designer should include pavement removal quantities when the apron requires pavement removal.



TABLE

D	T	+
4' (1.2m)	5 (125)	6 (150)
5' (1.5m)	6 (150)	8 (200)
6' (1.8m)	7 3/4 (195)	8 (200)
8' (2.4m)	9 (225)	10 (250)

- GENERAL NOTES
1. Inlet-manhole construction shall be in accordance with Section 602 of the Standard Specifications.
 2. Combination concrete curb and gutter shall be constructed in accordance with Section 606 of the Standard Specifications.
 3. See District CADD Standard 604001-D4 for frame and grates.
 4. See District CADD Standard for precast reinforced concrete flat slab top.

01-01-97	RENUM. B-4.05, NEW REVISION BOX		
10-99	REVISION TO GENERAL NOTES	J.A.	
02-00	REVISION TO DESIGNER NOTES	J.A.	
10-16-06	REVISED TO 2007 SPEC.	M.A.	

STATE OF ILLINOIS
 DEPARTMENT OF TRANSPORTATION

NOT TO SCALE

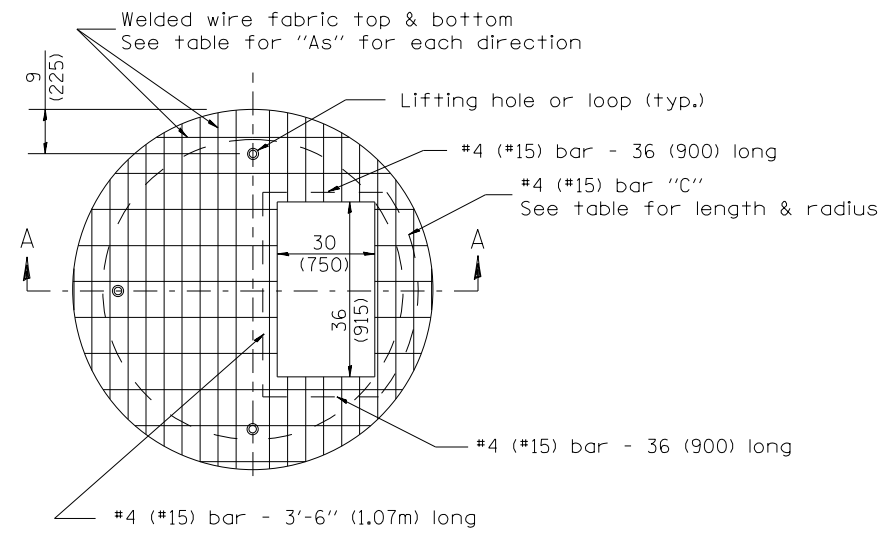
INLET-MANHOLE, TYPE G-1

CADD STD. 602021-D4

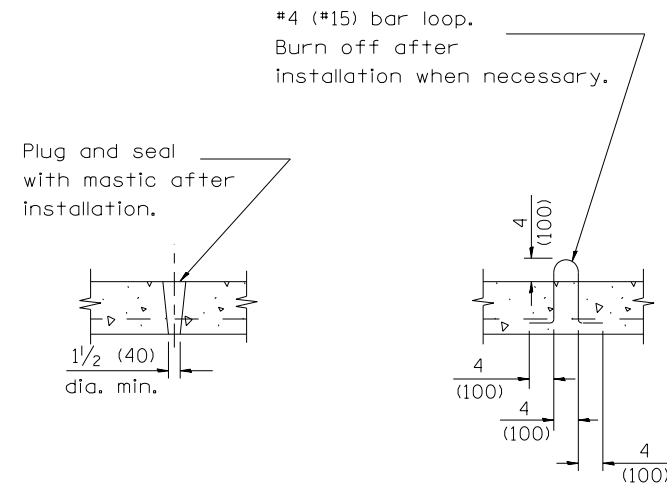
All dimensions are in inches (millimeters) unless otherwise noted.

F.A.P. RTE.	SECTION	COUNTY	TOTAL SHEETS	SHEET NO.
669	16-00045-01-SW	TAZEWELL	155	105
CONTRACT NO. 89713				
FED. ROAD DIST. NO.	ILLINOIS	FED. AID PROJECT		

DESIGNER NOTES:
 1. Include this standard with Type G-1 and Type G-1, Special Inlet-Manholes.
 2. The flat slab top is included in the cost of INLET-MANHOLES as per District Special Provision.

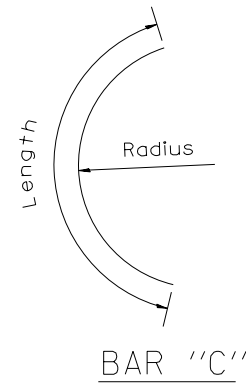


PLAN



LIFTING HOLE OR LIFTING LOOP
 TYPICAL

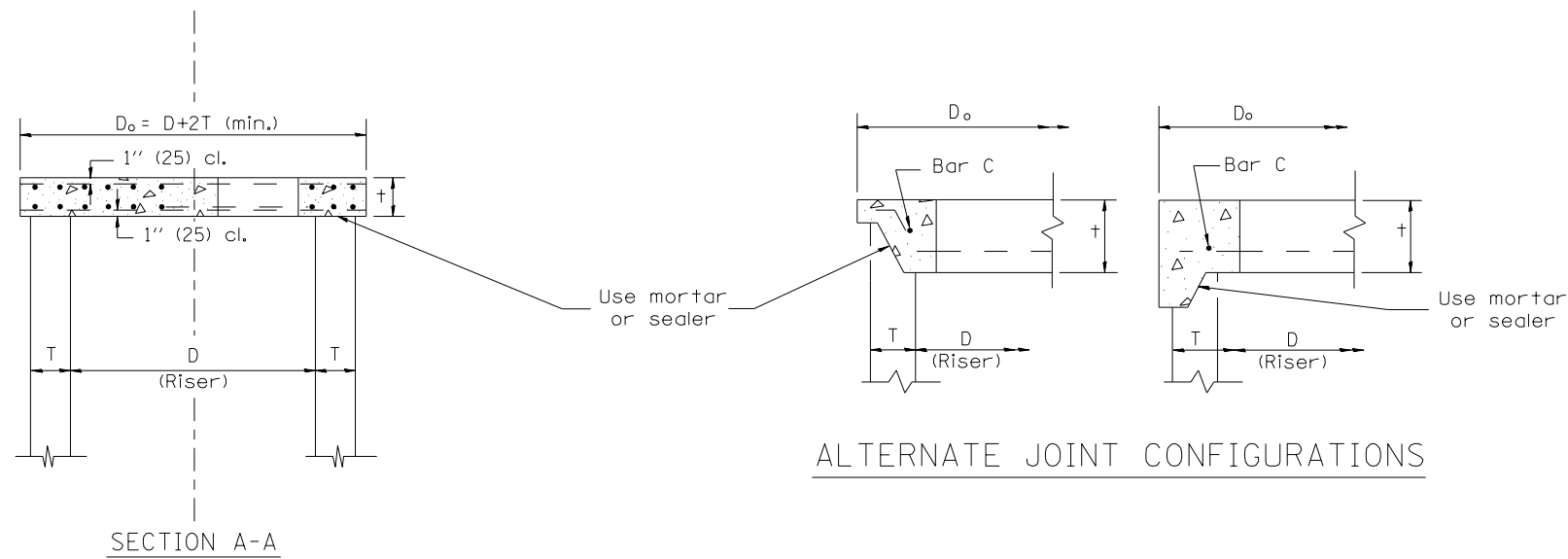
(3 required per slab)



BAR "C"

TABLE

D	T	D _o (min.)	t	Reinforcement "As" W.W.F. each direction	Bar size	No. 15 (No. 4) Bar C	
						Length	Radius
4' (1.2m)	5 (125)	4'-10" (1.5m)	6 (150)	0.70 sq. inch/lin. ft. (1480mm ² /m)	No. 15 (No. 5)	1.35m (4'-6")	660 (26)
5' (1.5m)	6 (150)	6'-0" (1.8m)	8 (200)	0.70 sq. inch/lin. ft. (1480mm ² /m)	No. 15 (No. 5)	1.5m (5'-0")	810 (32)
6' (1.8m)	7 3/4 (195)	7'-3 1/2" (2.2m)	8 (200)	0.88 sq. inch/lin. ft. (1860mm ² /m)	No. 20 (No. 6)	1.8m (6'-0")	965 (38)
8' (2.4m)	9 (225)	9'-6" (2.9m)	10 (250)	0.88 sq. inch/lin. ft. (1860mm ² /m)	No. 20 (No. 6)	2.3m (7'-6")	1.27m (4'-2")

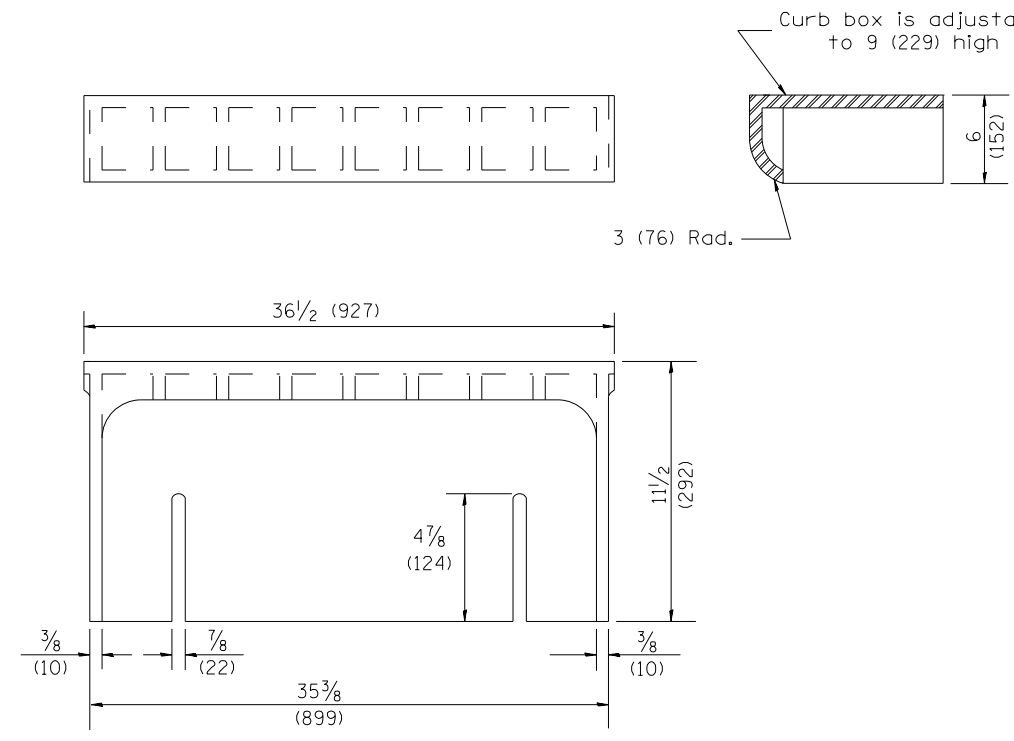


GENERAL NOTES

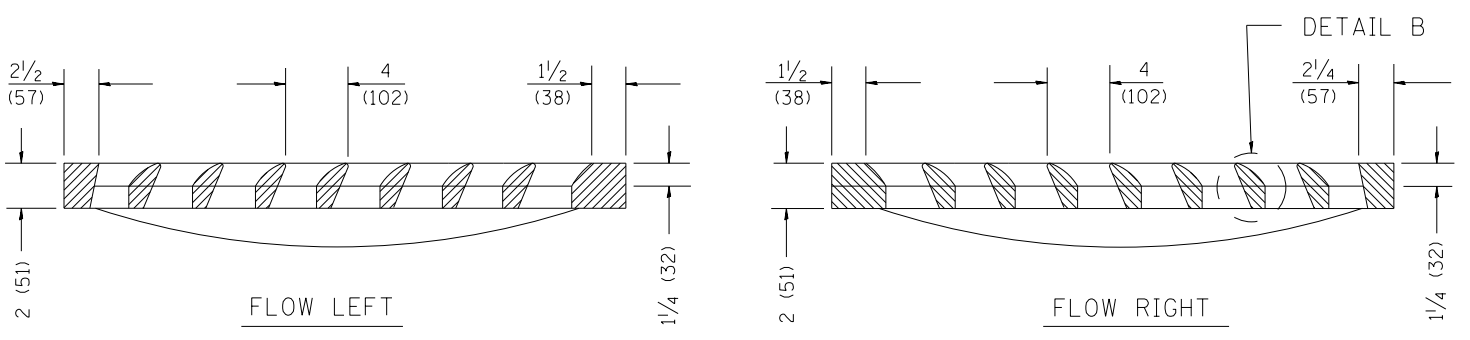
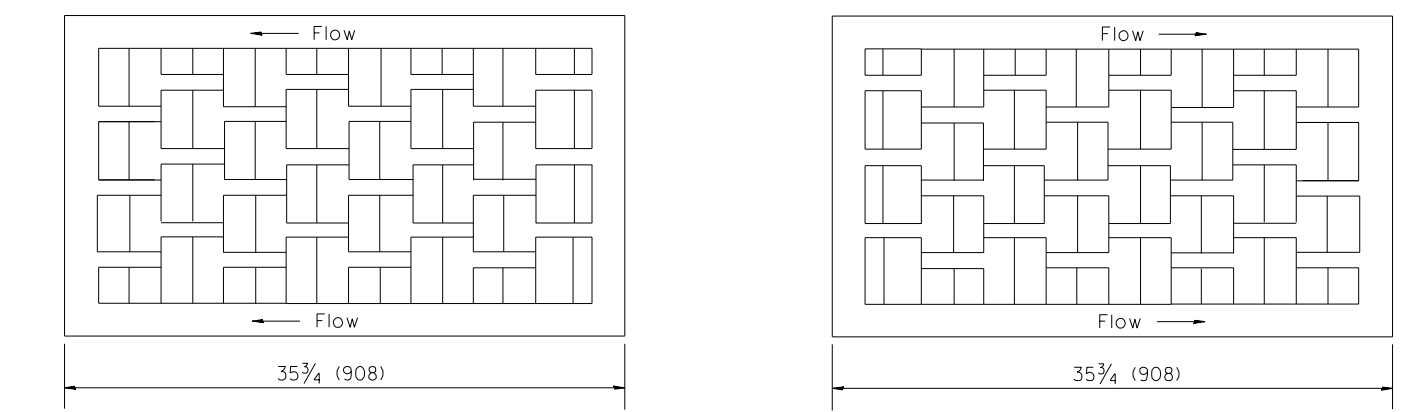
1. The precast reinforced concrete flat slab top shall be used with INLET-MANHOLE, TYPE G-1 and INLET-MANHOLE, TYPE G-1, SPECIAL.
2. Joint configuration and dimensions of flat slab top shall match and fit the riser joint detail.
3. Lifting devices shall be approved by the Engineer.

All dimensions are in inches (millimeters) unless otherwise noted.

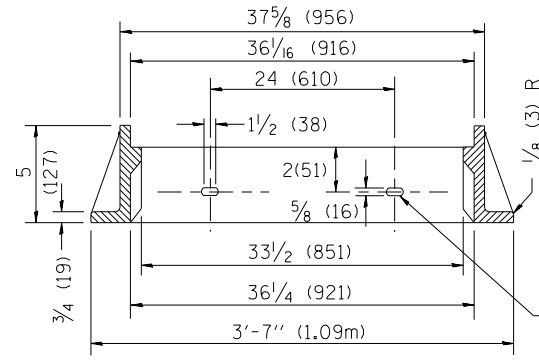
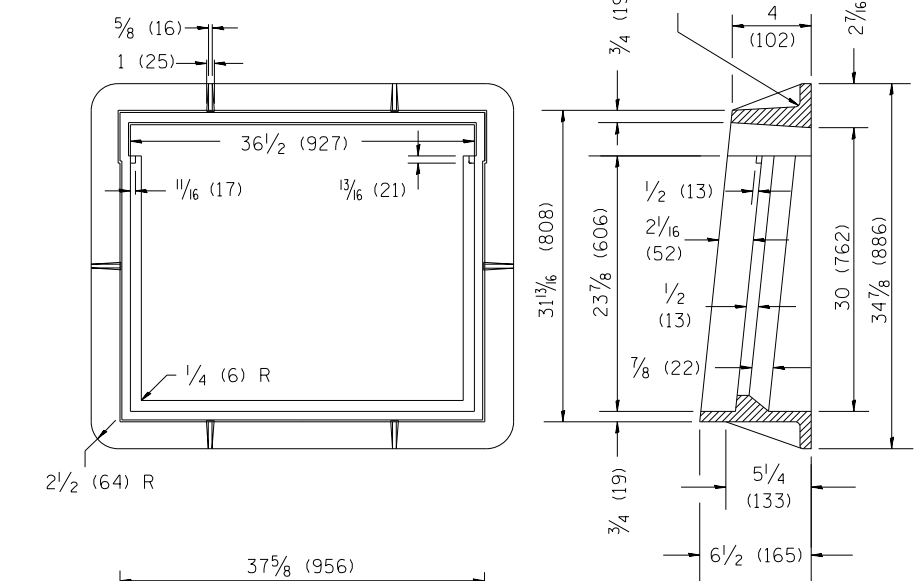
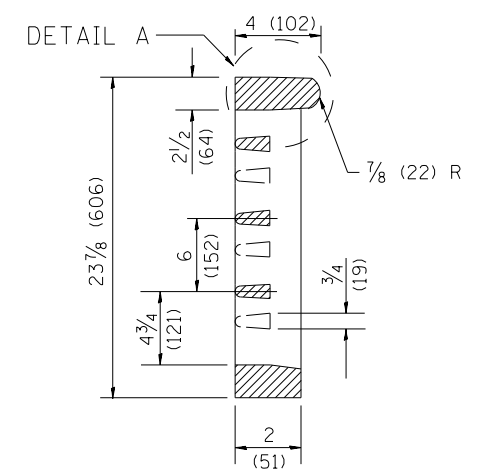
1. Include this standard with all Type G-1 and Type G-1, Special Drainage Structures.
 2. Specify grate types and flow directions in plans.
 3. These castings are included in the cost of the drainage structures as per District Special Provision.
 4. This drawing based upon "NEENAH" designs as follows: Inlet Frame: R-3246-A, Curb Box: R-3290
 Reversible Diagonal Grate: R-3246-A
 Vane Grates: R-3246-AL(flow left)
 R-3246-AL(flow right)



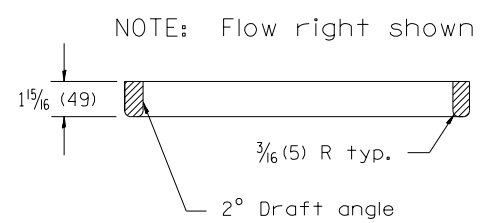
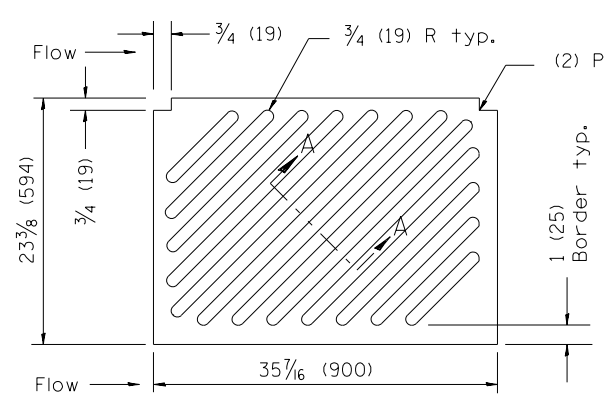
CAST CURB BOX
110 lbs. (50 kg)



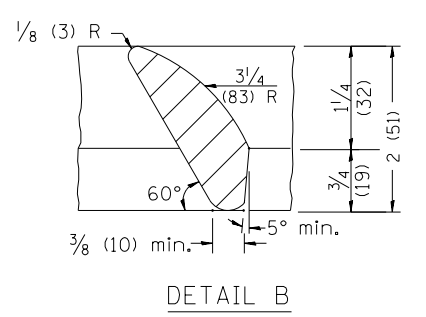
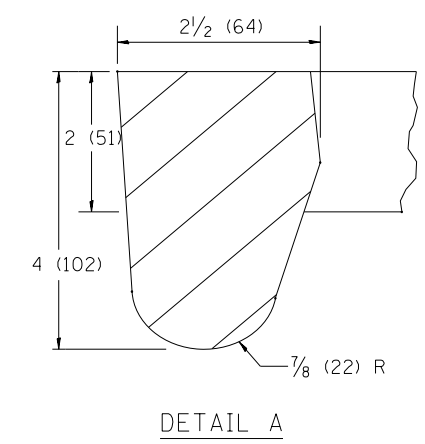
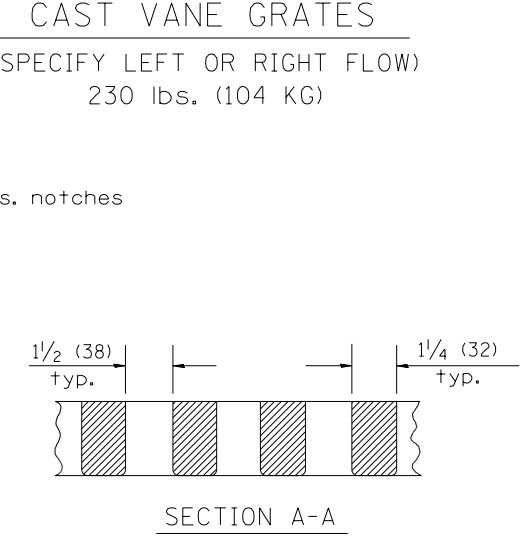
CAST VANE GRATES
(SPECIFY LEFT OR RIGHT FLOW)
230 lbs. (104 KG)



CAST FRAME
271 lbs. (123 kg)



CAST DIAGONAL GRATE
(Reversible for flow)
217 lbs. (98 kg)



GENERAL NOTES

- The frame and grate shown on this drawing are for use with all TYPE G-1 and TYPE G-1, SPECIAL DRAINAGE STRUCTURES. See plans for grate type and flow direction.
- Flow direction: As viewed from street side.
- Material: cast gray iron.

All dimensions are in inches (millimeters) unless otherwise noted.

01-01-97	RENUM. B-10.01, NEW REVISION BOX	T.P.
10-16-06	REVISED TO 2007 SPEC.	M.A.

STATE OF ILLINOIS
DEPARTMENT OF TRANSPORTATION

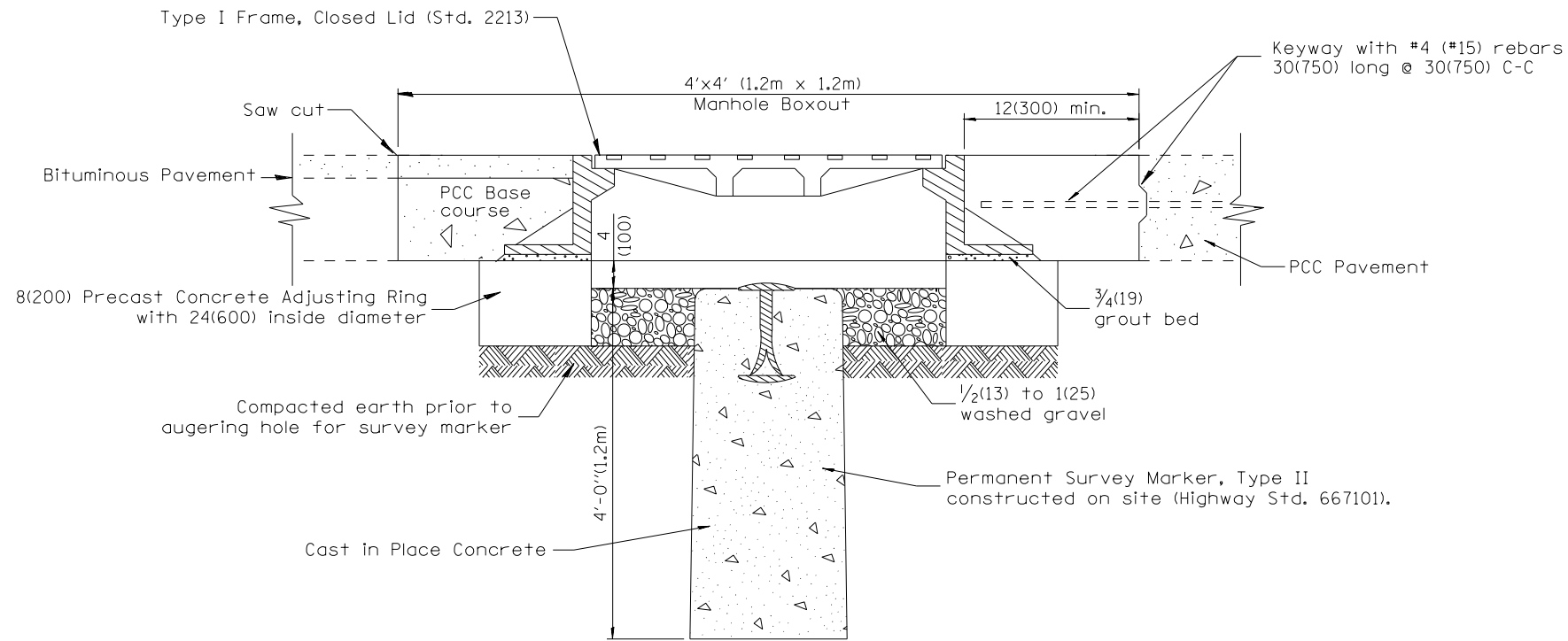
FRAME & GRATES FOR TYPE G-1 AND TYPE G-1,
SPECIAL DRAINAGE STRUCTURES

NOT TO SCALE

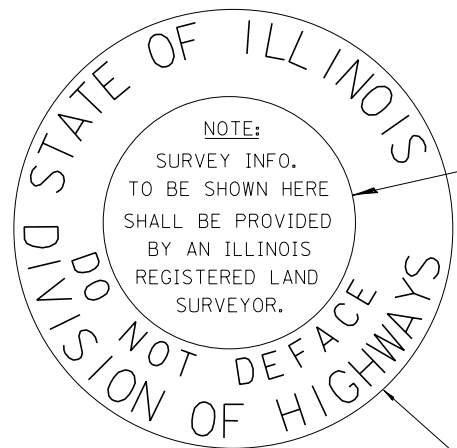
CADD STD. 604001-D4

F.A.P. RTE.	SECTION	COUNTY	TOTAL SHEETS	SHEET NO.
669	16-00045-01-SW	TAZEWELL	155	107
			CONTRACT NO. 89713	
FED. ROAD DIST. NO.	ILLINOIS	FED. AID PROJECT		

DESIGNER NOTES:
 1. Include Highway Standard 667101 for PERMANENT SURVEY MARKERS.
 2. Include District Special Provisions.
 3. Check with the District Chief Surveyor prior to using this installation.



ELEVATION



The tablet used for the permanent survey marker shall conform to Highway Std. 667101, except the tablet shall be made of brass and the top surface shall be as shown.

TOP OF TABLET

GENERAL NOTES:

1. This work shall be performed in accordance with Article 667.04.

All dimensions are in inches (millimeters) unless otherwise noted.

01-01-97	RENUM. D-3.02, NEW REVISION BOX	T.P.							
10-16-06	REVISED TO 2007 SPEC.	M.A.							
01-06-11	REVISED FOR CORRECTIONS	R.D.							
08-25-15	REQUIRED BRASS MATERIAL	R.D.							

STATE OF ILLINOIS
 DEPARTMENT OF TRANSPORTATION

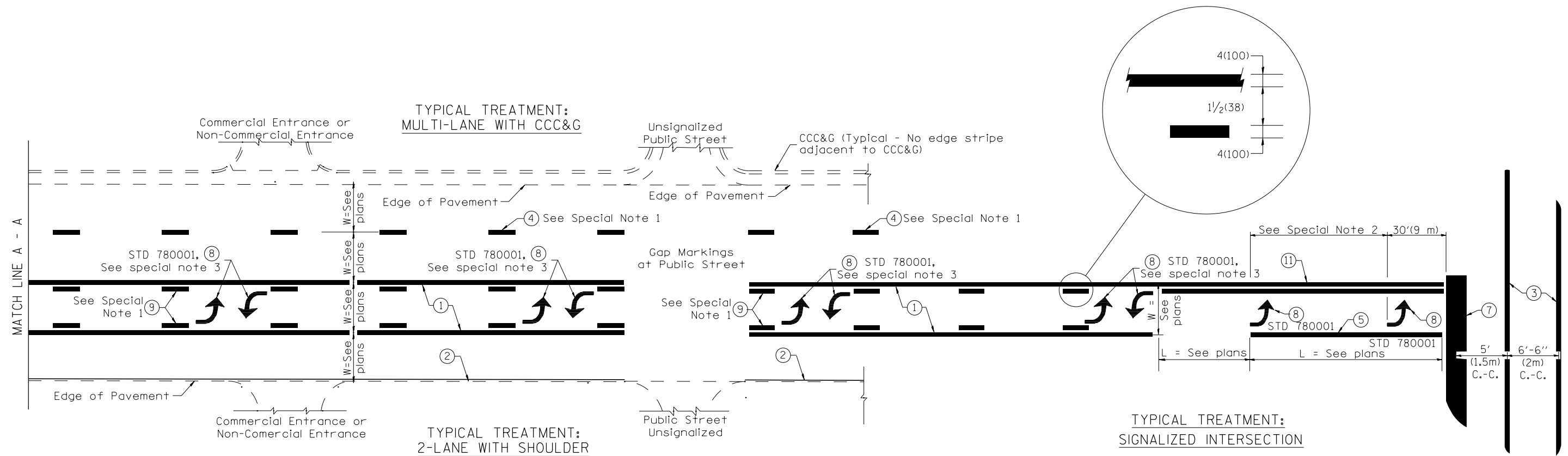
PERMANENT SURVEY MARKER TYPE II (SPECIAL)

NOT TO SCALE

CADD STD. 667106-D4

F.A.P. RTE.	SECTION	COUNTY	TOTAL SHEETS	SHEET NO.
669	16-00045-01-SW	TAZEWELL	155	108
FED. ROAD DIST. NO. ILLINOIS FED. AID PROJECT			CONTRACT NO. 89713	

DESIGNER NOTES:
1. Include State Standard 780001 (Typical Pavement Markings)



**FLUSH PAVED MEDIAN: TWO-WAY LEFT TURN LANE
WITH ONE-WAY LEFT TURN LANE AT SIGNALIZED INTERSECTION**

TYPICAL PAVEMENT MARKING LEGEND

(Note: This is a District Standard Legend. Some elements may not apply to specific project.)

- ① 4(100) Solid (Yellow)
- ② 4(100) Solid (White)
- ③ 2-6(150) Crosswalk @ 6'-6" (2m)min C.-C. (White)
2-8(200) Crosswalk @ 6'-6" (2m)min C.-C. (White) (When traffic signals are present.)
- ④ 6(150) Skip-Dash (White) (See Special Note 1)
- ⑤ 8(200) Solid (White)
- ⑥ 12(300) Diagonal (White) (Item ⑥ is shown on Std. 780001)
- ⑦ 24(600) Stop Bar (White)
- ⑧ Letters & Arrows (See Std. 780001 and Special Notes 2 & 3)
- ⑨ 4(100) Skip-Dash (Yellow) (See Special Note 1)
- ⑩ 12(300) Diagonal (Yellow) (See Table A) (See Table A)
- ⑪ 4(100) Double Solid (Yellow) (See Table A)

SPECIAL NOTES

1. Skip-Dash markings will be centered between both ends of city blocks and shall be placed in alignment transversely across the pavement.
2. The following shall apply to arrows located in one-way left turn lanes:
 - A. A minimum of two (2) arrows is required.
 - B. The maximum spacing between arrows is 80' (24 m).
 - C. Arrows shall be evenly spaced if three (3) or more are required.
3. The following shall apply to arrow pairs located in two-way left turn lanes:
 - A. A minimum of two (2) arrow pairs is required.
 - B. The maximum spacing between arrow pairs is 200' (61 m).
 - C. Arrow pairs shall be evenly spaced if three (3) or more are required.
 - D. The spacing between Bi Directional Left Turn Arrows is 33' (10 m).

GENERAL NOTES

1. Refer to State Standard 780001 for additional Pavement Markings including letters & arrows.
2. See Plans for Pavement Markings adjacent to curbed islands and medians, and through lane reductions.
3. Refer to Article 780.13 for letter, number and symbol areas (sq. ft.)
4. Areas are grooved 1" beyond each edge for the following symbols:
 - Through Arrow= 14.8 sq. ft.
 - Large Left or Right Arrow= 21.9 sq. ft.
 - 2 Arrow Combination Left (or Right) and Through= 34.9 sq. ft.
 - Wrong Way Arrow= 29.5 sq. ft.
 - Railroad Crossing Symbol= 69.8 sq. ft.
 (For further information, refer to BDE Special Provision: Grooving for Recessed Pavement Markings)

01-01-97	RENUM. F-8.03, NEW REVISION BOX	T.P.	10-16-06	REVISED TO 2007 SPEC.	
02-07-97	ADD BI DIRECTIONAL DIMENSION	J.A.	2/29/16	ADDED GROOVING AREAS	R.D.
10-97	CORRECT BI DIRECTIONAL DIMENSION	J.A.			
08-02	ADD CROSSWALK DMNS. WITH T.S.	M.A.			

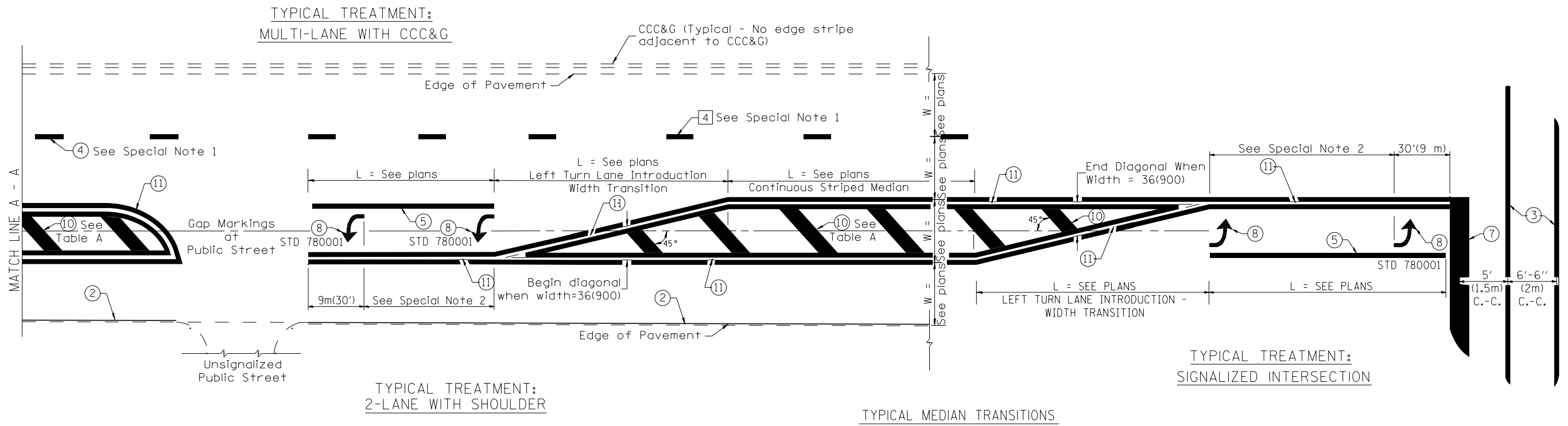
**STATE OF ILLINOIS
DEPARTMENT OF TRANSPORTATION**

TYPICAL PAVEMENT MARKINGS

NOT TO SCALE

SHT. 1 OF 2
CADD STD. 780001-D4

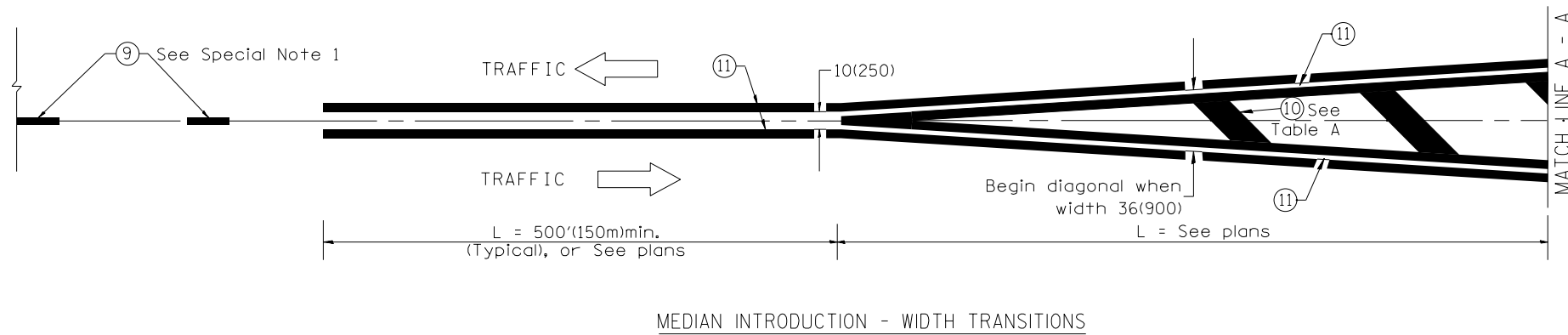
F.A.P. RTE.	SECTION	COUNTY	TOTAL SHEETS	SHEET NO.
669	16-00045-01-SW	TAZEWELL	155	109
FED. ROAD DIST. NO. ILLINOIS FED. AID PROJECT			CONTRACT NO. 89713	



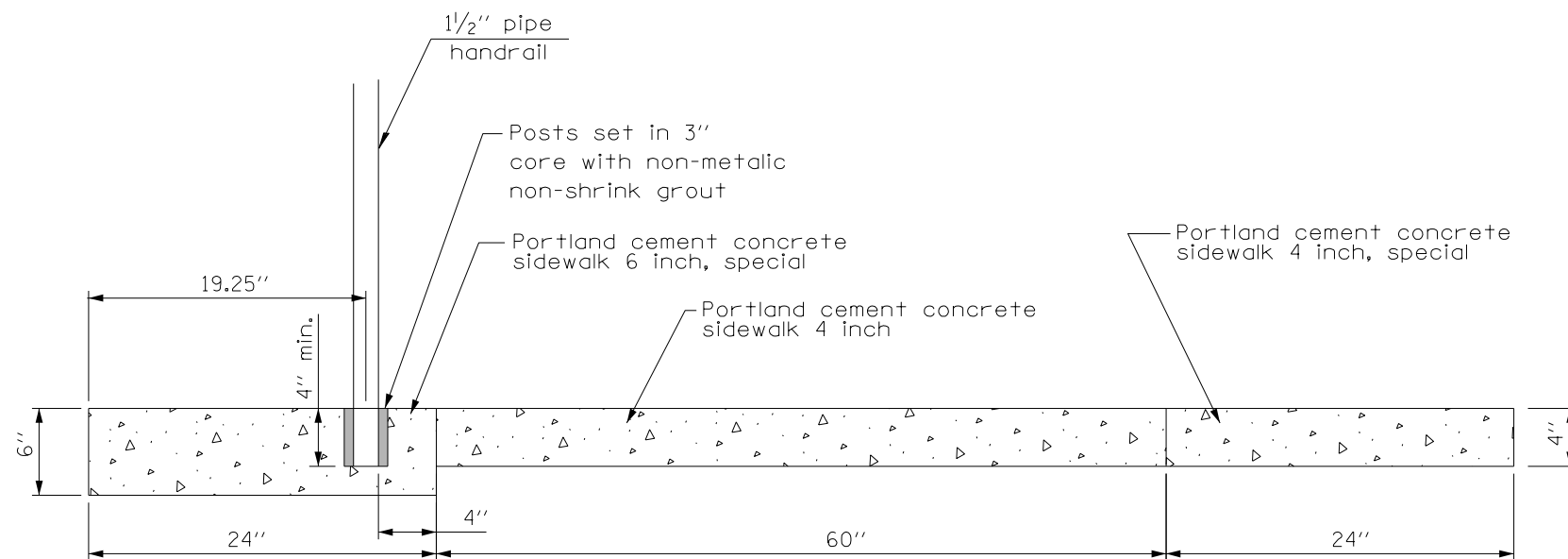
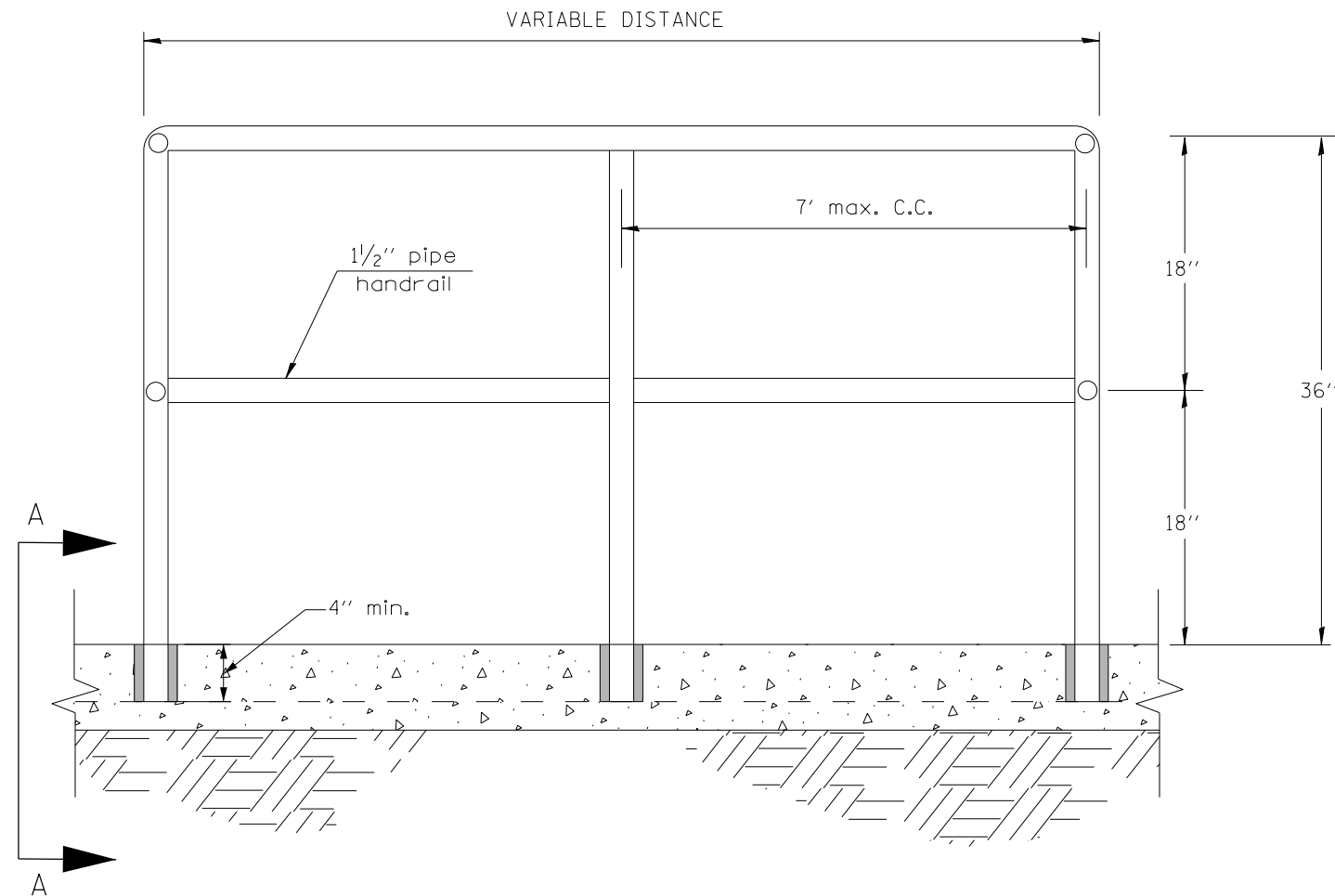
FLUSH PAVED MEDIAN: RESTRICTED LEFT TURN LANE

TABLE A
RECOMMENDED SPACING BETWEEN DIAGONAL LINES

SPEED LIMIT RANGE	INTERSECTION CHANNELIZATION (Includes Width Transitions for Median and Left Turn Lane Introductions)	
	CONTINUOUS	
Less Than 30 mph (50 km/h)	50' (15m)	15' (5m)
30 - 45 mph (50 - 70 km/h)	75' (23m)	20' (6m)
Over 45 mph (70 km/h)	150' (46m)	30' (9m)



All dimensions are in inches (millimeters) unless otherwise noted.



SECTION A-A

GENERAL NOTES:

1. Article 509.04 of the Standard Specifications shall apply.
2. Connection of railing to posts shall be made by continuous welding or with using standard pipe fitting.
3. An equivalent epoxy anchor stud can be used in place of anchor shown. Anchor bolt holes shall be 3/4(20) in diameter and 5(125) deep. They shall be predrilled with an electric hammer drill to a depth of 4(100) prior to use of a pneumatic drill for the remaining 4(100). A two component encapsulated epoxy such as "Parabond" or an equivalent shall be used. Installation shall be according to Manufacturer's recommendations.
4. The pipe handrail shall be galvanized by the hot dip process. Color shall be black.
5. The contractor shall submit shop drawings to the engineer for approval prior to ordering the material for pipe handrail.

All dimensions are in inches (millimeters) unless otherwise noted.

01-01-97	RENUM. B-11.01, METRICS, NEW REVISION BOX,	T.P.			
	REVISED TITLE BOX, REVISED NOTES				
10-16-06	REVISED TO 2007 SPEC.	M.A.			

**STATE OF ILLINOIS
DEPARTMENT OF TRANSPORTATION**

PIPE HANDRAIL DETAIL

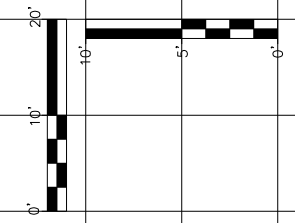
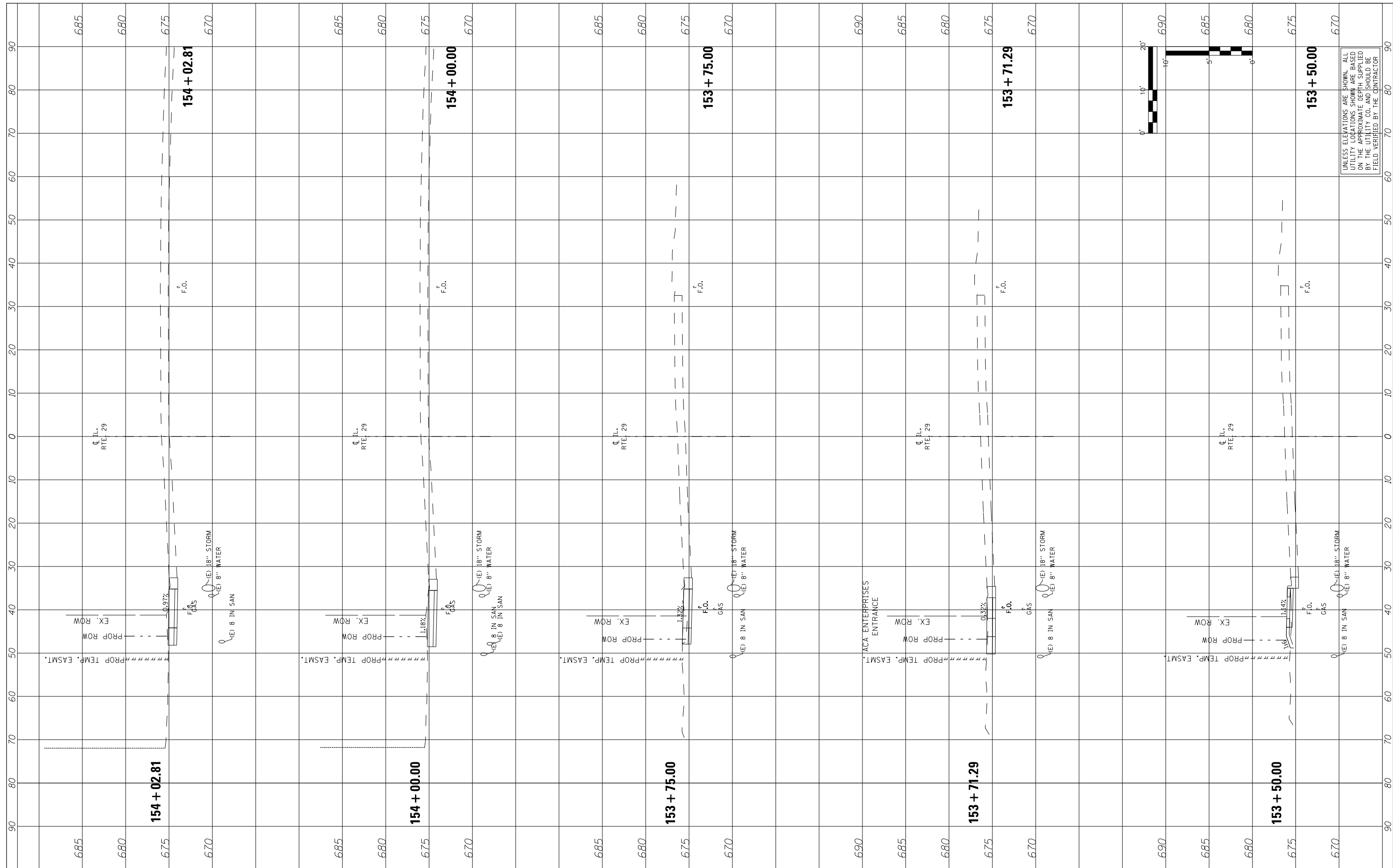
NOT TO SCALE

CADD STD.

F.A.P. RTE.	SECTION	COUNTY	TOTAL SHEETS	SHEET NO.
669	16-00045-01-SW	TAZEWELL	155	111
			CONTRACT NO. 89713	
FED. ROAD DIST. NO.	ILLINOIS	FED. AID PROJECT 05E2122)		

NO.	FINISH SURVEY	SURVEYED	BY	DATE
	NOTE BOOK	PLOTTED		
	AREAS CHECKED	TEMPLATE		
		AREAS CHECKED		

NO.	ORIGINAL SURVEY	SURVEYED	BY	DATE
	NOTE BOOK	PLOTTED		
	AREAS CHECKED	TEMPLATE		
		AREAS CHECKED		



UNLESS ELEVATIONS ARE SHOWN, ALL UTILITY LOCATIONS SHOWN ARE BASED ON THE APPROXIMATE DEPTH SUPPLIED BY THE UTILITY CO. AND SHOULD BE FIELD VERIFIED BY THE CONTRACTOR

USER NAME = 100T	DESIGNED - KMC	REVISED -
	DRAWN - KRS DLC	REVISED -
PLOT SCALE = 20.0000' / in.	CHECKED - RDC	REVISED -
PLOT DATE = 1/22/2019	DATE -	REVISED -

**STATE OF ILLINOIS
DEPARTMENT OF TRANSPORTATION**

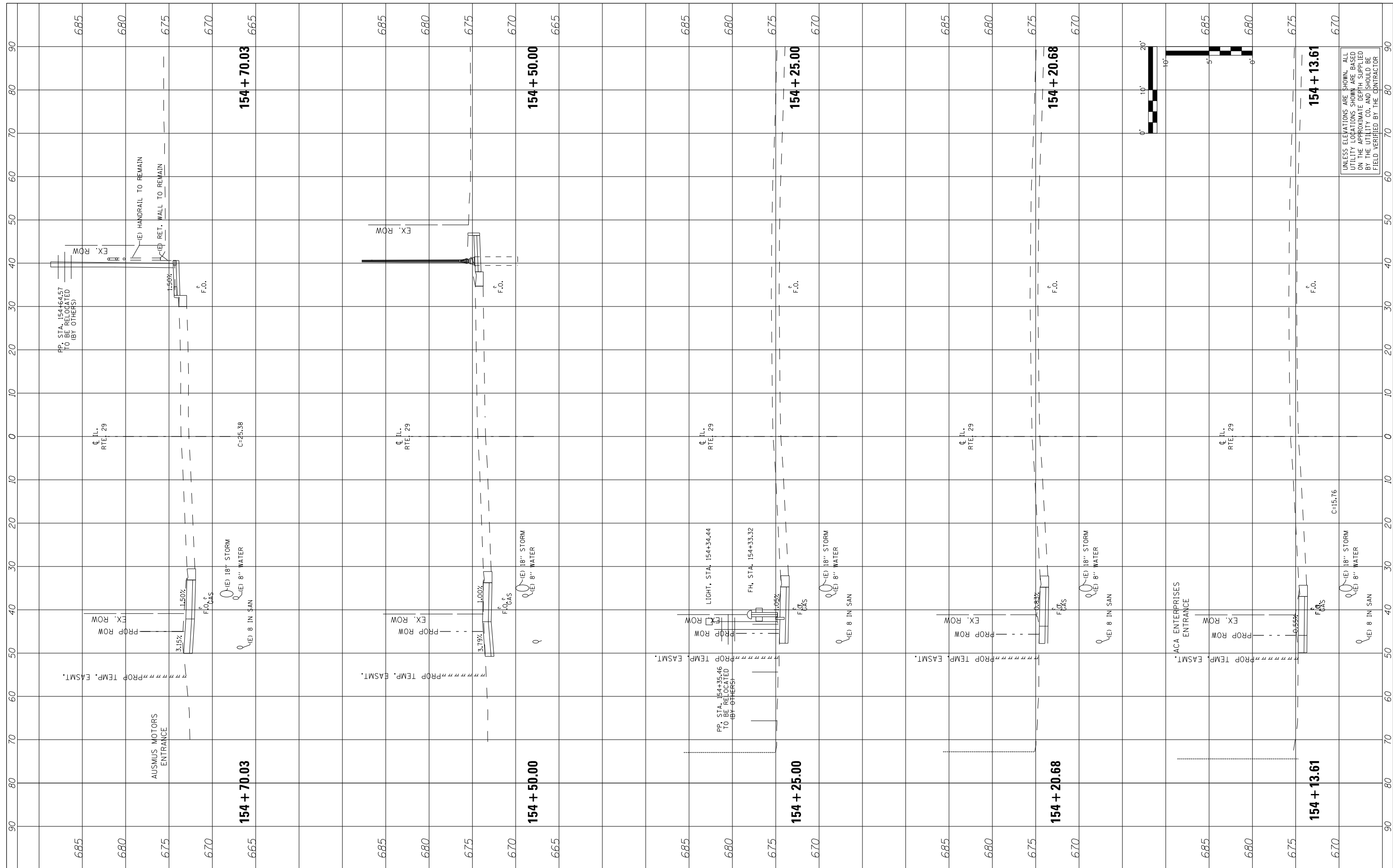
CROSS SECTIONS

SCALE: SHEET OF SHEETS STA. 153+50.00 TO STA. 154+02.81

F.A.P. RTE. 669	SECTION 16-00045-01-SW	COUNTY TAZEWELL	TOTAL SHEETS 155	SHEET NO. 112
CONTRACT NO. 89713			ILLINOIS FED. AID PROJECT 05E2(122)	

FINAL SURVEY NO.	SURVEY PLOTTED TEMPLATE AREAS CHECKED	BY	DATE

ORIGINAL SURVEY NO.	SURVEY PLOTTED TEMPLATE AREAS CHECKED	BY	DATE



UNLESS ELEVATIONS ARE SHOWN, ALL UTILITY LOCATIONS SHOWN ARE BASED ON THE APPROXIMATE DEPTH SUPPLIED BY THE UTILITY CO. AND SHOULD BE FIELD VERIFIED BY THE CONTRACTOR

USER NAME = 100T	DESIGNED - KMC	REVISED -
	DRAWN - KRS DLC	REVISED -
PLOT SCALE = 20.0000' / in.	CHECKED - RDC	REVISED -
PLOT DATE = 1/22/2019	DATE -	REVISED -

**STATE OF ILLINOIS
DEPARTMENT OF TRANSPORTATION**

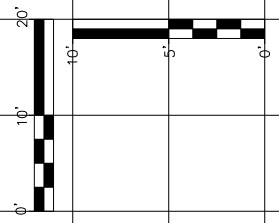
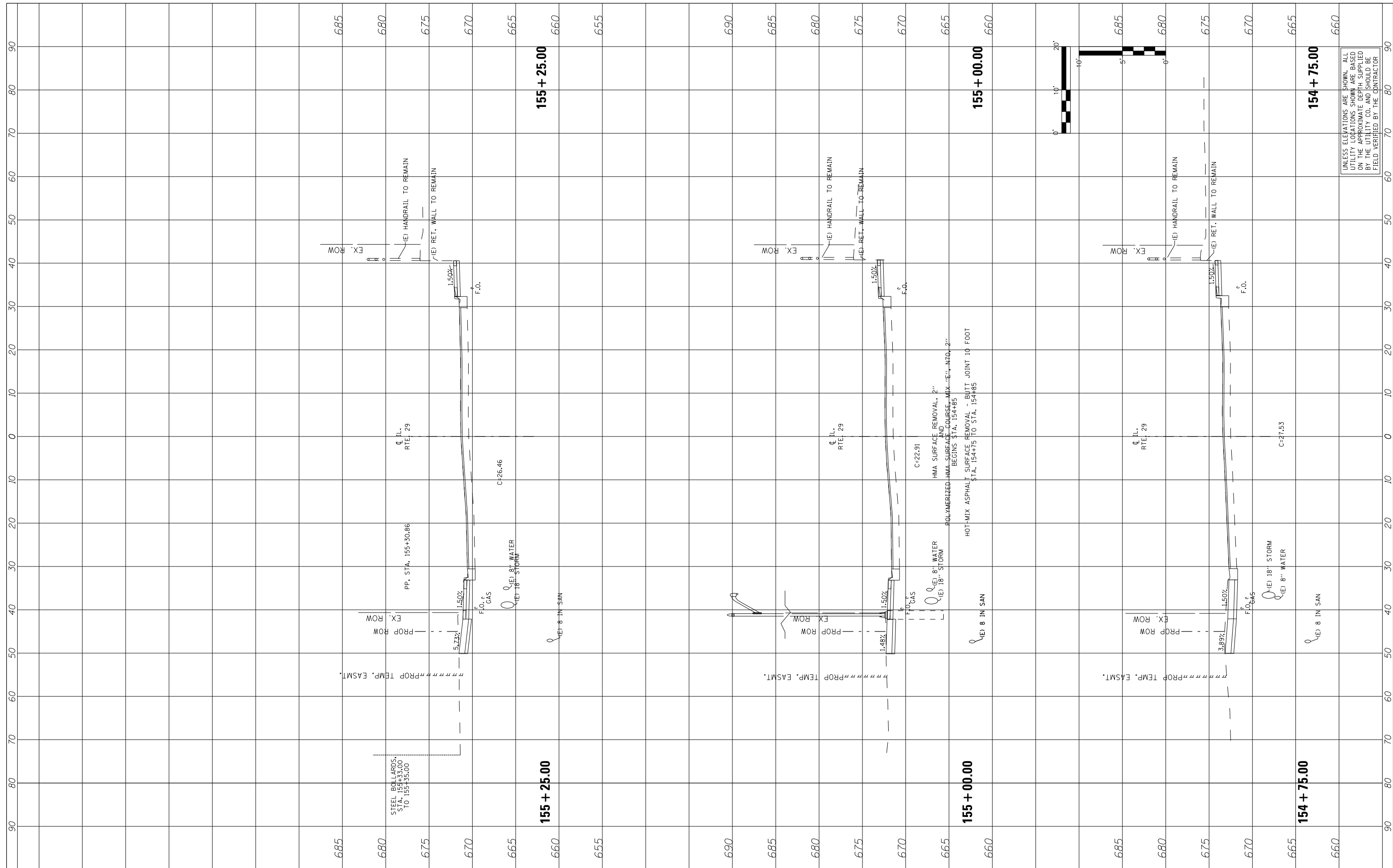
CROSS SECTIONS

SCALE: SHEET OF SHEETS STA. 154+13.61 TO STA. 154+70.03

F.A.P. RTE. 669	SECTION 16-00045-01-SW	COUNTY TAZEWELL	TOTAL SHEETS 155	SHEET NO. 113
CONTRACT NO. 89713				
ILLINOIS FED. AID PROJECT 05E2(122)				

FINAL SURVEY NO.	SURVEYED PLOTTED AREAS CHECKED	BY	DATE
NOTE BOOK	TEMPLATE		
	AREAS CHECKED		

ORIGINAL SURVEY NO.	SURVEYED PLOTTED AREAS CHECKED	BY	DATE
NOTE BOOK	TEMPLATE		
	AREAS CHECKED		



UNLESS ELEVATIONS ARE SHOWN, ALL UTILITY LOCATIONS SHOWN ARE BASED ON THE APPROXIMATE DEPTH SUPPLIED BY THE UTILITY CO. AND SHOULD BE FIELD VERIFIED BY THE CONTRACTOR

USER NAME = 100T	DESIGNED - KMC	REVISED -
	DRAWN - KRS DLC	REVISED -
PLOT SCALE = 20.0000' / in.	CHECKED - RDC	REVISED -
PLOT DATE = 1/22/2019	DATE -	REVISED -

STATE OF ILLINOIS
DEPARTMENT OF TRANSPORTATION

SCALE:	SHEET OF SHEETS	STA. 154+75.00 TO STA. 155+25.00
--------	-----------------	----------------------------------

CROSS SECTIONS

F.A.P. RTE. 669	SECTION 16-00045-01-SW	COUNTY TAZEWELL	TOTAL SHEETS 155	SHEET NO. 114
CONTRACT NO. 89713				
ILLINOIS FED. AID PROJECT 05E2(22)				

NO.	FINISH SURVEY	BY	DATE
	NO. 1		
	NO. 2		
	NO. 3		
	NO. 4		
	NO. 5		
	NO. 6		
	NO. 7		
	NO. 8		
	NO. 9		
	NO. 10		
	NO. 11		
	NO. 12		
	NO. 13		
	NO. 14		
	NO. 15		
	NO. 16		
	NO. 17		
	NO. 18		
	NO. 19		
	NO. 20		
	NO. 21		
	NO. 22		
	NO. 23		
	NO. 24		
	NO. 25		
	NO. 26		
	NO. 27		
	NO. 28		
	NO. 29		
	NO. 30		
	NO. 31		
	NO. 32		
	NO. 33		
	NO. 34		
	NO. 35		
	NO. 36		
	NO. 37		
	NO. 38		
	NO. 39		
	NO. 40		
	NO. 41		
	NO. 42		
	NO. 43		
	NO. 44		
	NO. 45		
	NO. 46		
	NO. 47		
	NO. 48		
	NO. 49		
	NO. 50		
	NO. 51		
	NO. 52		
	NO. 53		
	NO. 54		
	NO. 55		
	NO. 56		
	NO. 57		
	NO. 58		
	NO. 59		
	NO. 60		
	NO. 61		
	NO. 62		
	NO. 63		
	NO. 64		
	NO. 65		
	NO. 66		
	NO. 67		
	NO. 68		
	NO. 69		
	NO. 70		
	NO. 71		
	NO. 72		
	NO. 73		
	NO. 74		
	NO. 75		
	NO. 76		
	NO. 77		
	NO. 78		
	NO. 79		
	NO. 80		
	NO. 81		
	NO. 82		
	NO. 83		
	NO. 84		
	NO. 85		
	NO. 86		
	NO. 87		
	NO. 88		
	NO. 89		
	NO. 90		

NO.	ORIGINAL SURVEY	BY	DATE
	NO. 1		
	NO. 2		
	NO. 3		
	NO. 4		
	NO. 5		
	NO. 6		
	NO. 7		
	NO. 8		
	NO. 9		
	NO. 10		
	NO. 11		
	NO. 12		
	NO. 13		
	NO. 14		
	NO. 15		
	NO. 16		
	NO. 17		
	NO. 18		
	NO. 19		
	NO. 20		
	NO. 21		
	NO. 22		
	NO. 23		
	NO. 24		
	NO. 25		
	NO. 26		
	NO. 27		
	NO. 28		
	NO. 29		
	NO. 30		
	NO. 31		
	NO. 32		
	NO. 33		
	NO. 34		
	NO. 35		
	NO. 36		
	NO. 37		
	NO. 38		
	NO. 39		
	NO. 40		
	NO. 41		
	NO. 42		
	NO. 43		
	NO. 44		
	NO. 45		
	NO. 46		
	NO. 47		
	NO. 48		
	NO. 49		
	NO. 50		
	NO. 51		
	NO. 52		
	NO. 53		
	NO. 54		
	NO. 55		
	NO. 56		
	NO. 57		
	NO. 58		
	NO. 59		
	NO. 60		
	NO. 61		
	NO. 62		
	NO. 63		
	NO. 64		
	NO. 65		
	NO. 66		
	NO. 67		
	NO. 68		
	NO. 69		
	NO. 70		
	NO. 71		
	NO. 72		
	NO. 73		
	NO. 74		
	NO. 75		
	NO. 76		
	NO. 77		
	NO. 78		
	NO. 79		
	NO. 80		
	NO. 81		
	NO. 82		
	NO. 83		
	NO. 84		
	NO. 85		
	NO. 86		
	NO. 87		
	NO. 88		
	NO. 89		
	NO. 90		

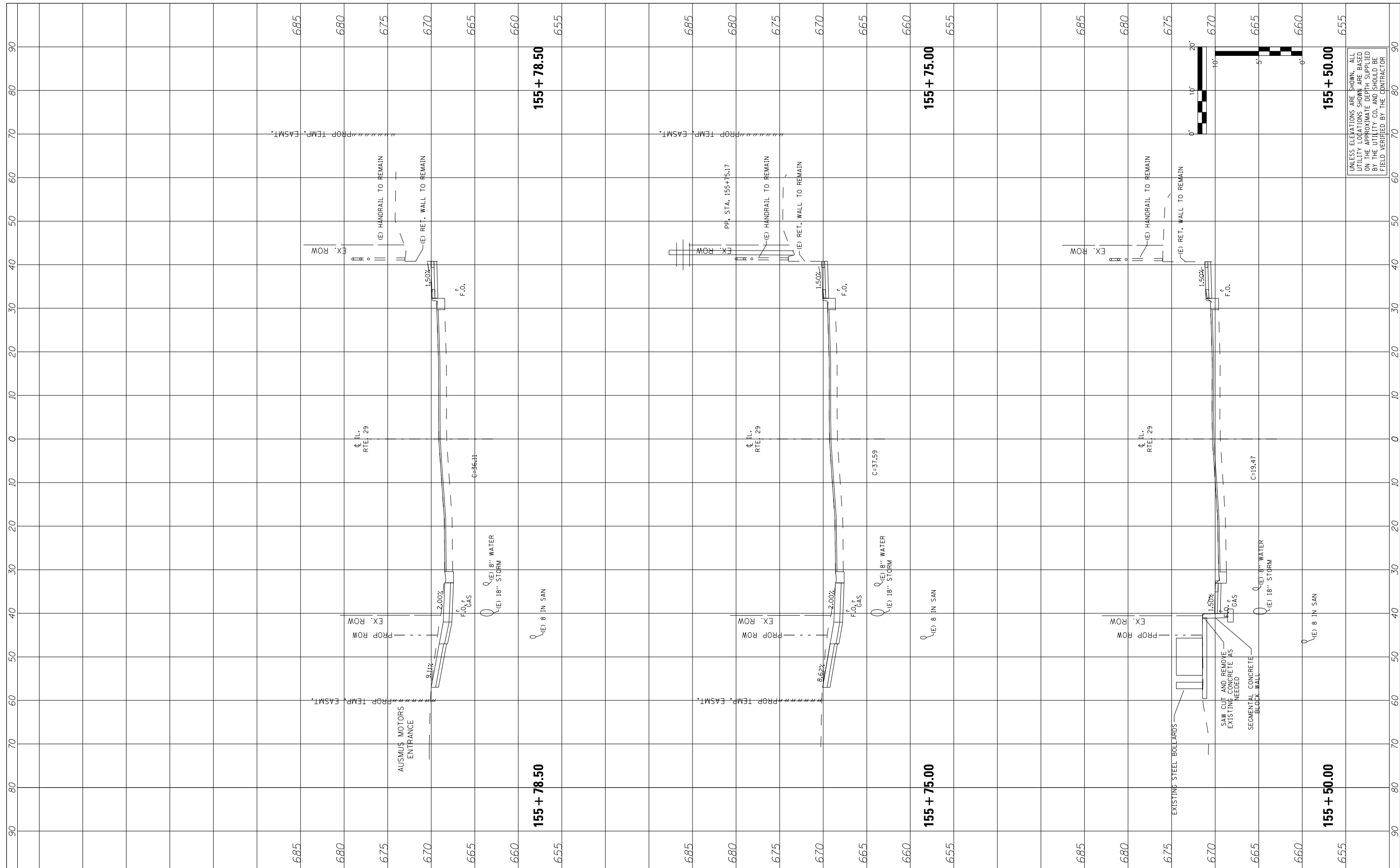
USER NAME = 100T	DESIGNED - KMC	REVISED -
	DRAWN - KRS DLC	REVISED -
PLOT SCALE = 20.0000' / in.	CHECKED - RDC	REVISED -
PLOT DATE = 1/22/2019	DATE -	REVISED -

**STATE OF ILLINOIS
DEPARTMENT OF TRANSPORTATION**

CROSS SECTIONS

SCALE: SHEET OF SHEETS STA. 155+50.00 TO STA. 155+78.50

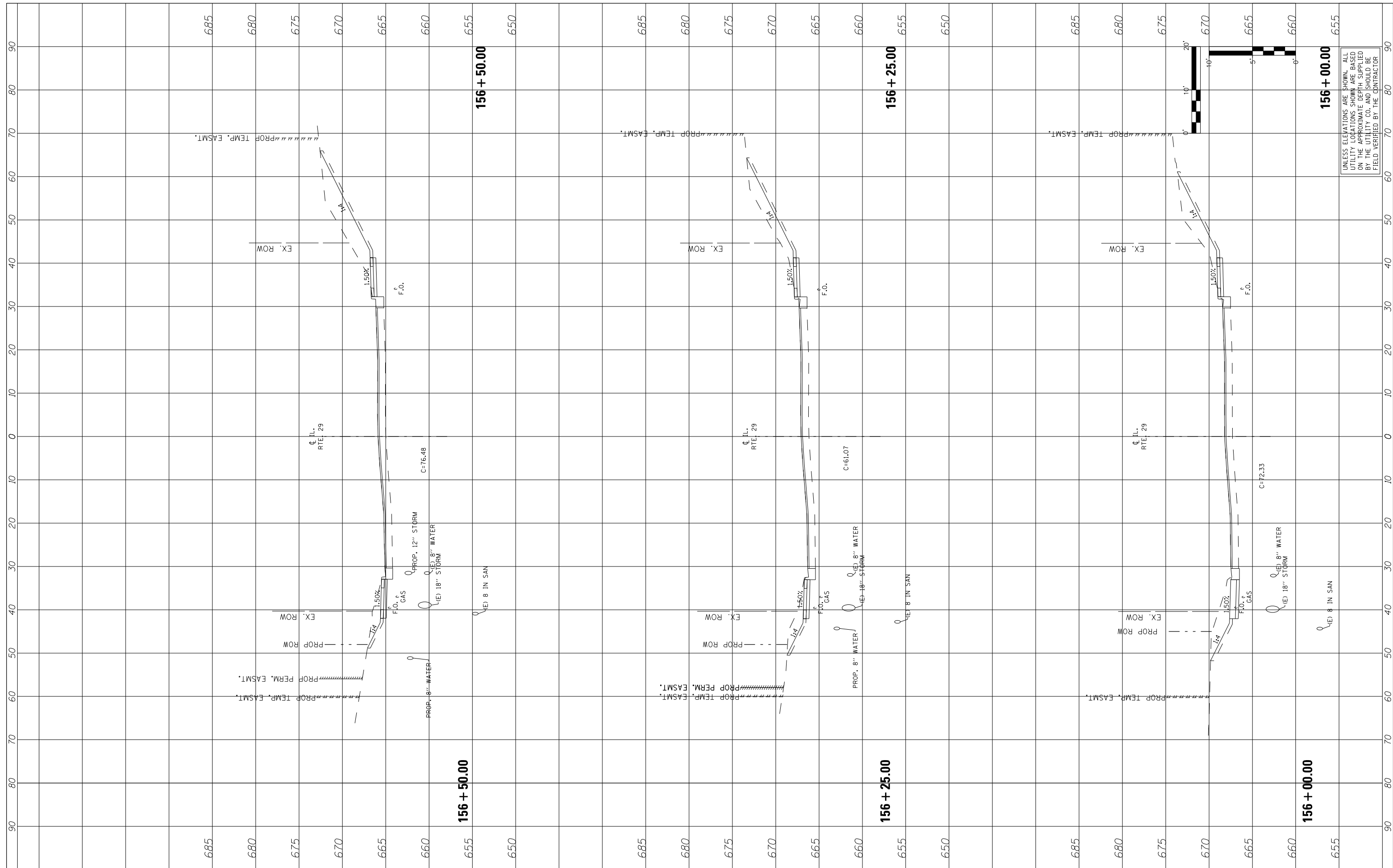
F.A.P. RTE.	SECTION	COUNTY	TOTAL SHEETS	SHEET NO.
669	16-00045-01-SW	TAZEWELL	155	115
				CONTRACT NO. 89713
ILLINOIS		FED. AID PROJECT 05E2(122)		



UNLESS ELEVATIONS ARE SHOWN, ALL UTILITY LOCATIONS SHOWN ARE BASED ON THE APPROXIMATE DEPTH SUPPLIED BY THE UTILITY CO. AND SHOULD BE FIELD VERIFIED BY THE CONTRACTOR

FINAL SURVEY NO.	SURVEYED PLOTTED TEMPLATE AREAS CHECKED	BY	DATE

ORIGINAL SURVEY NO.	SURVEYED PLOTTED TEMPLATE AREAS CHECKED	BY	DATE



UNLESS ELEVATIONS ARE SHOWN, ALL UTILITY LOCATIONS SHOWN ARE BASED ON THE APPROXIMATE DEPTH SUPPLIED BY THE UTILITY CO. AND SHOULD BE FIELD VERIFIED BY THE CONTRACTOR

USER NAME = 100T	DESIGNED - KMC	REVISED -
	DRAWN - KRS DLC	REVISED -
PLOT SCALE = 20.0000' / in.	CHECKED - RDC	REVISED -
PLOT DATE = 1/22/2019	DATE -	REVISED -

STATE OF ILLINOIS
DEPARTMENT OF TRANSPORTATION

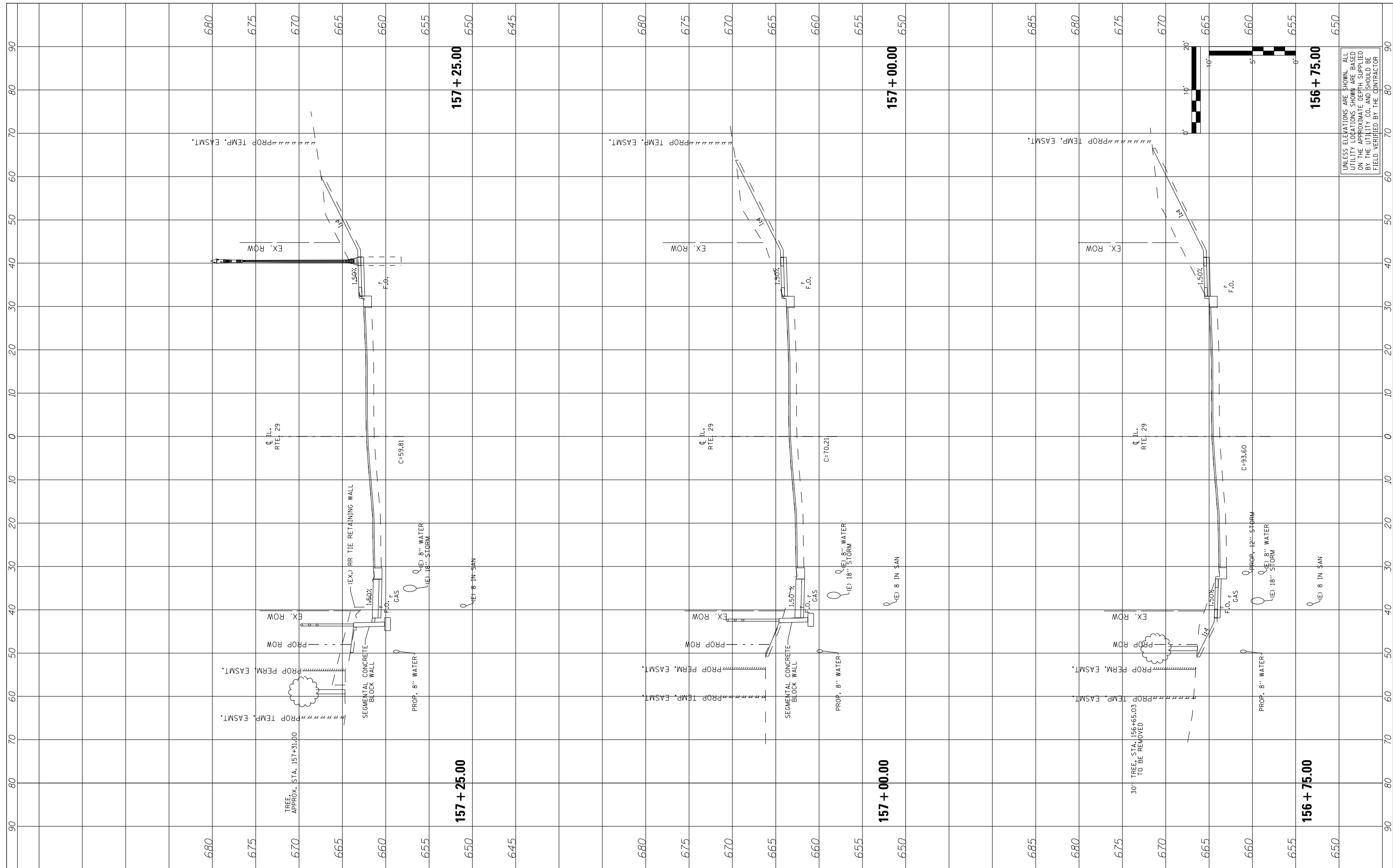
CROSS SECTIONS

SCALE: SHEET OF SHEETS STA. 156+00.00 TO STA. 156+50.00

F.A.P. RTE. 669	SECTION 16-00045-01-SW	COUNTY TAZEWELL	TOTAL SHEETS 155	SHEET NO. 116
CONTRACT NO. 89713				
ILLINOIS FED. AID PROJECT 05E2(122)				

FINAL SURVEY NO.	SURVEYED PLOTTED TEMPLATE AREAS CHECKED	BY	DATE

ORIGINAL SURVEY NO.	SURVEYED PLOTTED TEMPLATE AREAS CHECKED	BY	DATE



UNLESS ELEVATIONS ARE SHOWN, ALL UTILITY LOCATIONS SHOWN ARE BASED ON THE APPROXIMATE DEPTH SUPPLIED BY THE UTILITY CO. AND SHOULD BE FIELD VERIFIED BY THE CONTRACTOR

USER NAME = 100T	DESIGNED - KMC	REVISED -
	DRAWN - KRS DLC	REVISED -
PLOT SCALE = 20.0000' / in.	CHECKED - RDC	REVISED -
PLOT DATE = 1/22/2019	DATE -	REVISED -

STATE OF ILLINOIS
DEPARTMENT OF TRANSPORTATION

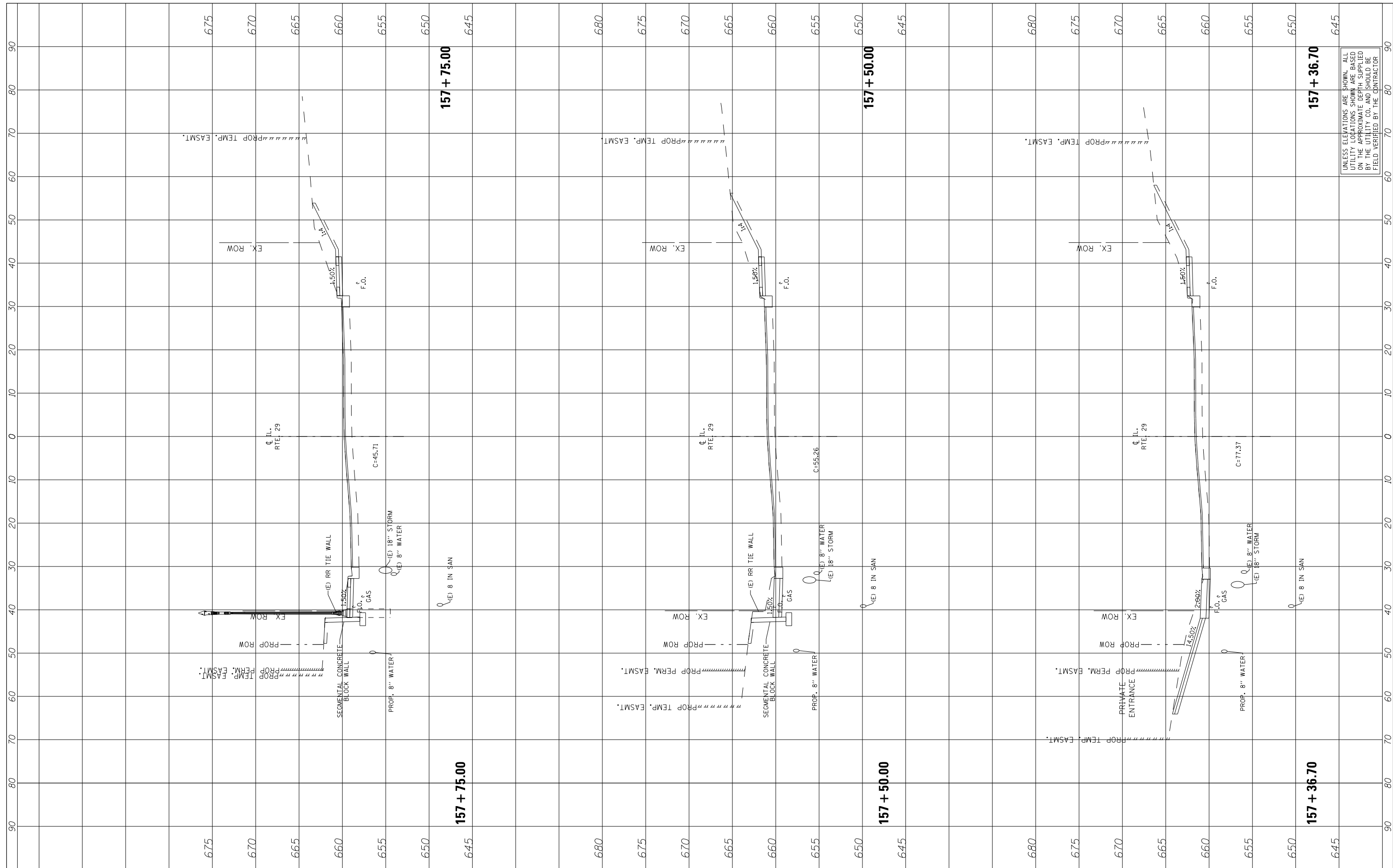
CROSS SECTIONS

SCALE: SHEET OF SHEETS STA. 156+75.00 TO STA. 157+25.00

F.A.P. RTE. 669	SECTION 16-00045-01-SW	COUNTY TAZEWELL	TOTAL SHEETS 155	SHEET NO. 117
CONTRACT NO. 89713				
ILLINOIS FED. AID PROJECT 05E2(22)				

FINAL SURVEY NO.	SURVEYED PLOTTED AREAS CHECKED	BY	DATE

ORIGINAL SURVEY NO.	SURVEYED PLOTTED AREAS CHECKED	BY	DATE



UNLESS ELEVATIONS ARE SHOWN, ALL UTILITY LOCATIONS SHOWN ARE BASED ON THE APPROXIMATE DEPTH SUPPLIED BY THE UTILITY CO. AND SHOULD BE FIELD VERIFIED BY THE CONTRACTOR

USER NAME = 100T	DESIGNED - KMC	REVISED -
	DRAWN - KRS DLC	REVISED -
PLOT SCALE = 20.0000' / in.	CHECKED - RDC	REVISED -
PLOT DATE = 1/22/2019	DATE -	REVISED -

**STATE OF ILLINOIS
DEPARTMENT OF TRANSPORTATION**

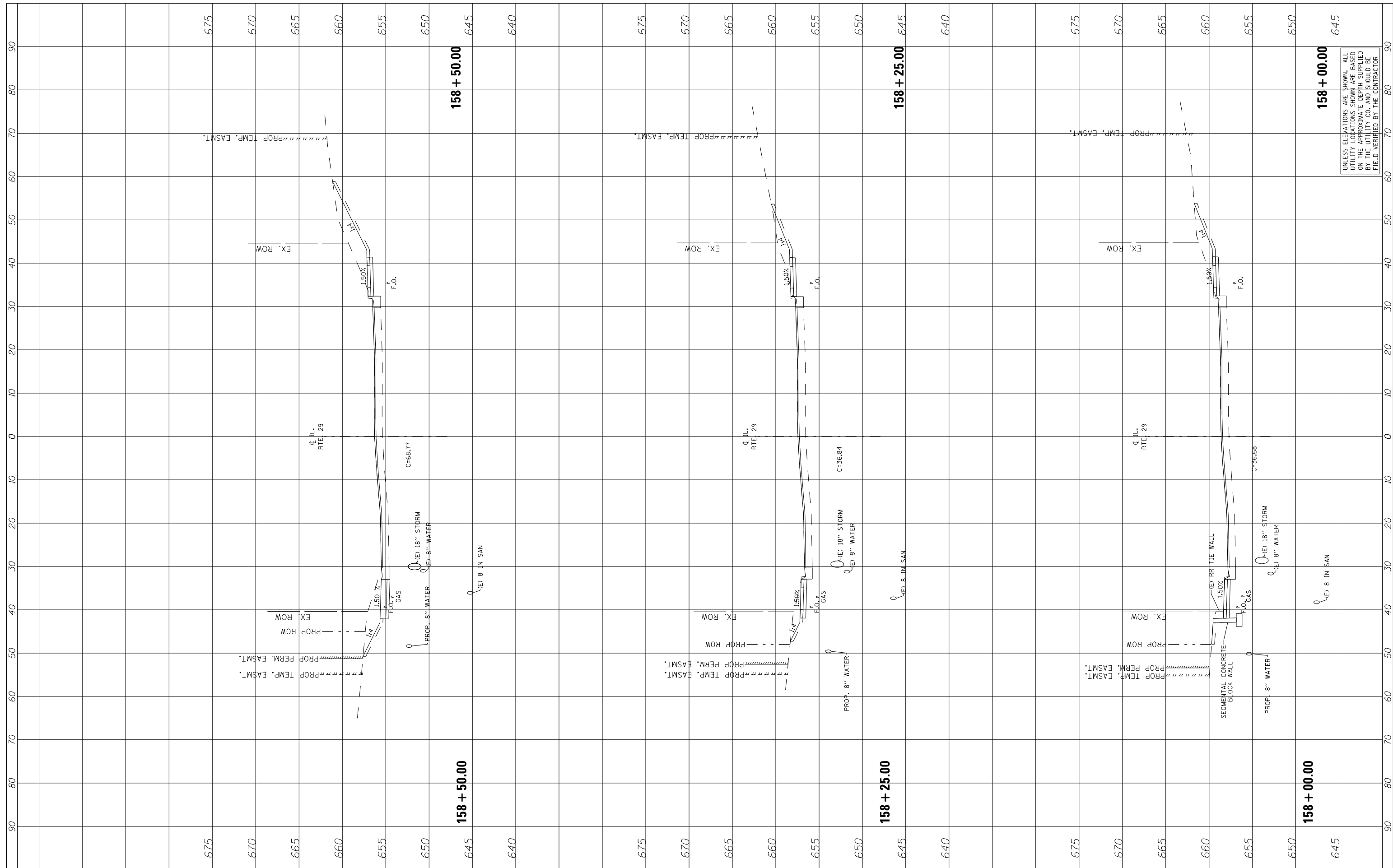
CROSS SECTIONS

SCALE: SHEET OF SHEETS STA. 157+36.70 TO STA. 157+75.00

F.A.P. RTE. 669	SECTION 16-00045-01-SW	COUNTY TAZEWELL	TOTAL SHEETS 155	SHEET NO. 118
CONTRACT NO. 89713				
ILLINOIS FED. AID PROJECT 05E2(22)				

FINAL SURVEY NO.	SURVEYED PLOTTED TEMPLATE AREAS CHECKED	BY	DATE

ORIGINAL SURVEY NO.	SURVEYED PLOTTED TEMPLATE AREAS CHECKED	BY	DATE



UNLESS ELEVATIONS ARE SHOWN, ALL UTILITY LOCATIONS SHOWN ARE BASED ON THE APPROXIMATE DEPTH SUPPLIED BY THE UTILITY CO. AND SHOULD BE FIELD VERIFIED BY THE CONTRACTOR

USER NAME = 100T	DESIGNED - KMC	REVISED -
	DRAWN - KRS DLC	REVISED -
PLOT SCALE = 20.0000' / in.	CHECKED - RDC	REVISED -
PLOT DATE = 1/22/2019	DATE -	REVISED -

**STATE OF ILLINOIS
DEPARTMENT OF TRANSPORTATION**

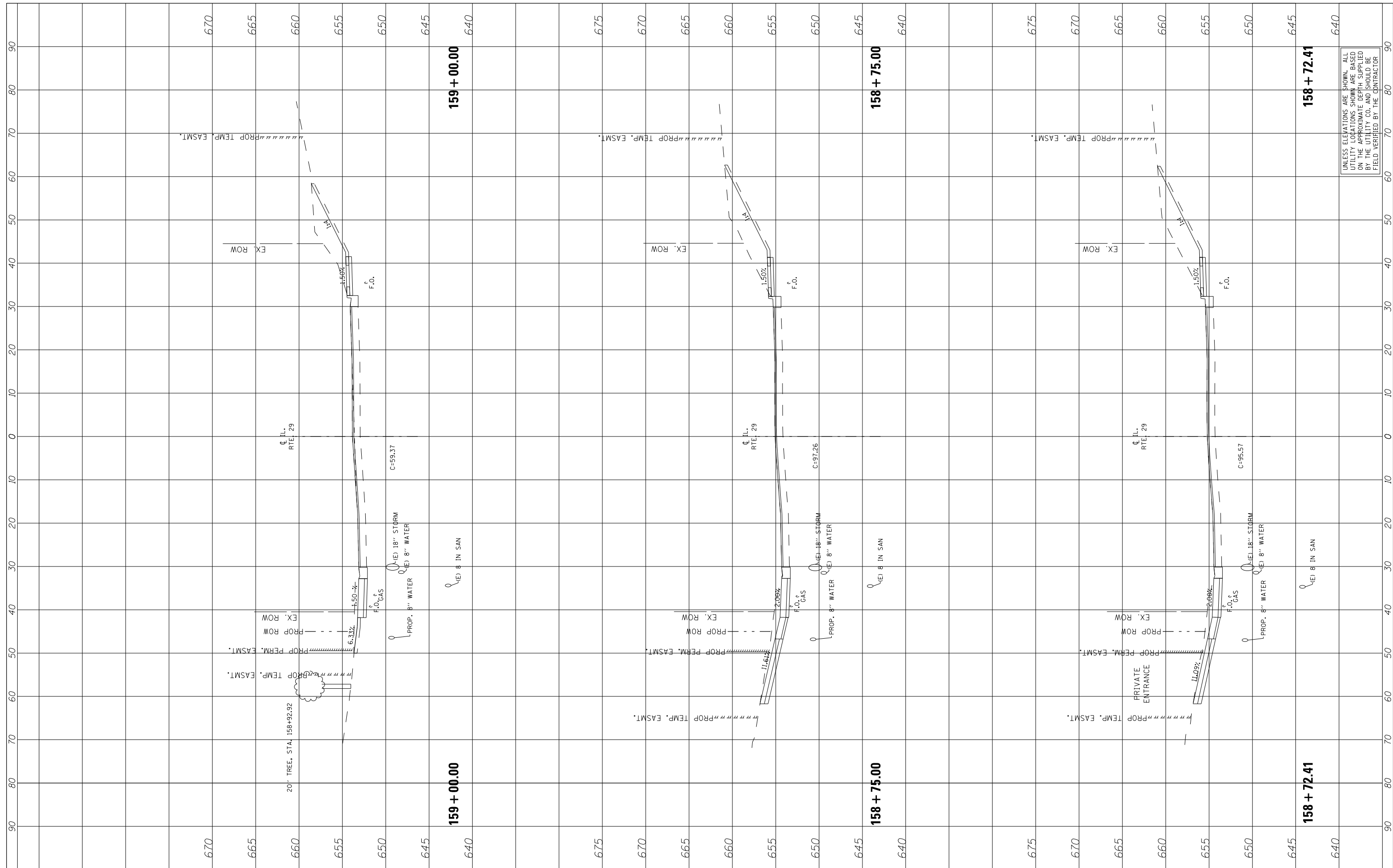
CROSS SECTIONS

SCALE: SHEET OF SHEETS STA. 158+00.00 TO STA. 158+50.00

F.A.P. RTE. 669	SECTION 16-00045-01-SW	COUNTY TAZEWELL	TOTAL SHEETS 155	SHEET NO. 119
CONTRACT NO. 89713				
ILLINOIS FED. AID PROJECT 05E2(22)				

FINAL SURVEY NO.	SURVEYED PLOTTED AREAS CHECKED	BY	DATE

ORIGINAL SURVEY NO.	SURVEYED PLOTTED AREAS CHECKED	BY	DATE



UNLESS ELEVATIONS ARE SHOWN, ALL UTILITY LOCATIONS SHOWN ARE BASED ON THE APPROXIMATE DEPTH SUPPLIED BY THE UTILITY CO. AND SHOULD BE FIELD VERIFIED BY THE CONTRACTOR

USER NAME = 100T	DESIGNED - KMC	REVISED -
	DRAWN - KRS DLC	REVISED -
	CHECKED - RDC	REVISED -
	DATE -	REVISED -

**STATE OF ILLINOIS
DEPARTMENT OF TRANSPORTATION**

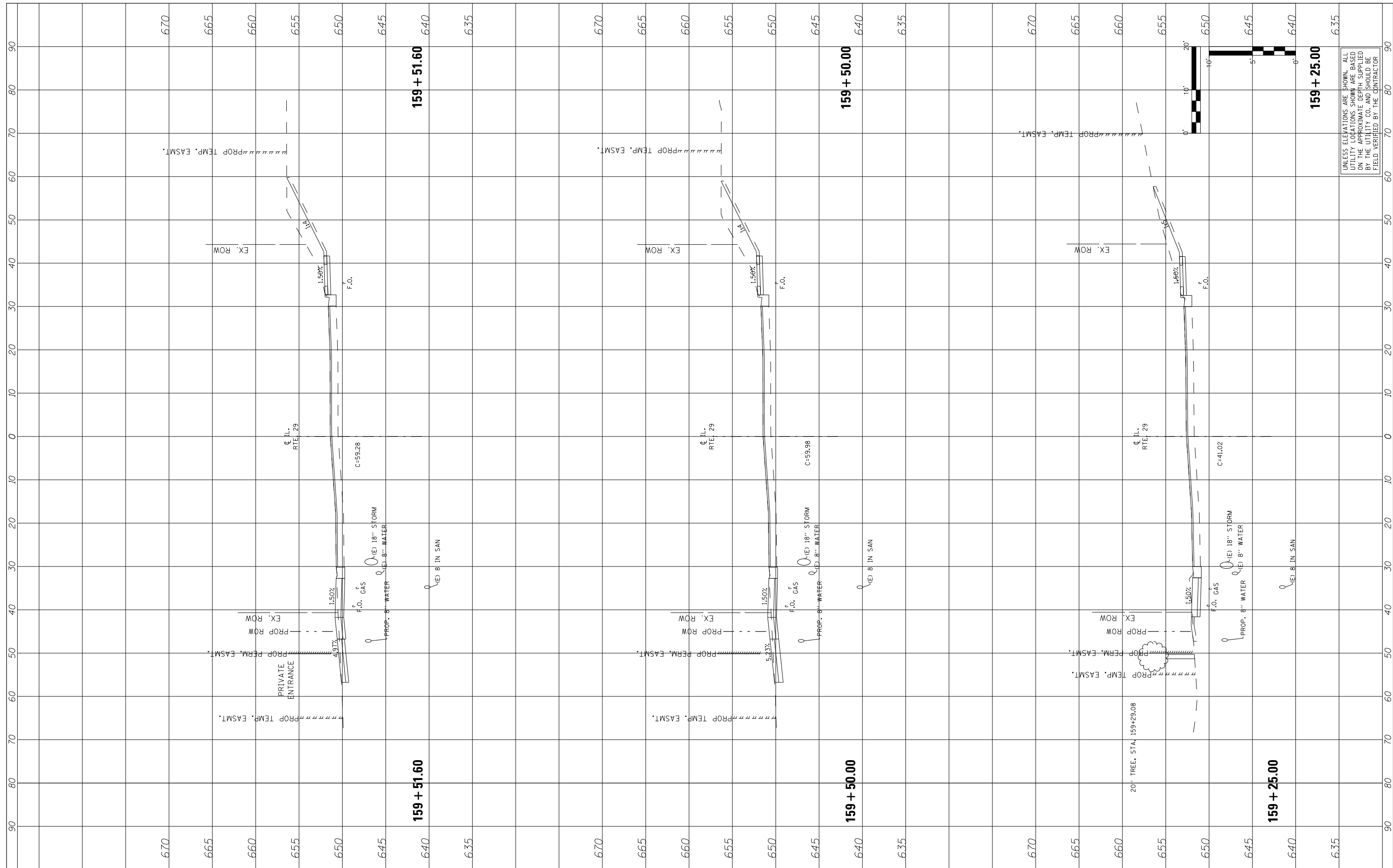
SCALE:		SHEET OF SHEETS		STA. 158+72.41 TO STA. 159+00.00	
--------	--	-----------------	--	----------------------------------	--

CROSS SECTIONS

F.A.P. RTE. 669	SECTION 16-00045-01-SW	COUNTY TAZEWELL	TOTAL SHEETS 155	SHEET NO. 120
CONTRACT NO. 89713				
ILLINOIS FED. AID PROJECT 05E2(22)				

FINAL SURVEY NO.	SURVEYED PLOTTED AREAS CHECKED	BY	DATE

ORIGINAL SURVEY NO.	SURVEYED PLOTTED AREAS CHECKED	BY	DATE



UNLESS ELEVATIONS ARE SHOWN, ALL UTILITY LOCATIONS SHOWN ARE BASED ON THE APPROXIMATE DEPTH SUPPLIED BY THE UTILITY CO. AND SHOULD BE FIELD VERIFIED BY THE CONTRACTOR

USER NAME = 100T	DESIGNED - KMC	REVISED -
	DRAWN - KRS DLC	REVISED -
	CHECKED - RDC	REVISED -
	DATE -	REVISED -

STATE OF ILLINOIS
DEPARTMENT OF TRANSPORTATION

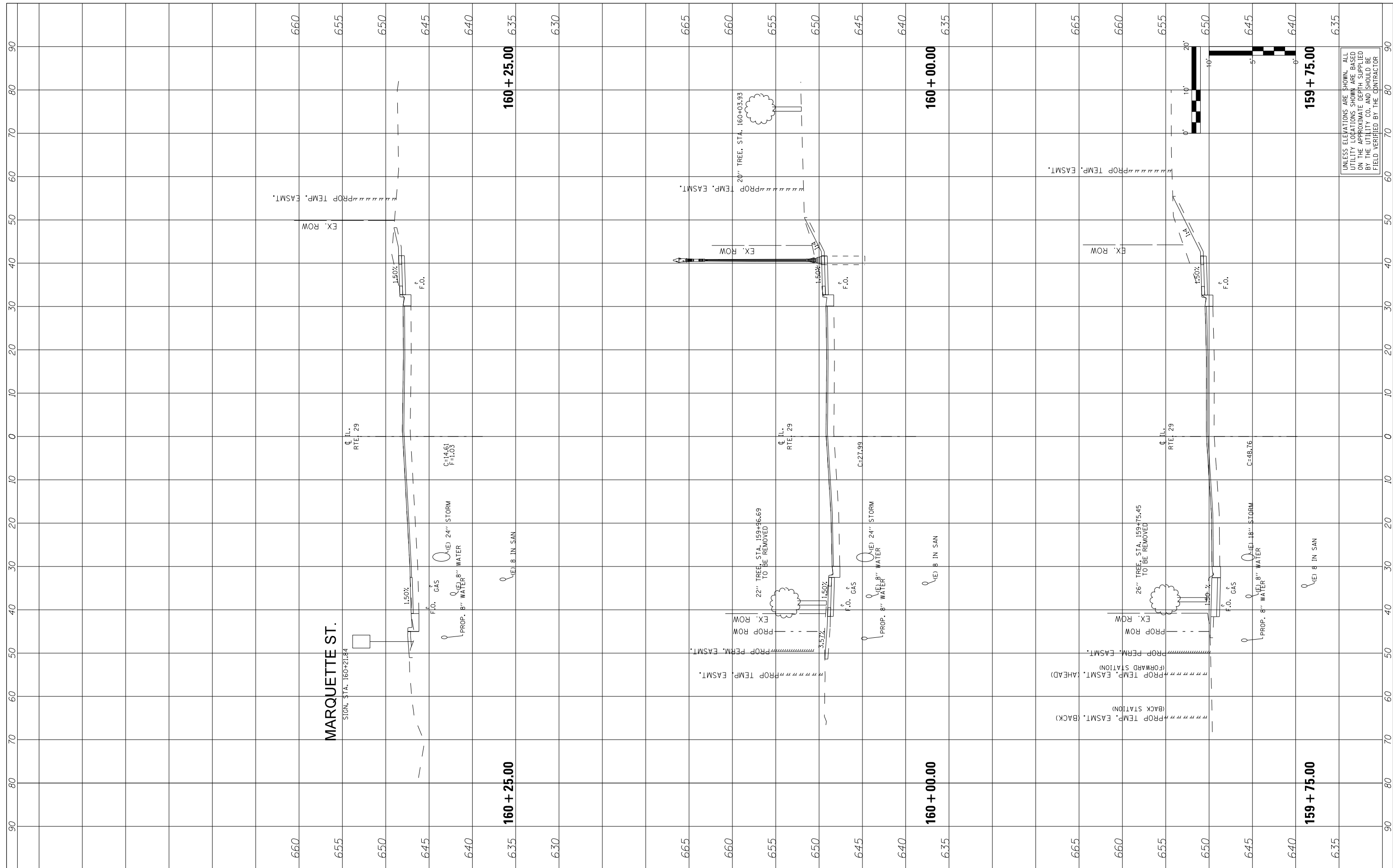
CROSS SECTIONS

SCALE: SHEET OF SHEETS STA. 159+25.00 TO STA. 159+51.60

F.A.P. RTE. 669	SECTION 16-00045-01-SW	COUNTY TAZEWELL	TOTAL SHEETS 155	SHEET NO. 121
CONTRACT NO. 89713				
ILLINOIS FED. AID PROJECT 05E2(22)				

FINAL SURVEY NO.	SURVEYED PLOTTED TEMPLATE AREAS CHECKED	BY	DATE

ORIGINAL SURVEY NO.	SURVEYED PLOTTED TEMPLATE AREAS CHECKED	BY	DATE



UNLESS ELEVATIONS ARE SHOWN, ALL UTILITY LOCATIONS SHOWN ARE BASED ON THE APPROXIMATE DEPTH SUPPLIED BY THE UTILITY CO. AND SHOULD BE FIELD VERIFIED BY THE CONTRACTOR

USER NAME = 100T	DESIGNED - KMC	REVISED -
	DRAWN - KRS DLC	REVISED -
PLOT SCALE = 20.0000' / in.	CHECKED - RDC	REVISED -
PLOT DATE = 1/22/2019	DATE -	REVISED -

**STATE OF ILLINOIS
DEPARTMENT OF TRANSPORTATION**

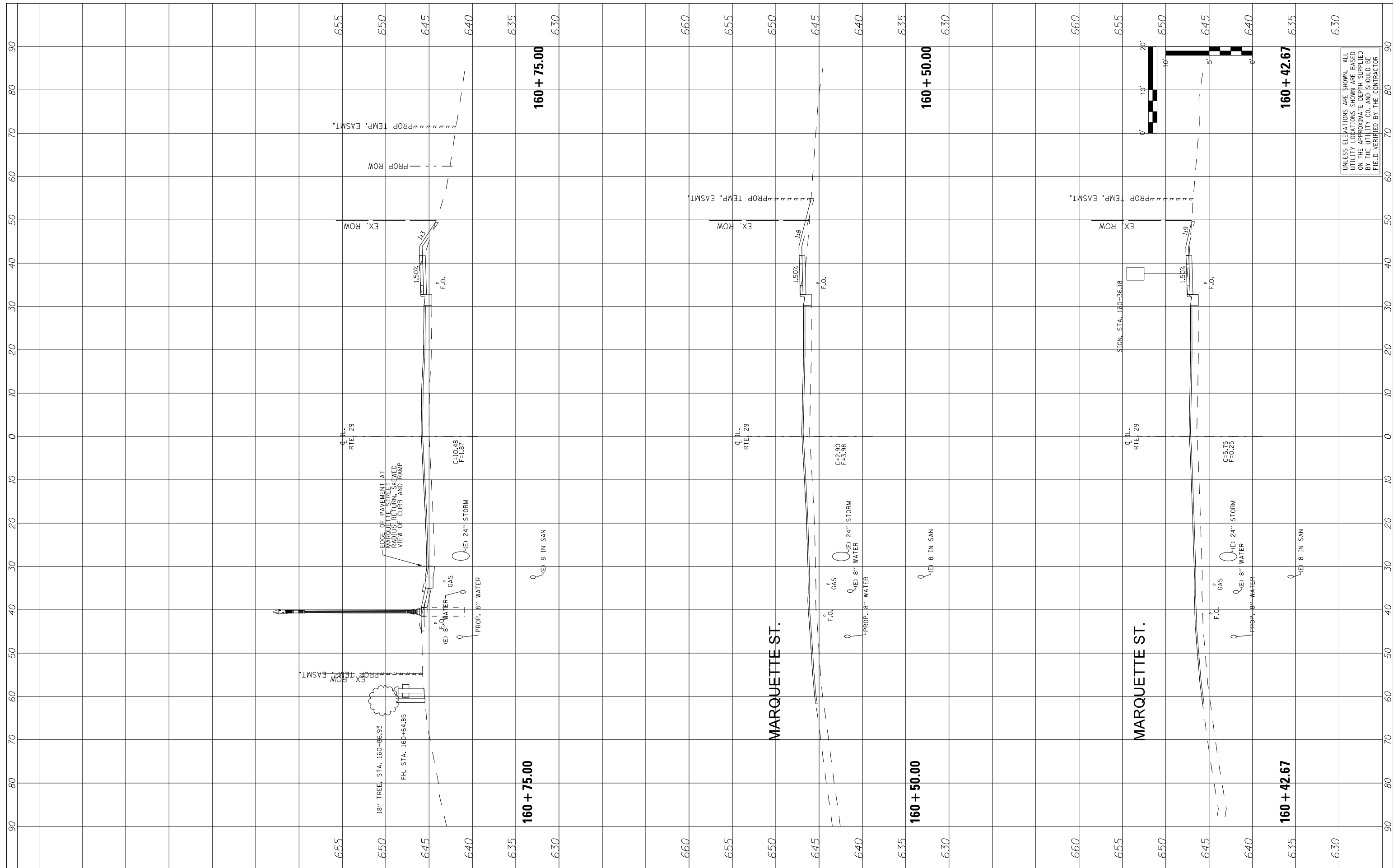
CROSS SECTIONS

SCALE: SHEET OF SHEETS STA. 159+75.00 TO STA. 160+25.00

F.A.P. RTE. 669	SECTION 16-00045-01-SW	COUNTY TAZEWELL	TOTAL SHEETS 155	SHEET NO. 122
CONTRACT NO. 89713				
ILLINOIS FED. AID PROJECT 05E2(122)				

FINIAL SURVEY NO.	SURVEYED PLOTTED AREAS CHECKED	BY	DATE
NOTE BOOK NO.	TEMPLATE AREAS CHECKED		

ORIGINAL SURVEY NO.	SURVEYED PLOTTED AREAS CHECKED	BY	DATE
NOTE BOOK NO.	TEMPLATE AREAS CHECKED		



UNLESS ELEVATIONS ARE SHOWN, ALL UTILITY LOCATIONS SHOWN ARE BASED ON THE APPROXIMATE DEPTH SUPPLIED BY THE UTILITY CO. AND SHOULD BE FIELD VERIFIED BY THE CONTRACTOR

USER NAME = 100T	DESIGNED - KMC	REVISED -
	DRAWN - KRS DLC	REVISED -
PLOT SCALE = 20.0000' / in.	CHECKED - RDC	REVISED -
PLOT DATE = 1/22/2019	DATE -	REVISED -

STATE OF ILLINOIS
DEPARTMENT OF TRANSPORTATION

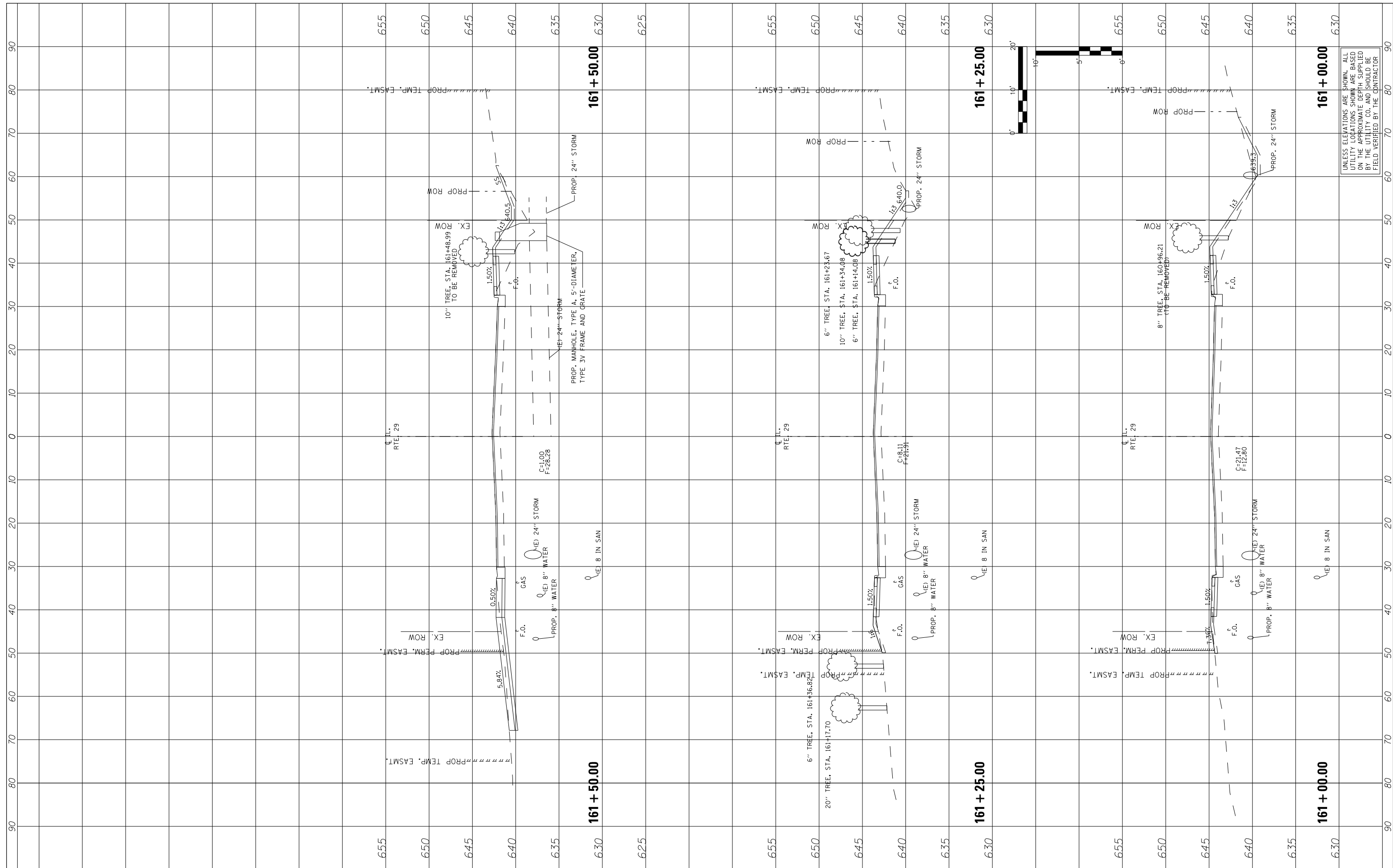
CROSS SECTIONS

SCALE: SHEET OF SHEETS STA. 160+42.67 TO STA. 160+75.00

F.A.P. RTE. 669	SECTION 16-00045-01-SW	COUNTY TAZEWELL	TOTAL SHEETS 155	SHEET NO. 123
CONTRACT NO. 89713				
ILLINOIS FED. AID PROJECT 05E2(22)				

FINAL SURVEY NO.	SURVEYED PLOTTED TEMPLATE AREAS CHECKED	BY	DATE

ORIGINAL SURVEY NO.	SURVEYED PLOTTED TEMPLATE AREAS CHECKED	BY	DATE



USER NAME = 100T	DESIGNED - KMC	REVISED -
	DRAWN - KRS DLC	REVISED -
	CHECKED - RDC	REVISED -
	DATE -	REVISED -

**STATE OF ILLINOIS
DEPARTMENT OF TRANSPORTATION**

SCALE:	SHEET	OF	SHEETS	STA. 161+00.00	TO	STA. 161+50.00
--------	-------	----	--------	----------------	----	----------------

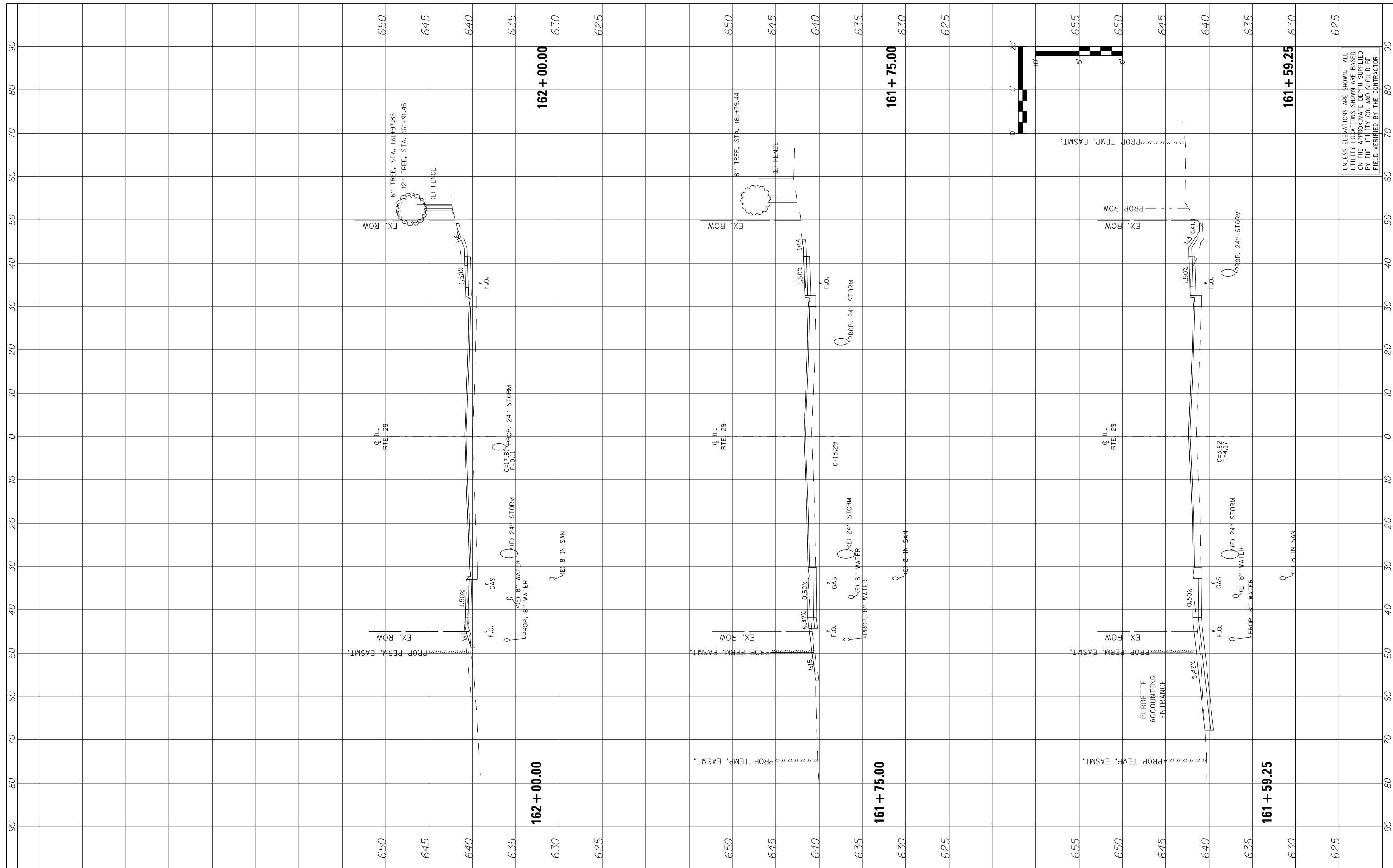
CROSS SECTIONS

F.A.P. RTE. 669	SECTION 16-00045-01-SW	COUNTY TAZEWELL	TOTAL SHEETS 155	SHEET NO. 124
CONTRACT NO. 89713				
ILLINOIS FED. AID PROJECT 05E2(122)				

UNLESS ELEVATIONS ARE SHOWN, ALL UTILITY LOCATIONS SHOWN ARE BASED ON THE APPROXIMATE DEPTH SUPPLIED BY THE UTILITY CO. AND SHOULD BE FIELD VERIFIED BY THE CONTRACTOR

FINIAL SURVEY NO.	SURVEYED PLOTTED AREAS CHECKED	BY	DATE
NOTE BOOK NO.	TEMPLATE AREAS CHECKED		

ORIGINAL SURVEY NO.	SURVEYED PLOTTED AREAS CHECKED	BY	DATE
NOTE BOOK NO.	TEMPLATE AREAS CHECKED		



USER NAME = 100T	DESIGNED - KMC	REVISED -
PLOT SCALE = 20.0000' / in.	DRAWN - KRS DLC	REVISED -
PLOT DATE = 1/22/2019	CHECKED - RDC	REVISED -
	DATE -	REVISED -

DESIGNED - KMC	REVISED -
DRAWN - KRS DLC	REVISED -
CHECKED - RDC	REVISED -
DATE -	REVISED -

**STATE OF ILLINOIS
DEPARTMENT OF TRANSPORTATION**

SCALE:	SHEET	OF	SHEETS	STA. 161+59.25	TO	STA. 162+00.00
--------	-------	----	--------	----------------	----	----------------

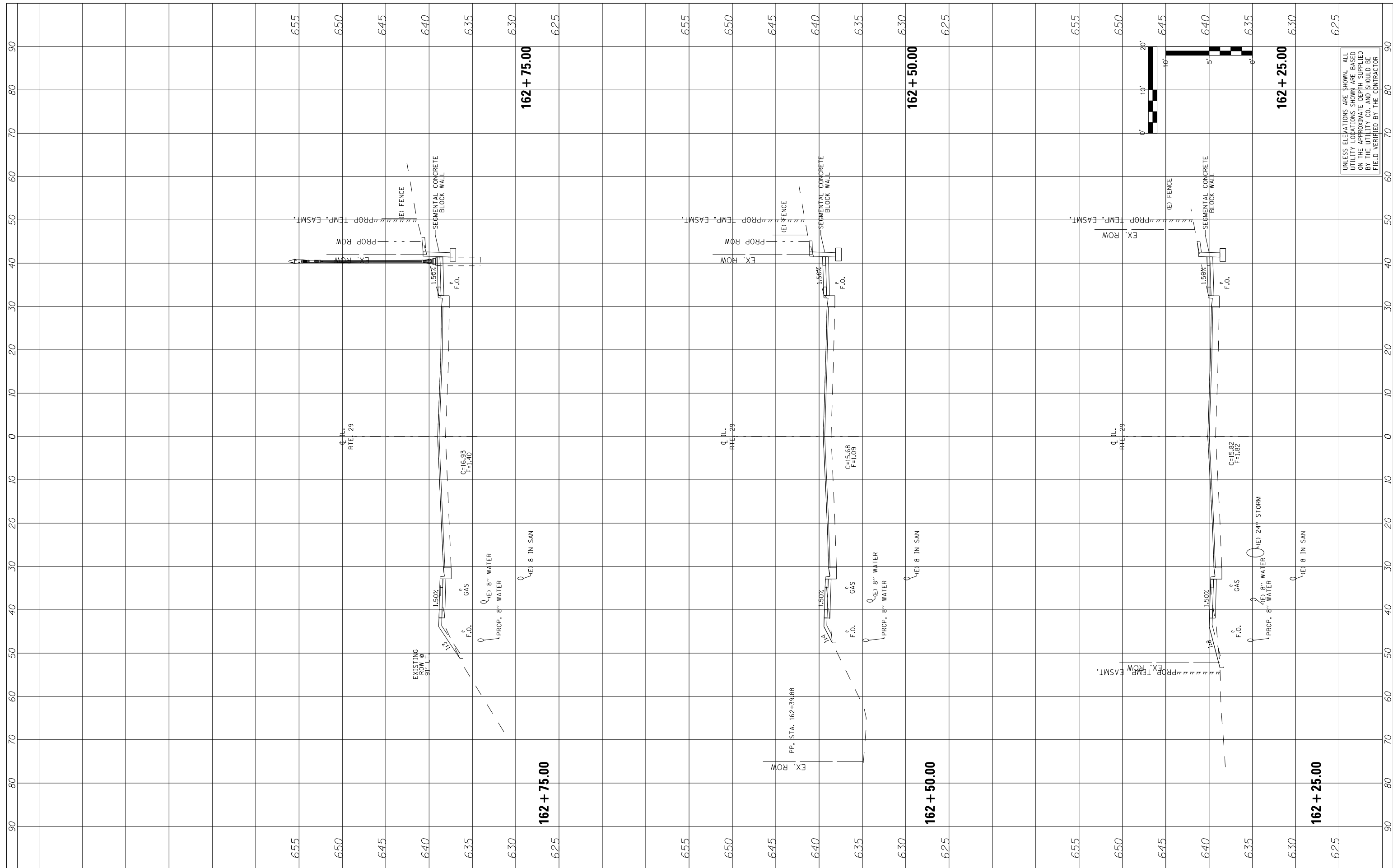
CROSS SECTIONS

F.A.P. RTE. 669	SECTION 16-00045-01-SW	COUNTY TAZEWELL	TOTAL SHEETS 155	SHEET NO. 125
ILLINOIS FED. AID PROJECT 05E2(122)			CONTRACT NO. 89713	

UNLESS ELEVATIONS ARE SHOWN, ALL UTILITY LOCATIONS SHOWN ARE BASED ON THE APPROXIMATE DEPTH SUPPLIED BY THE UTILITY CO. AND SHOULD BE FIELD VERIFIED BY THE CONTRACTOR

FINAL SURVEY NO.	SURVEYED PLOTTED TEMPLATE AREAS CHECKED	BY	DATE

ORIGINAL SURVEY NO.	SURVEYED PLOTTED TEMPLATE AREAS CHECKED	BY	DATE



UNLESS ELEVATIONS ARE SHOWN, ALL UTILITY LOCATIONS SHOWN ARE BASED ON THE APPROXIMATE DEPTH SUPPLIED BY THE UTILITY CO. AND SHOULD BE FIELD VERIFIED BY THE CONTRACTOR

USER NAME = 100T	DESIGNED - KMC	REVISED -
	DRAWN - KRS DLC	REVISED -
PLOT SCALE = 20.0000' / in.	CHECKED - RDC	REVISED -
PLOT DATE = 1/22/2019	DATE -	REVISED -

STATE OF ILLINOIS
DEPARTMENT OF TRANSPORTATION

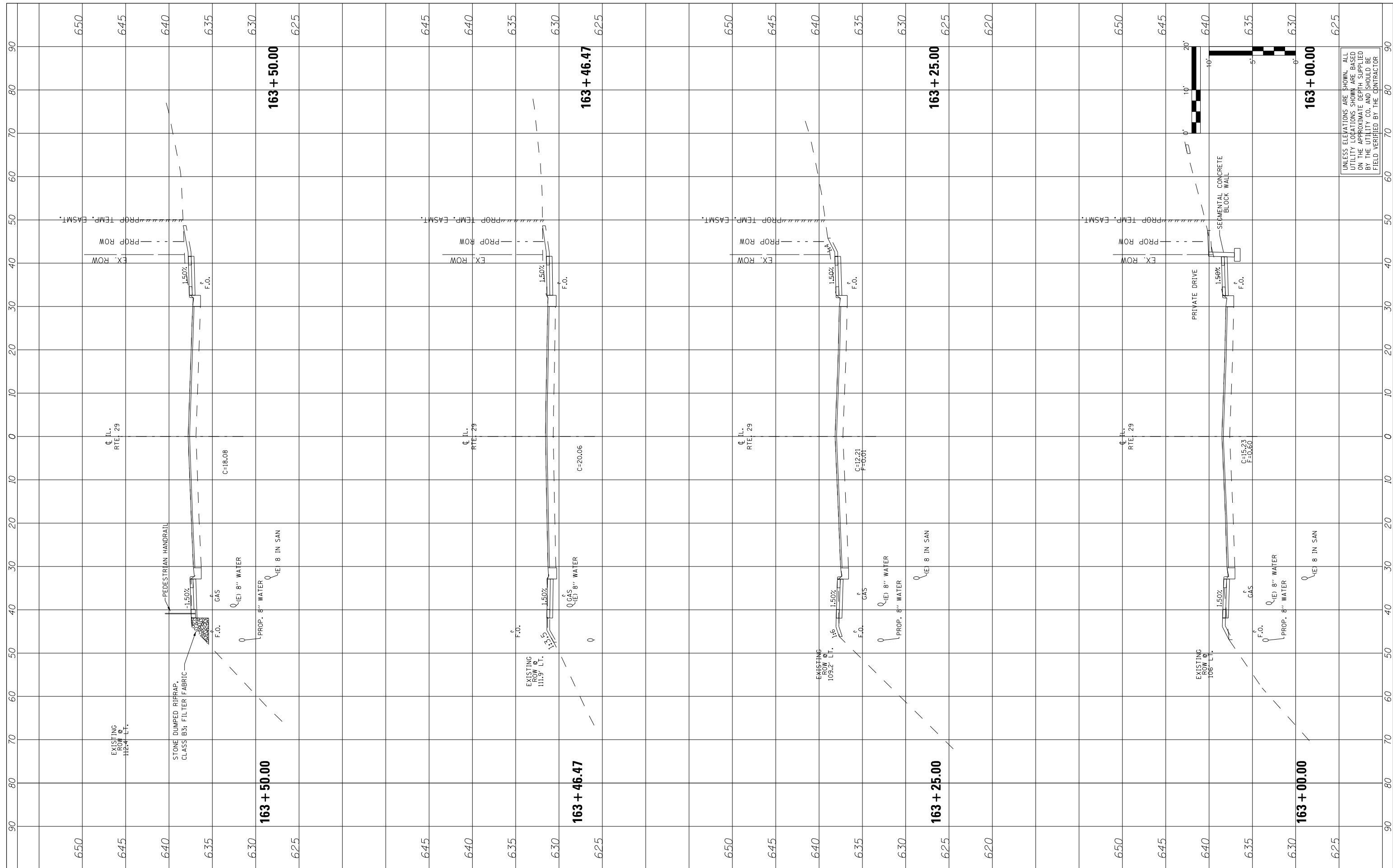
CROSS SECTIONS

SCALE: SHEET OF SHEETS STA. 162+25.00 TO STA. 162+75.00

F.A.P. RTE. 669	SECTION 16-00045-01-SW	COUNTY TAZEWELL	TOTAL SHEETS 155	SHEET NO. 126
CONTRACT NO. 89713				
ILLINOIS FED. AID PROJECT 05E2(122)				

FINAL SURVEY NO.	SURVEYED PLOTTED AREAS CHECKED	BY	DATE

ORIGINAL SURVEY NO.	SURVEYED PLOTTED AREAS CHECKED	BY	DATE



UNLESS ELEVATIONS ARE SHOWN, ALL UTILITY LOCATIONS SHOWN ARE BASED ON THE APPROXIMATE DEPTH SUPPLIED BY THE UTILITY CO. AND SHOULD BE FIELD VERIFIED BY THE CONTRACTOR

USER NAME = 100T	DESIGNED - KMC	REVISED -
	DRAWN - KRS DLC	REVISED -
	CHECKED - RDC	REVISED -
	DATE -	REVISED -

STATE OF ILLINOIS
DEPARTMENT OF TRANSPORTATION

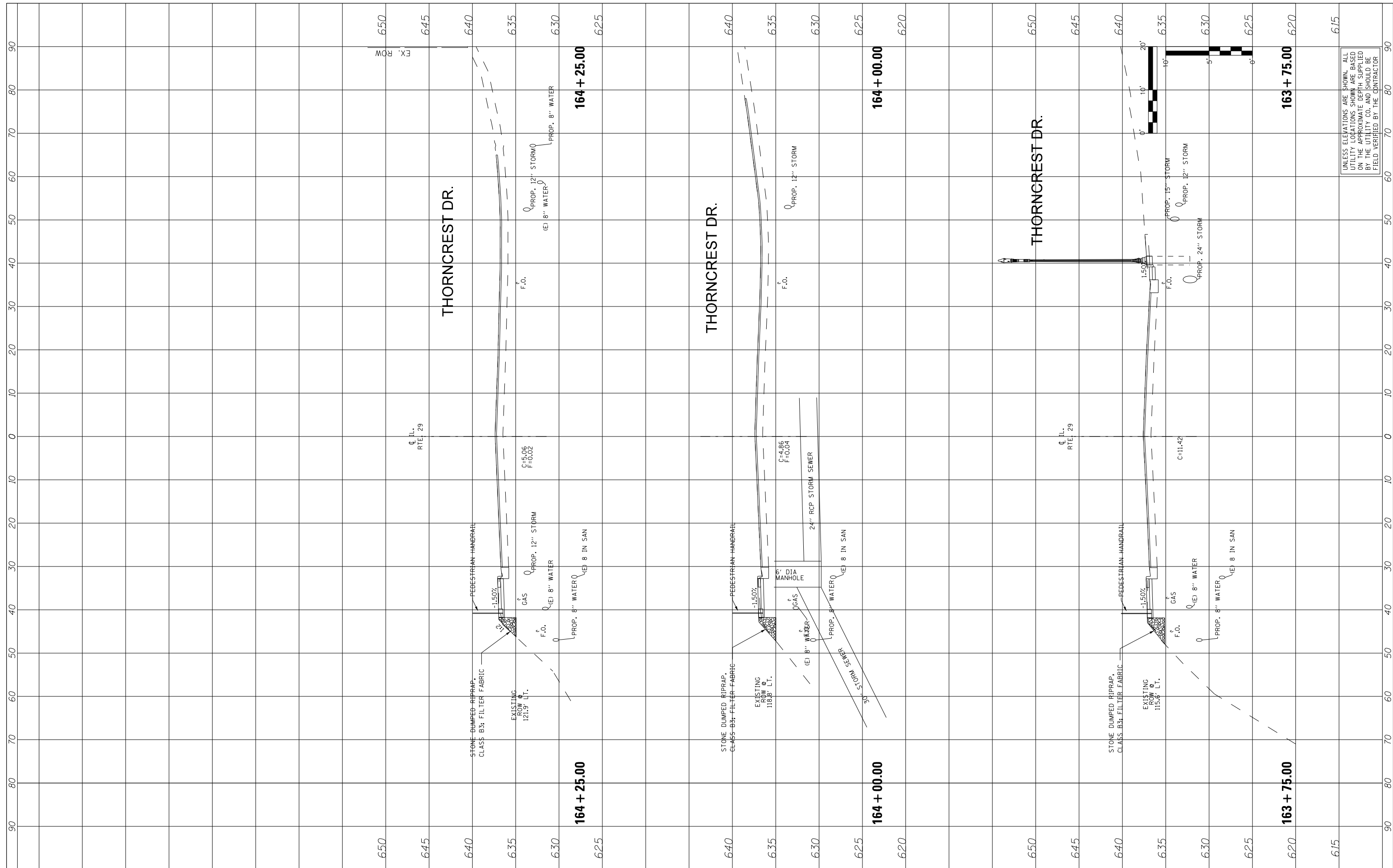
CROSS SECTIONS

SCALE: SHEET OF SHEETS STA. 163+00.00 TO STA. 163+50.00

F.A.P. RTE. 669	SECTION 16-00045-01-SW	COUNTY TAZEWELL	TOTAL SHEETS 155	SHEET NO. 127
CONTRACT NO. 89713				
ILLINOIS FED. AID PROJECT 05E2(22)				

ORIGINAL SURVEY NO.	SURVEYED PLOTTED TEMPLATE AREAS CHECKED	BY	DATE

FINAL SURVEY NO.	SURVEYED PLOTTED TEMPLATE AREAS CHECKED	BY	DATE



UNLESS ELEVATIONS ARE SHOWN, ALL UTILITY LOCATIONS SHOWN ARE BASED ON THE APPROXIMATE DEPTH SUPPLIED BY THE UTILITY CO. AND SHOULD BE FIELD VERIFIED BY THE CONTRACTOR

USER NAME = 100T	DESIGNED - KMC	REVISED -
	DRAWN - KRS DLC	REVISED -
	CHECKED - RDC	REVISED -
	DATE -	REVISED -

STATE OF ILLINOIS
DEPARTMENT OF TRANSPORTATION

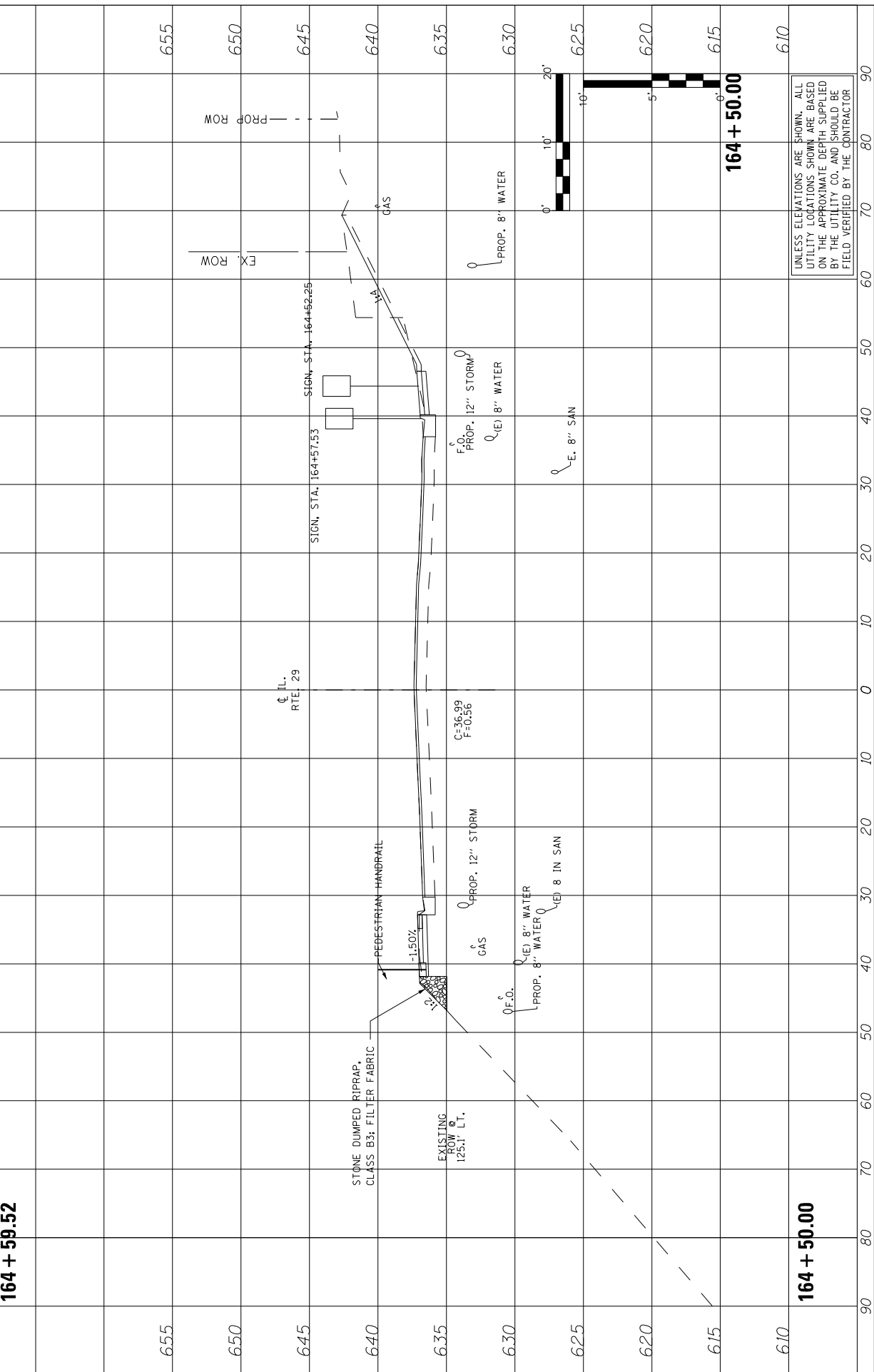
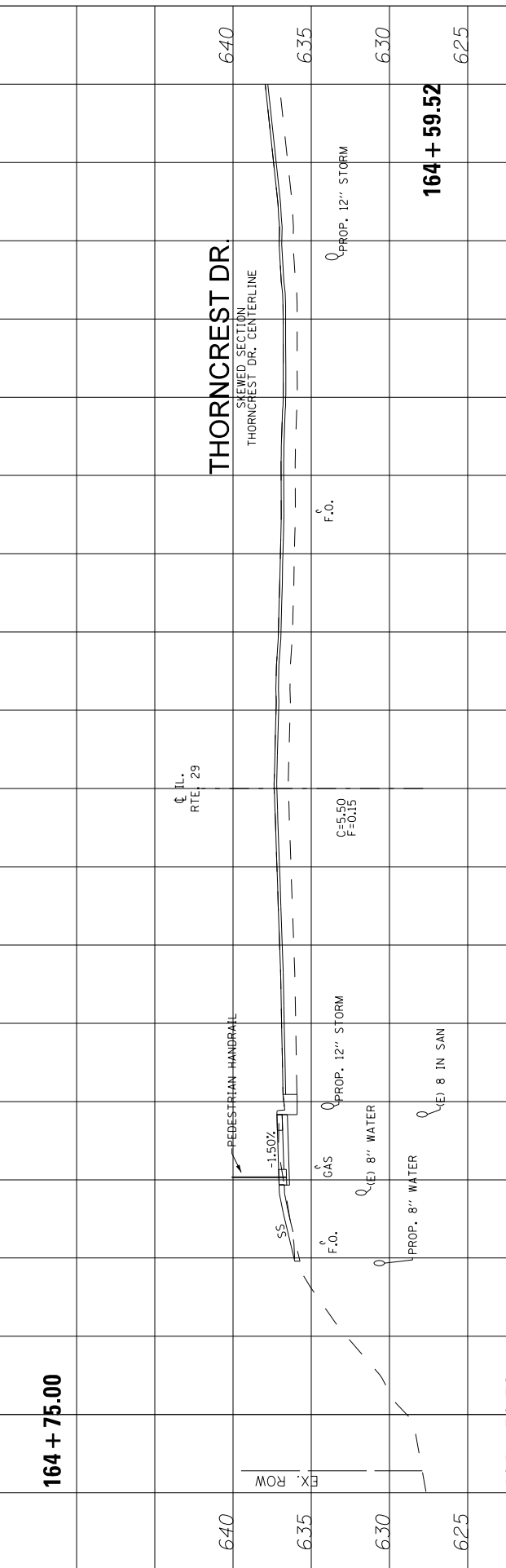
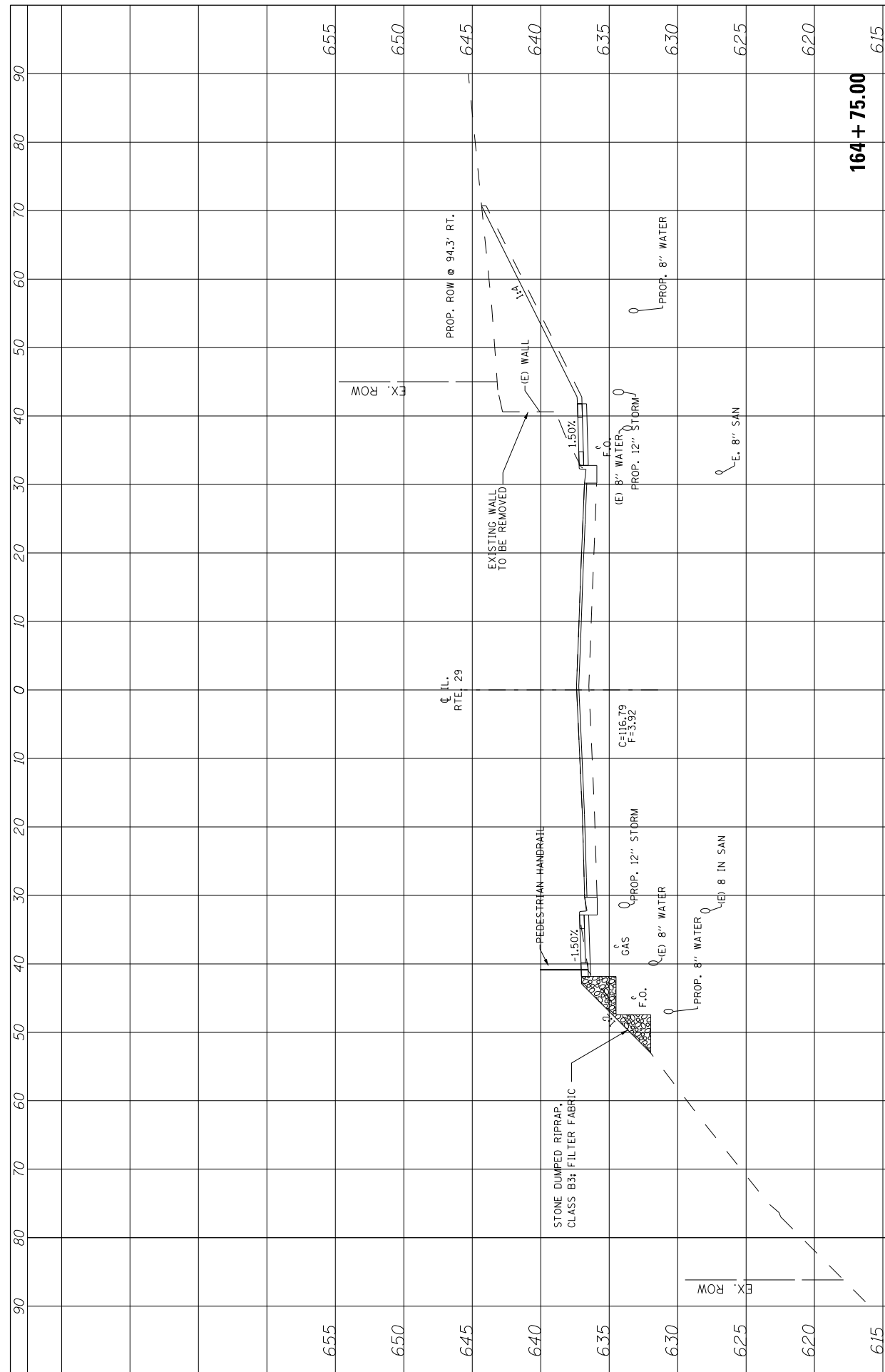
CROSS SECTIONS

SCALE: SHEET OF SHEETS STA. 163+75.00 TO STA. 164+25.00

F.A.P. RTE.	SECTION	COUNTY	TOTAL SHEETS	SHEET NO.
669	16-00045-01-SW	TAZEWELL	155	128
				CONTRACT NO. 89713
				ILLINOIS FED. AID PROJECT 05E2(122)

FINAL SURVEY	SURVEYED	BY	DATE
NOTE BOOK	PLOTTED		
NO.	TEMPLATE		
	AREAS CHECKED		

ORIGINAL SURVEY	SURVEYED	BY	DATE
NOTE BOOK	PLOTTED		
NO.	TEMPLATE		
	AREAS CHECKED		



USER NAME = 100T	DESIGNED - KMC	REVISED -
	DRAWN - KRS DLC	REVISED -
PLOT SCALE = 20.0000' / in.	CHECKED - RDC	REVISED -
PLOT DATE = 1/22/2019	DATE -	REVISED -

**STATE OF ILLINOIS
DEPARTMENT OF TRANSPORTATION**

CROSS SECTIONS

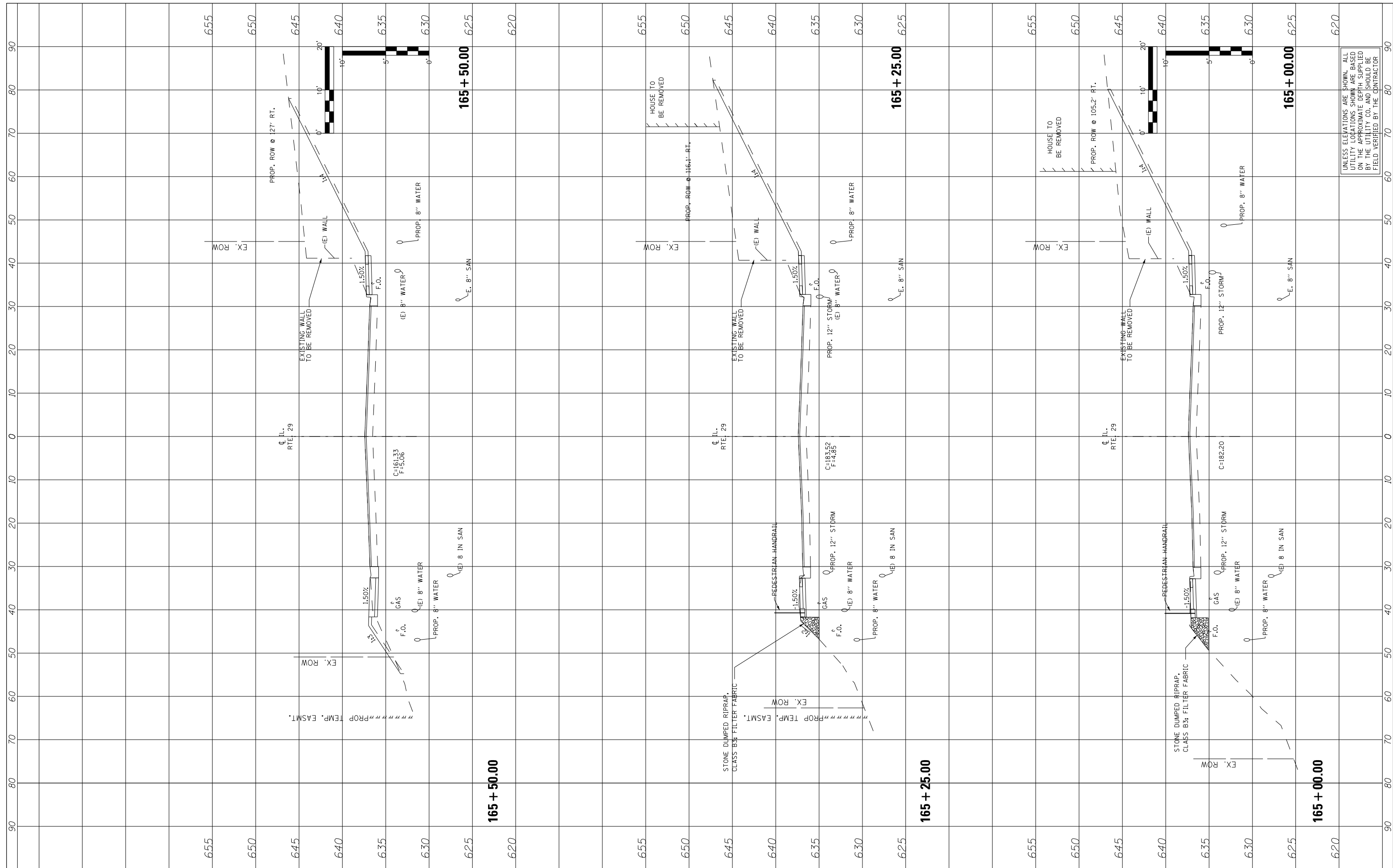
SCALE: SHEET OF SHEETS STA. 164+50.00 TO STA. 164+75.00

F.A.P. RTE.	SECTION	COUNTY	TOTAL SHEETS	SHEET NO.
669	16-00045-01-SW	TAZEWELL	155	129
CONTRACT NO. 89713				
ILLINOIS FED. AID PROJECT 05E2(22)				

UNLESS ELEVATIONS ARE SHOWN, ALL UTILITY LOCATIONS SHOWN ARE BASED ON THE APPROXIMATE DEPTH SUPPLIED BY THE UTILITY CO. AND SHOULD BE FIELD VERIFIED BY THE CONTRACTOR

FINAL SURVEY	SURVEYED	BY	DATE
NOTE BOOK	PLOTTED		
NO.	TEMPLATE		
	AREAS CHECKED		

ORIGINAL SURVEY	SURVEYED	BY	DATE
NOTE BOOK	PLOTTED		
NO.	TEMPLATE		
	AREAS CHECKED		



UNLESS ELEVATIONS ARE SHOWN, ALL UTILITY LOCATIONS SHOWN ARE BASED ON THE APPROXIMATE DEPTH SUPPLIED BY THE UTILITY CO. AND SHOULD BE FIELD VERIFIED BY THE CONTRACTOR

USER NAME = 100T	DESIGNED - KMC	REVISED -
	DRAWN - KRS DLC	REVISED -
PLOT SCALE = 20.0000' / in.	CHECKED - RDC	REVISED -
PLOT DATE = 1/22/2019	DATE -	REVISED -

STATE OF ILLINOIS
DEPARTMENT OF TRANSPORTATION

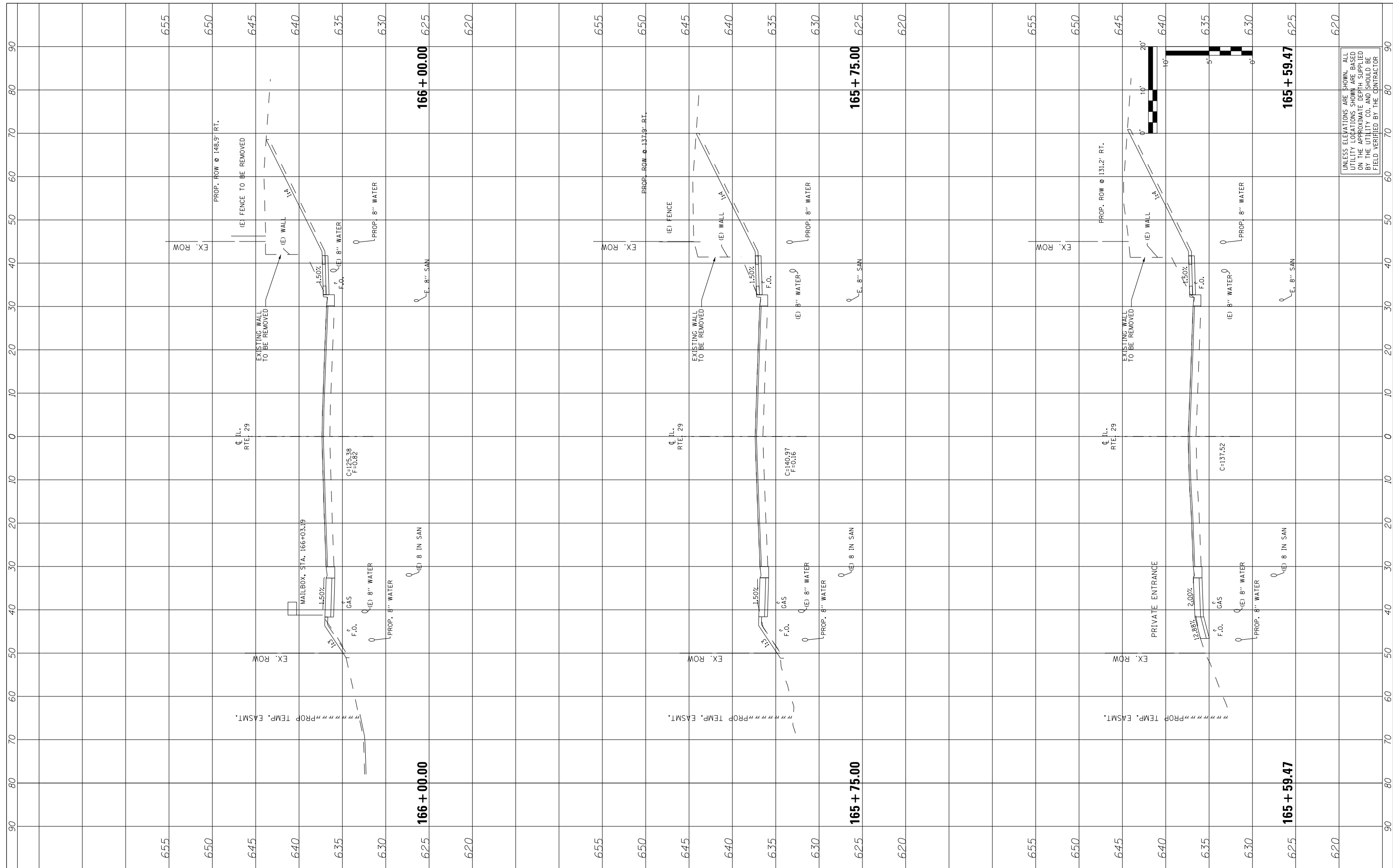
CROSS SECTIONS

SCALE: SHEET OF SHEETS STA. 165+00.00 TO STA. 165+50.00

F.A.P. RTE. 669	SECTION 16-00045-01-SW	COUNTY TAZEWELL	TOTAL SHEETS 155	SHEET NO. 130
CONTRACT NO. 89713				
ILLINOIS FED. AID PROJECT 05E2(122)				

FINAL SURVEY	SURVEYED	BY	DATE
NOTE BOOK	PLOTTED		
NO.	TEMPLATE		
	AREAS CHECKED		

ORIGINAL SURVEY	SURVEYED	BY	DATE
NOTE BOOK	PLOTTED		
NO.	TEMPLATE		
	AREAS CHECKED		



F.A.P. RTE.	SECTION	COUNTY	TOTAL SHEETS	SHEET NO.
669	16-00045-01-SW	TAZEWELL	155	131
CONTRACT NO. 89713				
ILLINOIS FED. AID PROJECT 05E2(22)				

USER NAME = 100T	DESIGNED - KMC	REVISED -
	DRAWN - KRS DLC	REVISED -
PLOT SCALE = 20.0000' / in.	CHECKED - RDC	REVISED -
PLOT DATE = 1/22/2019	DATE -	REVISED -

**STATE OF ILLINOIS
DEPARTMENT OF TRANSPORTATION**

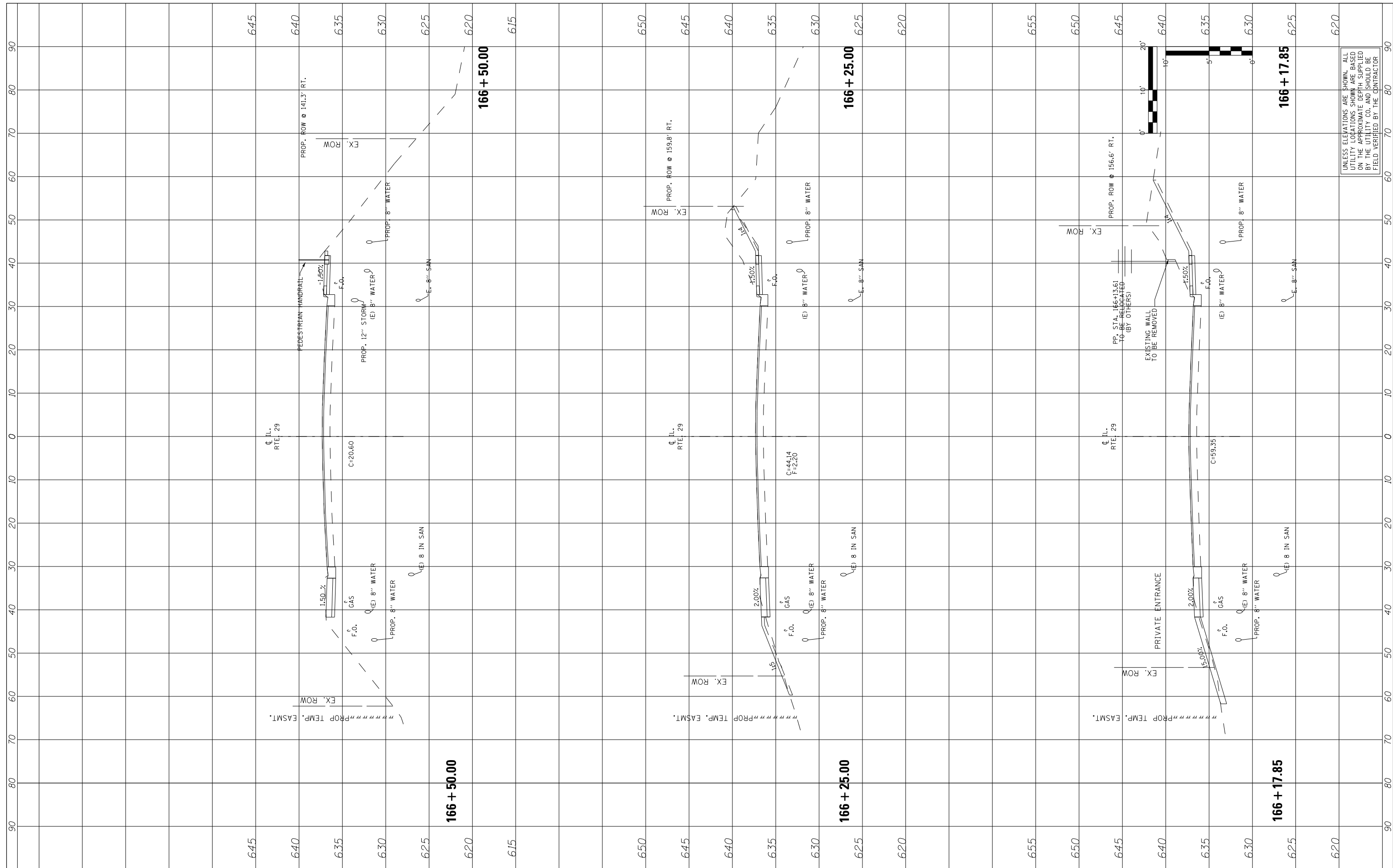
CROSS SECTIONS

SCALE: SHEET OF SHEETS STA. 165+59.47 TO STA. 166+00.00

UNLESS ELEVATIONS ARE SHOWN, ALL UTILITY LOCATIONS SHOWN ARE BASED ON THE APPROXIMATE DEPTH SUPPLIED BY THE UTILITY CO. AND SHOULD BE FIELD VERIFIED BY THE CONTRACTOR

FINAL SURVEY PLOTTED	BY	DATE
NOTE BOOK NO.		
AREAS CHECKED		

ORIGINAL SURVEY PLOTTED	BY	DATE
NOTE BOOK NO.		
AREAS CHECKED		



UNLESS ELEVATIONS ARE SHOWN, ALL UTILITY LOCATIONS SHOWN ARE BASED ON THE APPROXIMATE DEPTH SUPPLIED BY THE UTILITY CO. AND SHOULD BE FIELD VERIFIED BY THE CONTRACTOR

USER NAME = IDOT	DESIGNED - KMC	REVISED -
	DRAWN - KRS DLC	REVISED -
PLOT SCALE = 20.0000' / in.	CHECKED - RDC	REVISED -
PLOT DATE = 1/22/2019	DATE -	REVISED -

STATE OF ILLINOIS
DEPARTMENT OF TRANSPORTATION

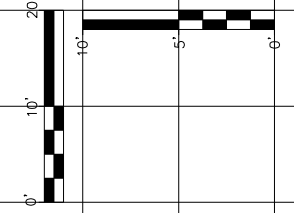
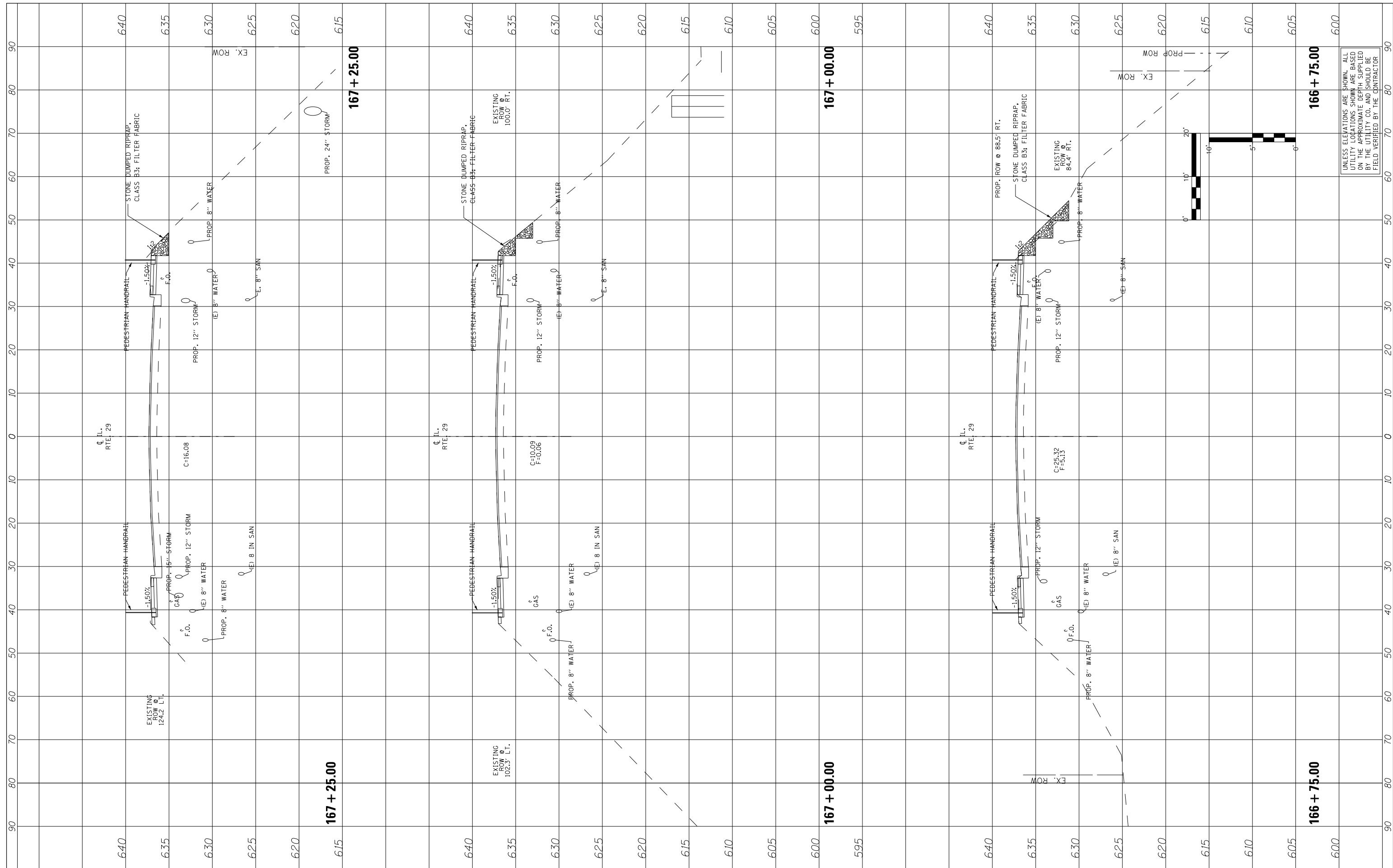
CROSS SECTIONS

SCALE: SHEET OF SHEETS STA. 166+17.85 TO STA. 166+50.00

F.A.P. RTE. 669	SECTION 16-00045-01-SW	COUNTY TAZEWELL	TOTAL SHEETS 155	SHEET NO. 132
CONTRACT NO. 89713				
ILLINOIS FED. AID PROJECT 05E2(22)				

FINAL SURVEY	SURVEYED	BY	DATE
NOTE BOOK	PLOTTED		
AREAS CHECKED	TEMPLATE		
	AREAS CHECKED		

ORIGINAL SURVEY	SURVEYED	BY	DATE
NOTE BOOK	PLOTTED		
AREAS CHECKED	TEMPLATE		
	AREAS CHECKED		



UNLESS ELEVATIONS ARE SHOWN, ALL UTILITY LOCATIONS SHOWN ARE BASED ON THE APPROXIMATE DEPTH SUPPLIED BY THE UTILITY CO. AND SHOULD BE FIELD VERIFIED BY THE CONTRACTOR

USER NAME = 100T	DESIGNED - KMC	REVISED -
	DRAWN - KRS DLC	REVISED -
PLOT SCALE = 20.0000' / in.	CHECKED - RDC	REVISED -
PLOT DATE = 1/22/2019	DATE -	REVISED -

STATE OF ILLINOIS
DEPARTMENT OF TRANSPORTATION

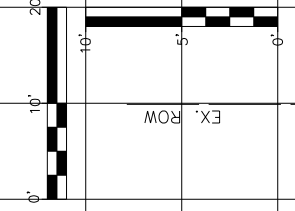
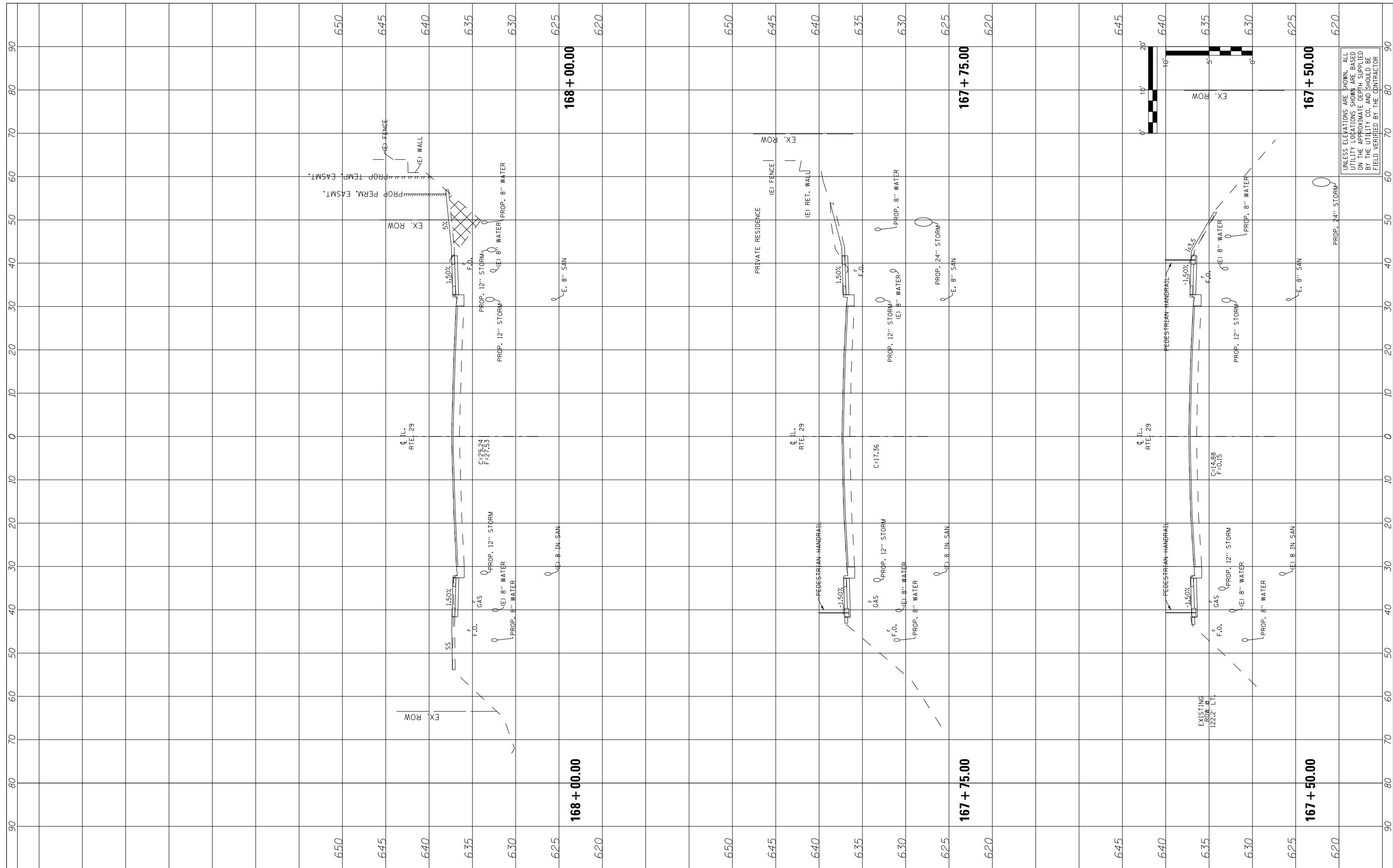
CROSS SECTIONS

SCALE: SHEET OF SHEETS STA. 166+75.00 TO STA. 167+25.00

F.A.P. RTE. 669	SECTION 16-00045-01-SW	COUNTY TAZEWELL	TOTAL SHEETS 155	SHEET NO. 133
CONTRACT NO. 89713				
ILLINOIS FED. AID PROJECT 05E2(22)				

ORIGINAL SURVEY NO.	SURVEYED PLOTTED AREAS CHECKED
NOTE BOOK	TEMPLATE AREAS CHECKED
BY	DATE

FINAL SURVEY NO.	SURVEYED PLOTTED AREAS CHECKED
NOTE BOOK	TEMPLATE AREAS CHECKED
BY	DATE



UNLESS ELEVATIONS ARE SHOWN, ALL UTILITY LOCATIONS SHOWN ARE BASED ON THE APPROXIMATE DEPTH SUPPLIED BY THE UTILITY CO. AND SHOULD BE FIELD VERIFIED BY THE CONTRACTOR

USER NAME = 100T	DESIGNED - KMC	REVISED -
	DRAWN - KRS DLC	REVISED -
PLOT SCALE = 20.0000' / in.	CHECKED - RDC	REVISED -
PLOT DATE = 1/22/2019	DATE -	REVISED -

**STATE OF ILLINOIS
DEPARTMENT OF TRANSPORTATION**

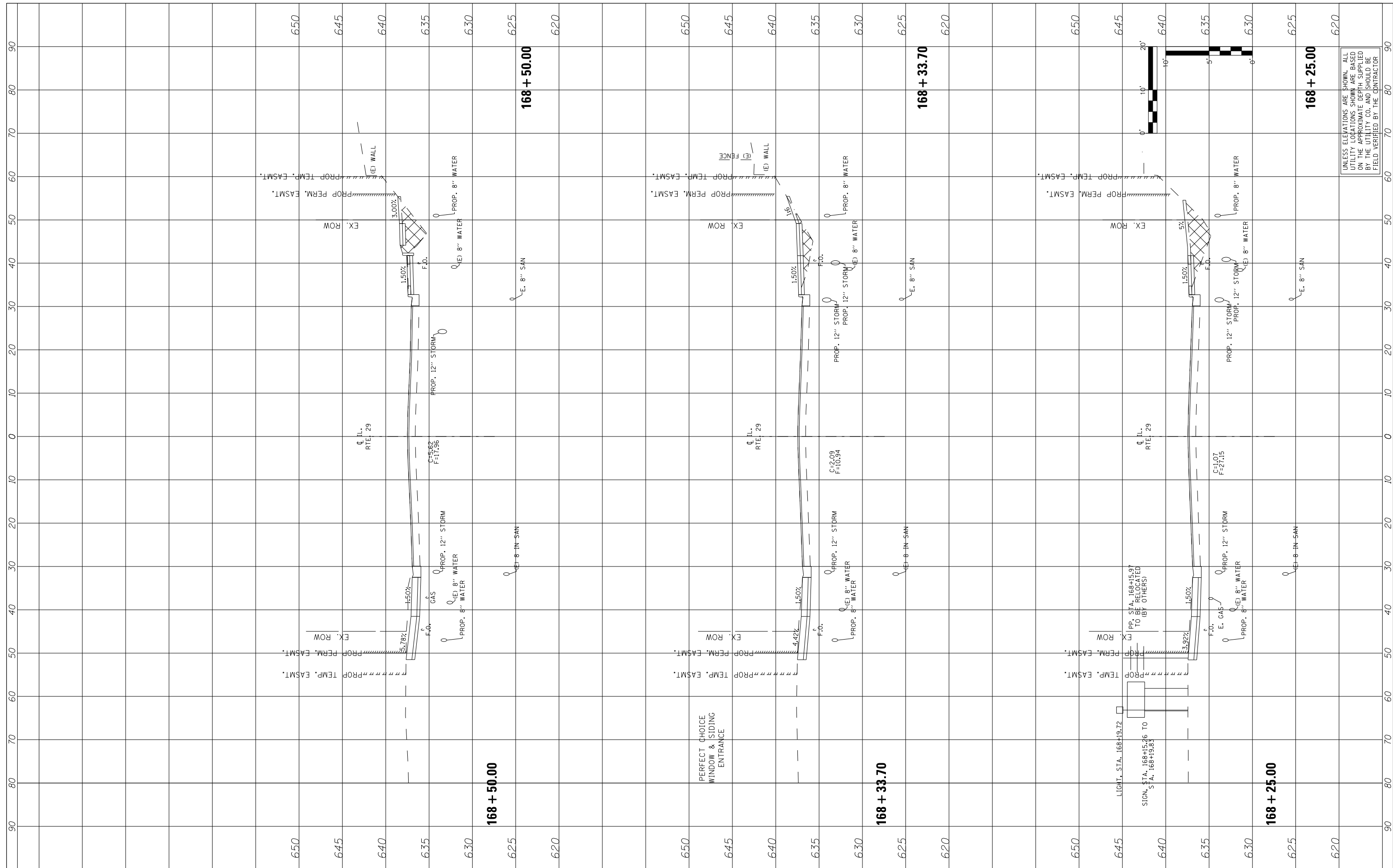
CROSS SECTIONS

SCALE: SHEET OF SHEETS STA. 167+50.00 TO STA. 168+00.00

F.A.P. RTE. 669	SECTION 16-00045-01-SW	COUNTY TAZEWELL	TOTAL SHEETS 155	SHEET NO. 134
CONTRACT NO. 89713				
ILLINOIS FED. AID PROJECT 05E2(122)				

FINAL SURVEY NO.	SURVEYED PLOTTED TEMPLATE AREAS CHECKED	BY	DATE

ORIGINAL SURVEY NO.	SURVEYED PLOTTED TEMPLATE AREAS CHECKED	BY	DATE



UNLESS ELEVATIONS ARE SHOWN, ALL UTILITY LOCATIONS SHOWN ARE BASED ON THE APPROXIMATE DEPTH SUPPLIED BY THE UTILITY CO. AND SHOULD BE FIELD VERIFIED BY THE CONTRACTOR

USER NAME = 100T	DESIGNED - KMC	REVISED -
	DRAWN - KRS DLC	REVISED -
	CHECKED - RDC	REVISED -
	DATE -	REVISED -

STATE OF ILLINOIS
DEPARTMENT OF TRANSPORTATION

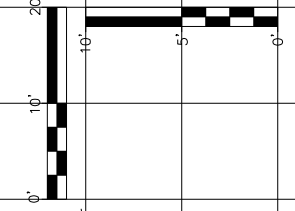
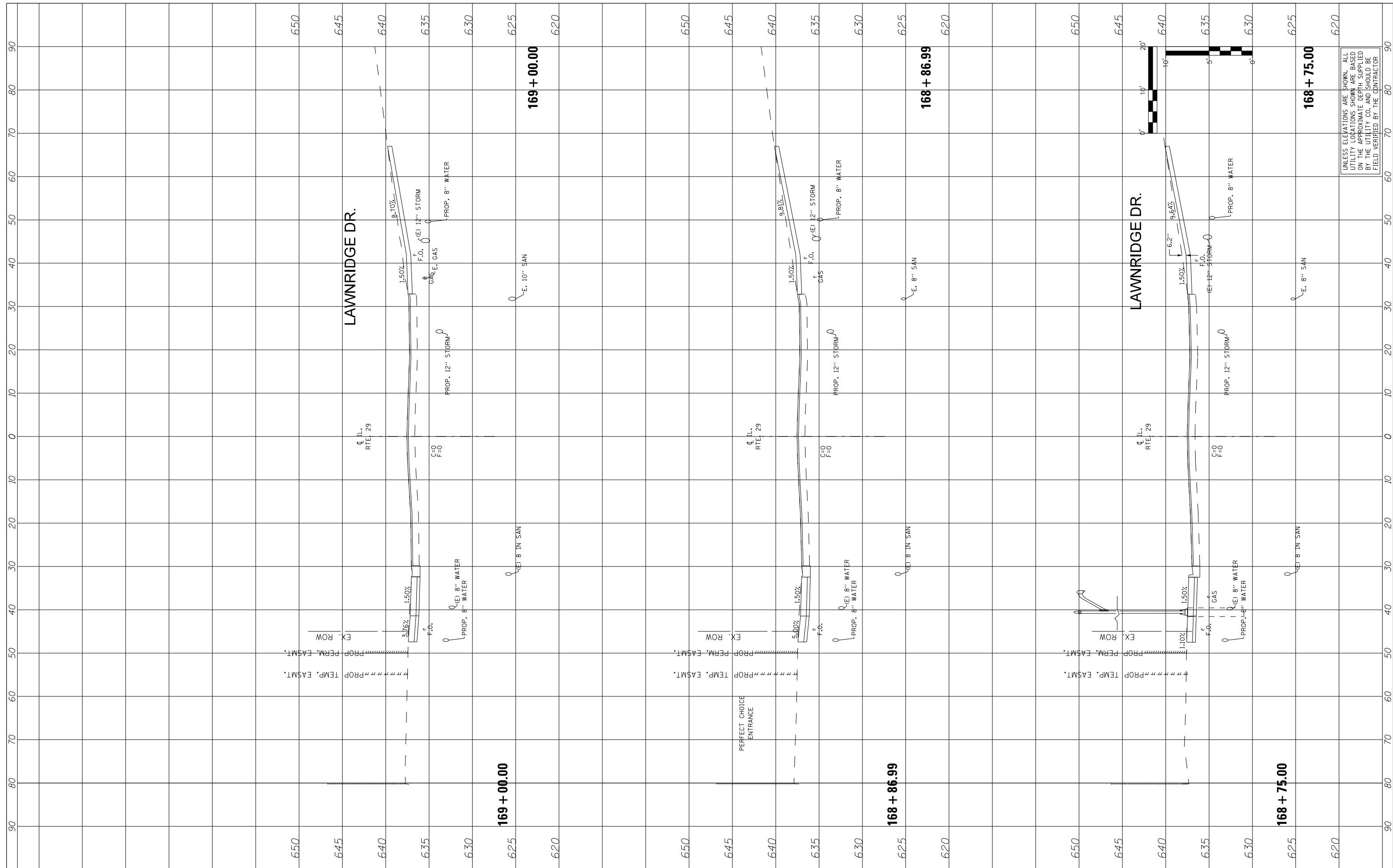
SCALE:	SHEET	OF	SHEETS	STA. 168+25.00	TO	STA. 168+50.00
--------	-------	----	--------	----------------	----	----------------

CROSS SECTIONS

F.A.P. RTE.	SECTION	COUNTY	TOTAL SHEETS	SHEET NO.
669	16-00045-01-SW	TAZEWELL	155	135
CONTRACT NO. 89713				
ILLINOIS FED. AID PROJECT 05E2(22)				

ORIGINAL SURVEY NO.	SURVEYED PLOTTED AREAS CHECKED	BY	DATE
FINIAL SURVEY NO.	SURVEYED PLOTTED AREAS CHECKED	BY	DATE

ORIGINAL SURVEY NO.	SURVEYED PLOTTED AREAS CHECKED	BY	DATE
FINIAL SURVEY NO.	SURVEYED PLOTTED AREAS CHECKED	BY	DATE



UNLESS ELEVATIONS ARE SHOWN, ALL UTILITY LOCATIONS SHOWN ARE BASED ON THE APPROXIMATE DEPTH SUPPLIED BY THE UTILITY CO. AND SHOULD BE FIELD VERIFIED BY THE CONTRACTOR

USER NAME = 100T	DESIGNED - KMC	REVISED -
PLOT SCALE = 20.0000' / in.	DRAWN - KRS DLC	REVISED -
PLOT DATE = 1/22/2019	CHECKED - RDC	REVISED -
	DATE -	REVISED -

**STATE OF ILLINOIS
DEPARTMENT OF TRANSPORTATION**

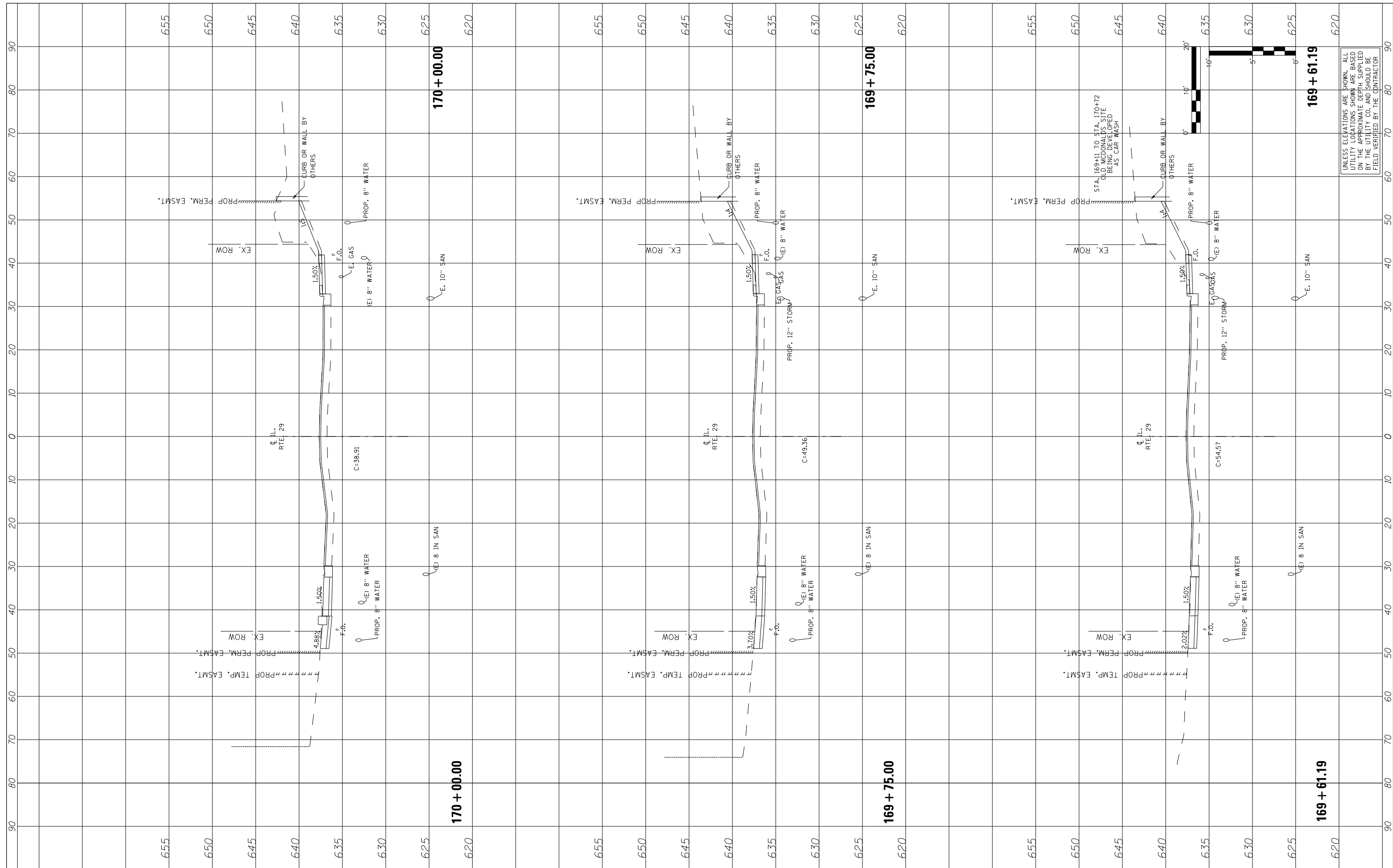
SCALE:	SHEET	OF	SHEETS	STA. 168+75.00	TO	STA. 169+00.00
--------	-------	----	--------	----------------	----	----------------

CROSS SECTIONS

F.A.P. RTE.	SECTION	COUNTY	TOTAL SHEETS	SHEET NO.
669	16-00045-01-SW	TAZEWELL	155	136
CONTRACT NO. 89713				
ILLINOIS FED. AID PROJECT 05E2(122)				

FINAL SURVEY NO.	SURVEYED PLOTTED AREAS CHECKED	BY	DATE

ORIGINAL SURVEY NO.	SURVEYED PLOTTED AREAS CHECKED	BY	DATE



UNLESS ELEVATIONS ARE SHOWN, ALL UTILITY LOCATIONS SHOWN ARE BASED ON THE APPROXIMATE DEPTH SUPPLIED BY THE UTILITY CO. AND SHOULD BE FIELD VERIFIED BY THE CONTRACTOR

USER NAME = 100T	DESIGNED - KMC	REVISED -
	DRAWN - KRS DLC	REVISED -
	CHECKED - RDC	REVISED -
	DATE -	REVISED -

STATE OF ILLINOIS
DEPARTMENT OF TRANSPORTATION

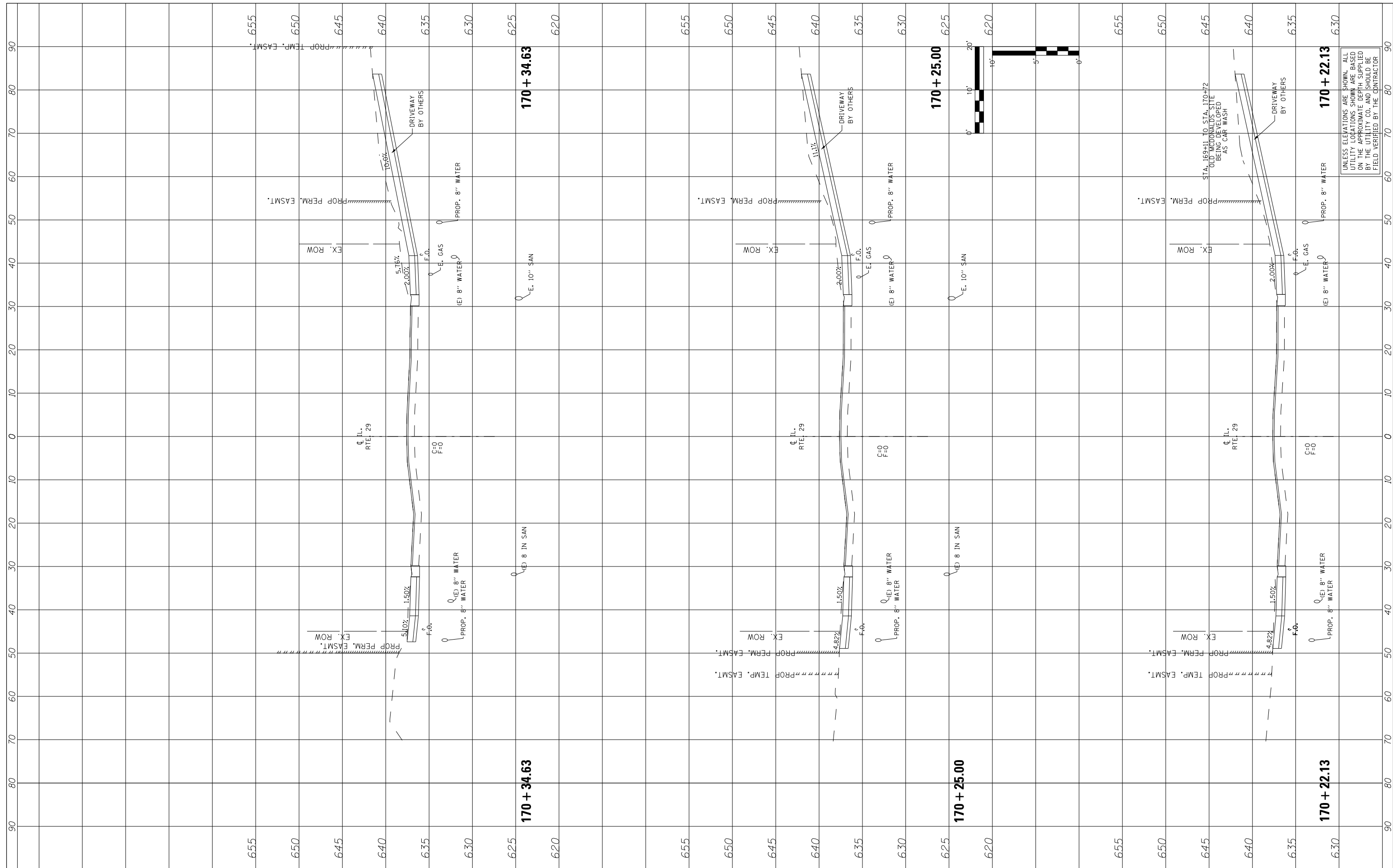
CROSS SECTIONS

SCALE: SHEET OF SHEETS STA. 169+61.19 TO STA. 170+00.00

F.A.P. RTE. 669	SECTION 16-00045-01-SW	COUNTY TAZEWELL	TOTAL SHEETS 155	SHEET NO. 138
CONTRACT NO. 89713				
ILLINOIS FED. AID PROJECT 05E2(122)				

FINAL SURVEY NO.	SURVEYED PLOTTED AREAS CHECKED	BY	DATE

ORIGINAL SURVEY NO.	SURVEYED PLOTTED AREAS CHECKED	BY	DATE



UNLESS ELEVATIONS ARE SHOWN, ALL UTILITY LOCATIONS SHOWN ARE BASED ON THE APPROXIMATE DEPTH SUPPLIED BY THE UTILITY CO. AND SHOULD BE FIELD VERIFIED BY THE CONTRACTOR

USER NAME = 100T	DESIGNED - KMC	REVISED -
	DRAWN - KRS DLC	REVISED -
	CHECKED - RDC	REVISED -
	DATE -	REVISED -

STATE OF ILLINOIS
DEPARTMENT OF TRANSPORTATION

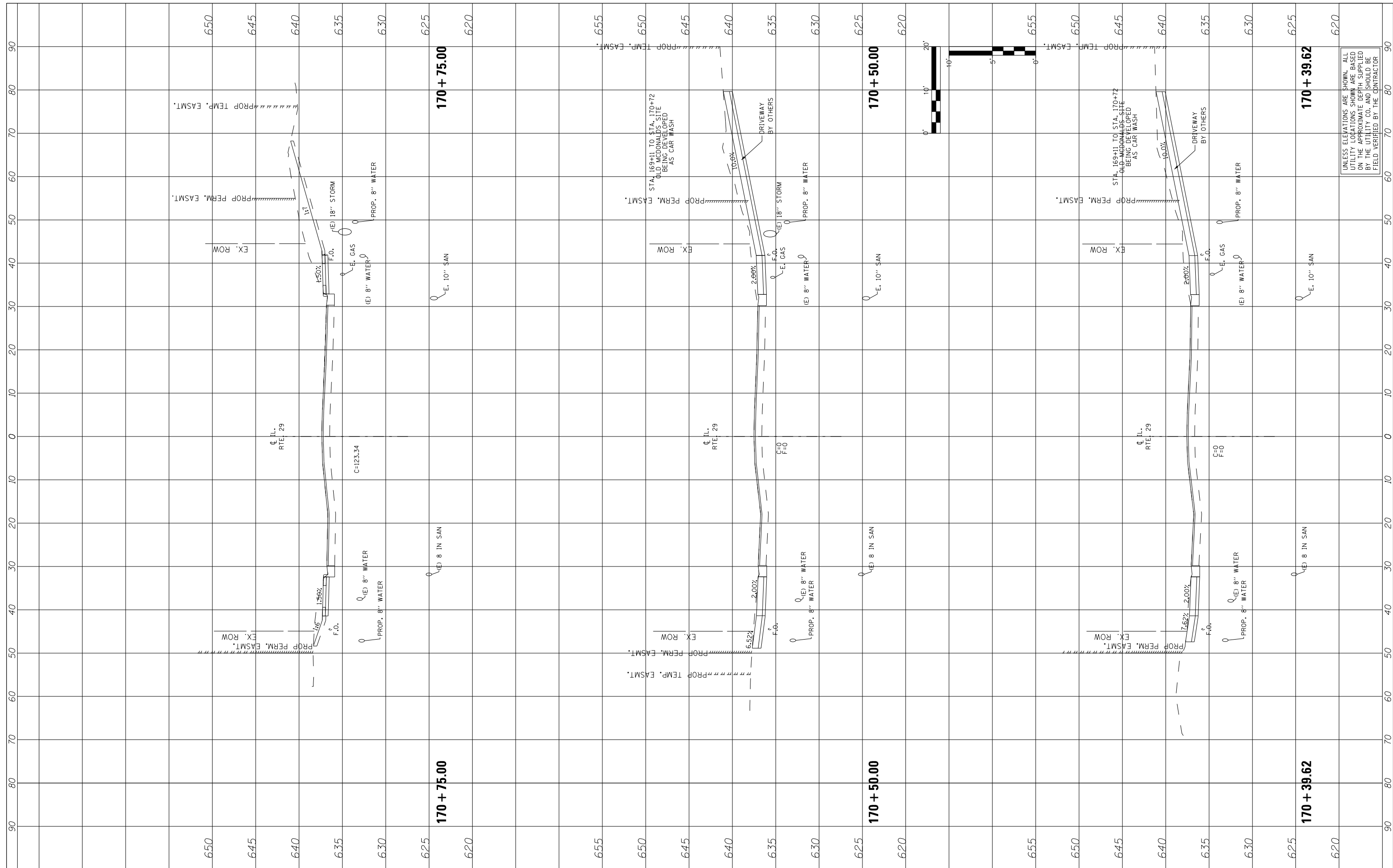
SCALE:	SHEET	OF	SHEETS	STA. 170+22.13	TO	STA. 170+34.63
--------	-------	----	--------	----------------	----	----------------

CROSS SECTIONS

F.A.P. RTE.	SECTION	COUNTY	TOTAL SHEETS	SHEET NO.
669	16-00045-01-SW	TAZEWELL	155	139
CONTRACT NO. 89713				
ILLINOIS FED. AID PROJECT 05E2(122)				

FINAL SURVEY NO.	SURVEY PLOTTED	DATE
NOTE BOOK NO.	TEMPLATE AREAS CHECKED	

ORIGINAL SURVEY NO.	SURVEY PLOTTED	DATE
NOTE BOOK NO.	TEMPLATE AREAS CHECKED	



UNLESS ELEVATIONS ARE SHOWN, ALL UTILITY LOCATIONS SHOWN ARE BASED ON THE APPROXIMATE DEPTH SUPPLIED BY THE UTILITY CO. AND SHOULD BE FIELD VERIFIED BY THE CONTRACTOR

USER NAME = 100T	DESIGNED - KMC	REVISED -
	DRAWN - KRS DLC	REVISED -
PLOT SCALE = 20.0000' / in.	CHECKED - RDC	REVISED -
PLOT DATE = 1/22/2019	DATE -	REVISED -

**STATE OF ILLINOIS
DEPARTMENT OF TRANSPORTATION**

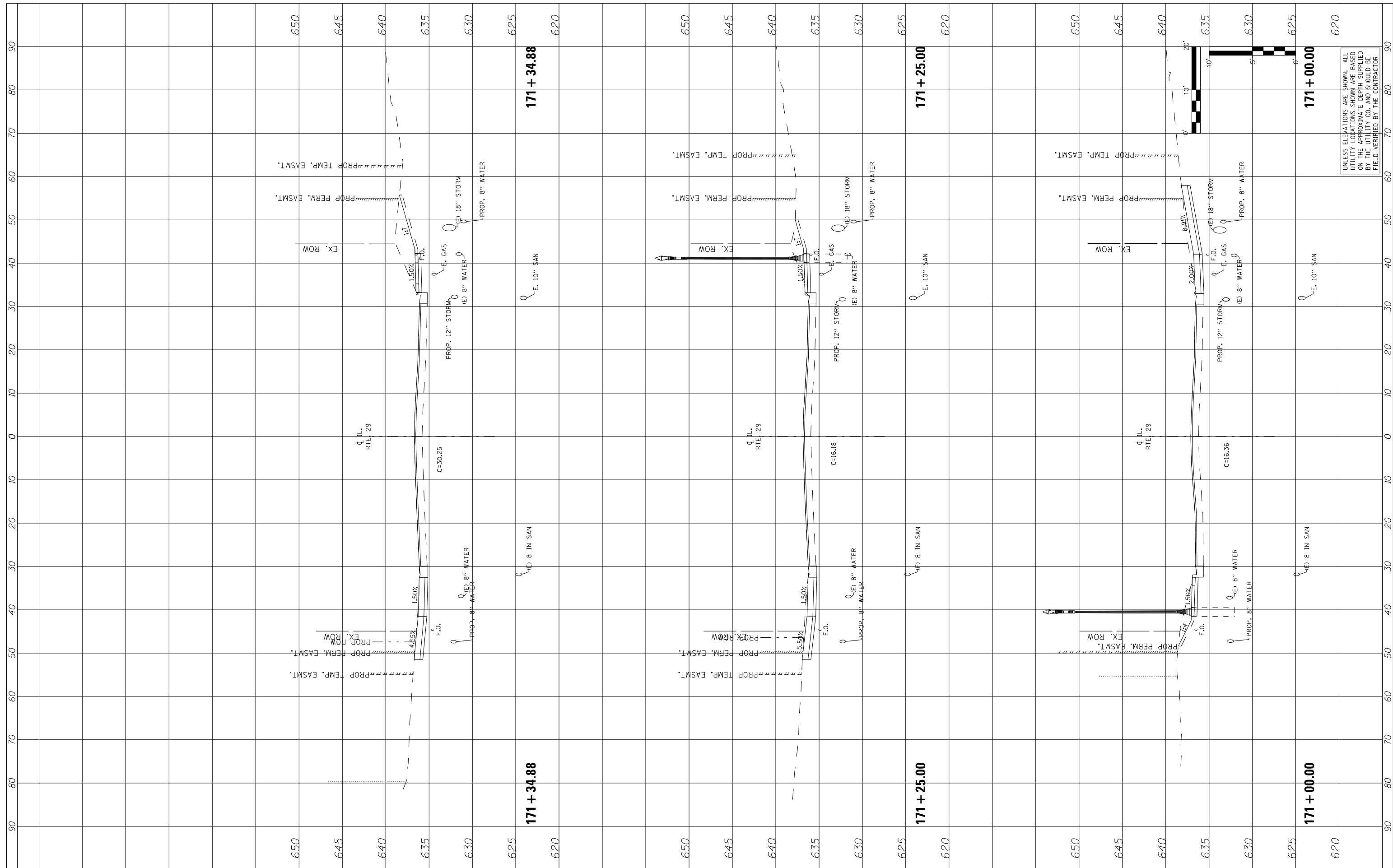
CROSS SECTIONS

SCALE: SHEET OF SHEETS STA. 170+39.62 TO STA. 170+75.00

F.A.P. RTE. 669	SECTION 16-00045-01-SW	COUNTY TAZEWELL	TOTAL SHEETS 155	SHEET NO. 140
CONTRACT NO. 89713				
ILLINOIS FED. AID PROJECT 05E2(22)				

FINAL SURVEY NO.	SURVEYED PLOTTED TEMPLATE AREAS CHECKED	BY	DATE

ORIGINAL SURVEY NO.	SURVEYED PLOTTED TEMPLATE AREAS CHECKED	BY	DATE



UNLESS ELEVATIONS ARE SHOWN, ALL UTILITY LOCATIONS SHOWN ARE BASED ON THE APPROXIMATE DEPTH SUPPLIED BY THE UTILITY CO. AND SHOULD BE FIELD VERIFIED BY THE CONTRACTOR

USER NAME = 100T	DESIGNED - KMC	REVISED -
	DRAWN - KRS DLC	REVISED -
PLOT SCALE = 20.0000' / in.	CHECKED - RDC	REVISED -
PLOT DATE = 1/22/2019	DATE -	REVISED -

**STATE OF ILLINOIS
DEPARTMENT OF TRANSPORTATION**

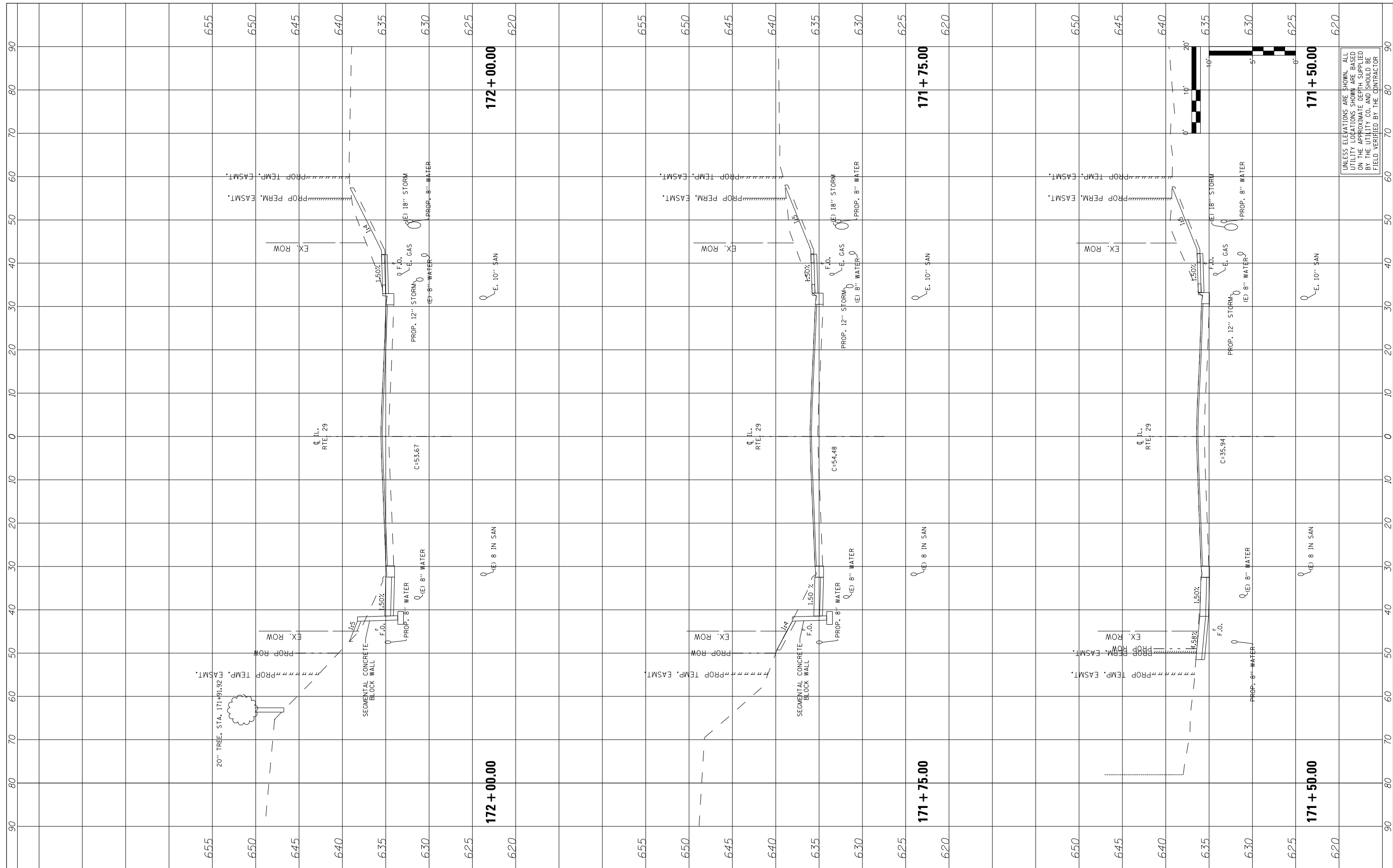
CROSS SECTIONS

SCALE: SHEET OF SHEETS STA. 171+00.00 TO STA. 171+34.88

F.A.P. RTE. 669	SECTION 16-00045-01-SW	COUNTY TAZEWELL	TOTAL SHEETS 155	SHEET NO. 141
CONTRACT NO. 89713				
ILLINOIS FED. AID PROJECT 05E2(22)				

FINAL SURVEY NO.	SURVEYED PLOTTED TEMPLATE AREAS CHECKED	BY	DATE

ORIGINAL SURVEY NO.	SURVEYED PLOTTED TEMPLATE AREAS CHECKED	BY	DATE



UNLESS ELEVATIONS ARE SHOWN, ALL UTILITY LOCATIONS SHOWN ARE BASED ON THE APPROXIMATE DEPTH SUPPLIED BY THE UTILITY CO. AND SHOULD BE FIELD VERIFIED BY THE CONTRACTOR

USER NAME = 100T	DESIGNED - KMC	REVISED -
	DRAWN - KRS DLC	REVISED -
PLOT SCALE = 20.0000' / in.	CHECKED - RDC	REVISED -
PLOT DATE = 1/22/2019	DATE -	REVISED -

STATE OF ILLINOIS
DEPARTMENT OF TRANSPORTATION

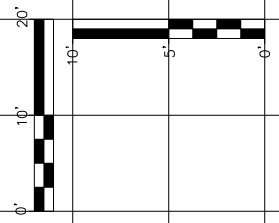
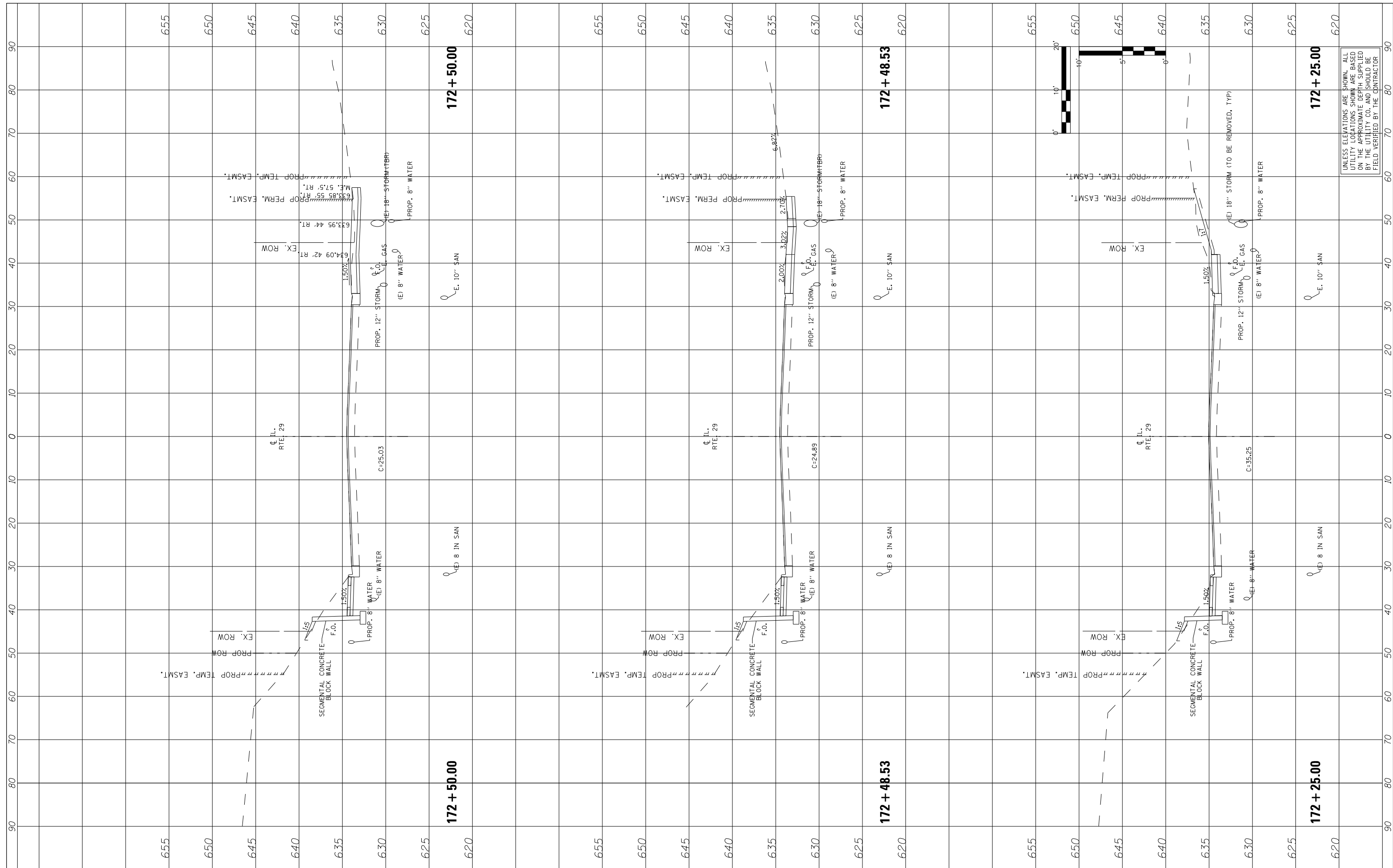
SCALE:		SHEET OF SHEETS		STA. 171+50.00 TO STA. 172+00.00	
--------	--	-----------------	--	----------------------------------	--

CROSS SECTIONS

F.A.P. RTE. 669	SECTION 16-00045-01-SW	COUNTY TAZEWELL	TOTAL SHEETS 155	SHEET NO. 142
CONTRACT NO. 89713				
ILLINOIS FED. AID PROJECT 05E2(122)				

FINAL SURVEY NO.	SURVEYED PLOTTED TEMPLATE AREAS CHECKED	BY	DATE

ORIGINAL SURVEY NO.	SURVEYED PLOTTED TEMPLATE AREAS CHECKED	BY	DATE



UNLESS ELEVATIONS ARE SHOWN, ALL UTILITY LOCATIONS SHOWN ARE BASED ON THE APPROXIMATE DEPTH SUPPLIED BY THE UTILITY CO. AND SHOULD BE FIELD VERIFIED BY THE CONTRACTOR

USER NAME = 100T	DESIGNED - KMC	REVISED -
	DRAWN - KRS DLC	REVISED -
PLOT SCALE = 20.0000' / in.	CHECKED - RDC	REVISED -
PLOT DATE = 1/22/2019	DATE -	REVISED -

172 + 50.00	(E) 8 IN SAN
172 + 48.53	(E) 8 IN SAN
172 + 25.00	(E) 8 IN SAN

STATE OF ILLINOIS
DEPARTMENT OF TRANSPORTATION

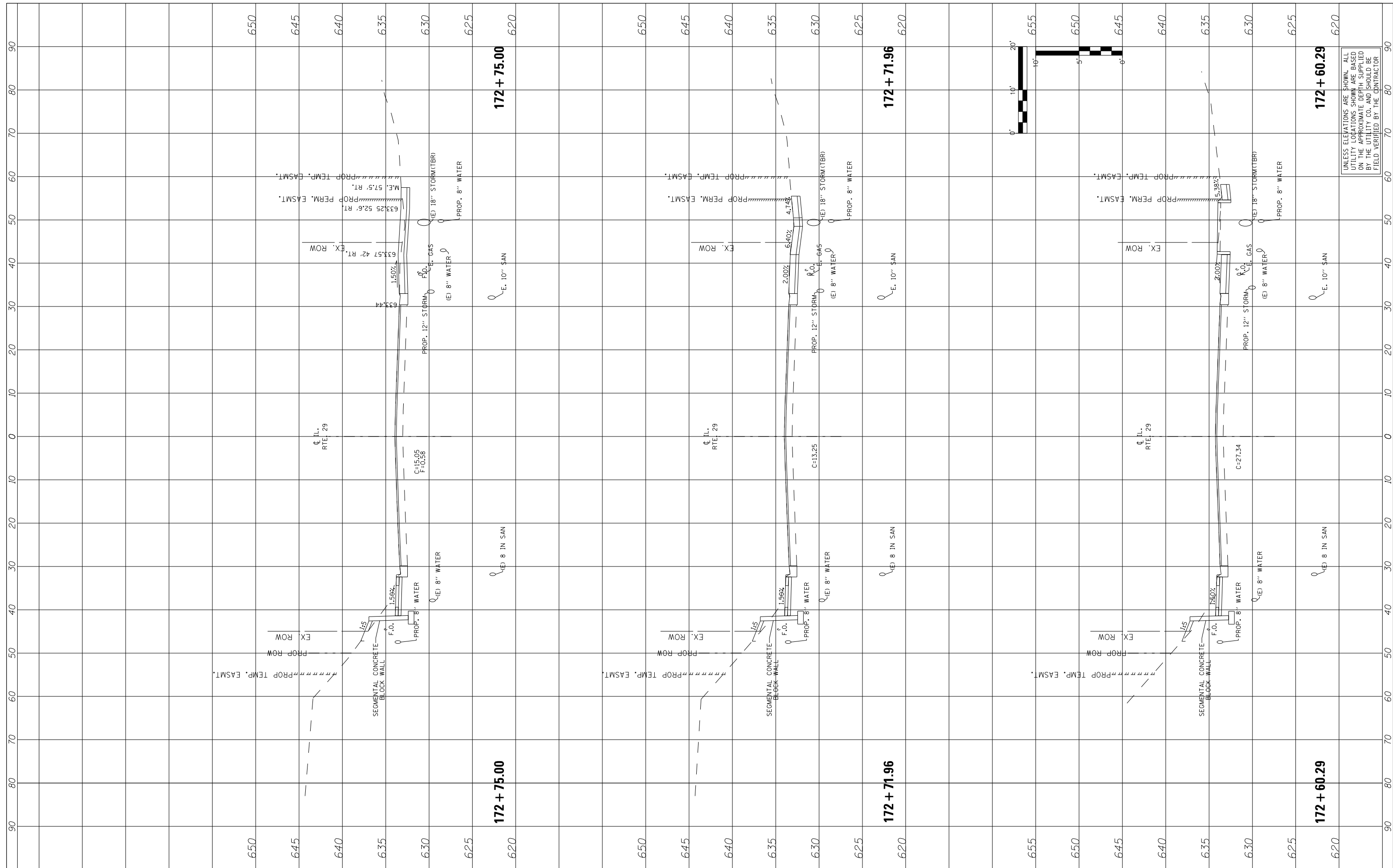
CROSS SECTIONS

SCALE: SHEET OF SHEETS STA. 172+25.00 TO STA. 172+50.00

F.A.P. RTE. 669	SECTION 16-00045-01-SW	COUNTY TAZEWELL	TOTAL SHEETS 155	SHEET NO. 143
CONTRACT NO. 89713				
ILLINOIS FED. AID PROJECT 05E2(122)				

FINAL SURVEY NO.	SURVEYED PLOTTED TEMPLATE AREAS CHECKED	BY	DATE

ORIGINAL SURVEY NO.	SURVEYED PLOTTED TEMPLATE AREAS CHECKED	BY	DATE



UNLESS ELEVATIONS ARE SHOWN, ALL UTILITY LOCATIONS SHOWN ARE BASED ON THE APPROXIMATE DEPTH SUPPLIED BY THE UTILITY CO. AND SHOULD BE FIELD VERIFIED BY THE CONTRACTOR.

USER NAME = 100T	DESIGNED - KMC	REVISED -
	DRAWN - KRS DLC	REVISED -
PLOT SCALE = 20.0000' / in.	CHECKED - RDC	REVISED -
PLOT DATE = 1/22/2019	DATE -	REVISED -

**STATE OF ILLINOIS
DEPARTMENT OF TRANSPORTATION**

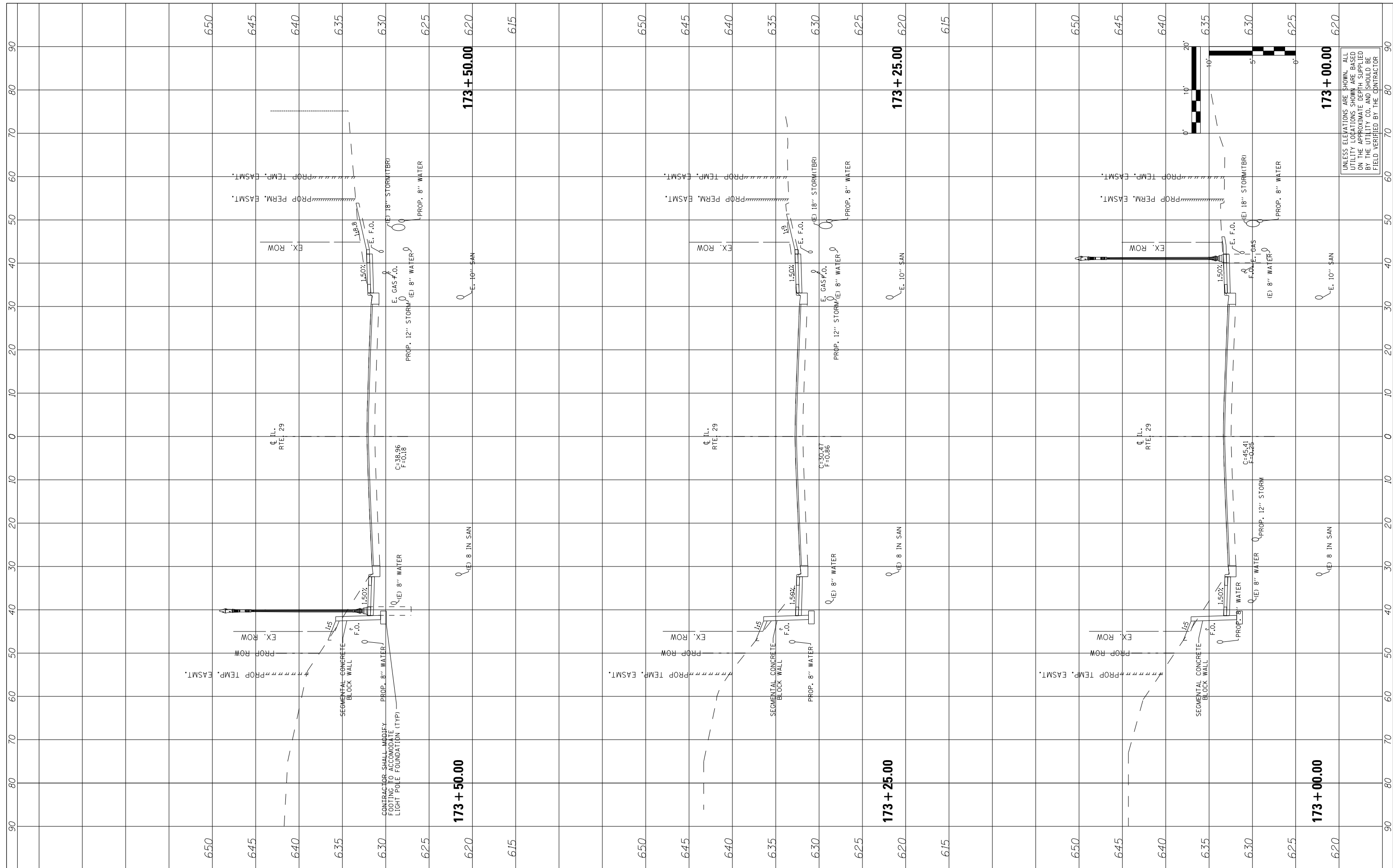
CROSS SECTIONS

SCALE: SHEET OF SHEETS STA. 172+60.29 TO STA. 172+75.00

F.A.P. RTE. 669	SECTION 16-00045-01-SW	COUNTY TAZEWELL	TOTAL SHEETS 155	SHEET NO. 144
CONTRACT NO.				
ILLINOIS FED. AID PROJECT 05E2(122)				

FINAL SURVEY NO.	SURVEY PLOTTED TEMPLATE AREAS CHECKED	BY	DATE

ORIGINAL SURVEY NO.	SURVEY PLOTTED TEMPLATE AREAS CHECKED	BY	DATE



UNLESS ELEVATIONS ARE SHOWN, ALL UTILITY LOCATIONS SHOWN ARE BASED ON THE APPROXIMATE DEPTH SUPPLIED BY THE UTILITY CO. AND SHOULD BE FIELD VERIFIED BY THE CONTRACTOR

USER NAME = 100T	DESIGNED - KMC	REVISED -
	DRAWN - KRS DLC	REVISED -
PLOT SCALE = 20.0000' / in.	CHECKED - RDC	REVISED -
PLOT DATE = 1/22/2019	DATE -	REVISED -

STATE OF ILLINOIS
DEPARTMENT OF TRANSPORTATION

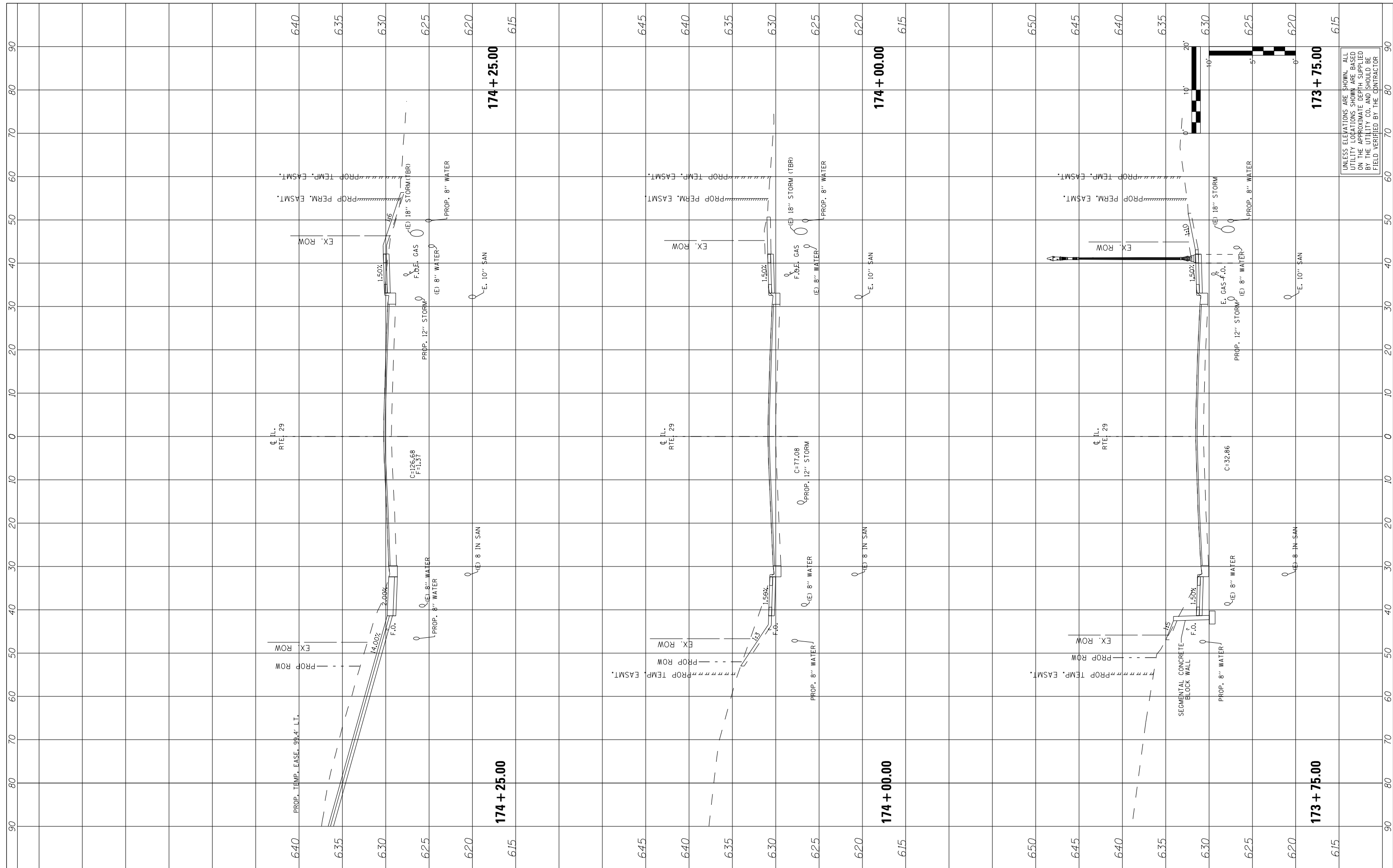
CROSS SECTIONS

SCALE: SHEET OF SHEETS STA. 173+00.00 TO STA. 173+50.00

F.A.P. RTE. 669	SECTION 16-00045-01-SW	COUNTY TAZEWELL	TOTAL SHEETS 155	SHEET NO. 145
CONTRACT NO. 89713				
ILLINOIS FED. AID PROJECT 05E2(122)				

FINAL SURVEY NO.	SURVEY PLOTTED TEMPLATE AREAS CHECKED	BY	DATE

ORIGINAL SURVEY NO.	SURVEY PLOTTED TEMPLATE AREAS CHECKED	BY	DATE



UNLESS ELEVATIONS ARE SHOWN, ALL UTILITY LOCATIONS SHOWN ARE BASED ON THE APPROXIMATE DEPTH SUPPLIED BY THE UTILITY CO. AND SHOULD BE FIELD VERIFIED BY THE CONTRACTOR

USER NAME = 100T	DESIGNED - KMC	REVISED -
	DRAWN - KRS DLC	REVISED -
PLOT SCALE = 20.0000' / in.	CHECKED - RDC	REVISED -
PLOT DATE = 1/22/2019	DATE -	REVISED -

**STATE OF ILLINOIS
DEPARTMENT OF TRANSPORTATION**

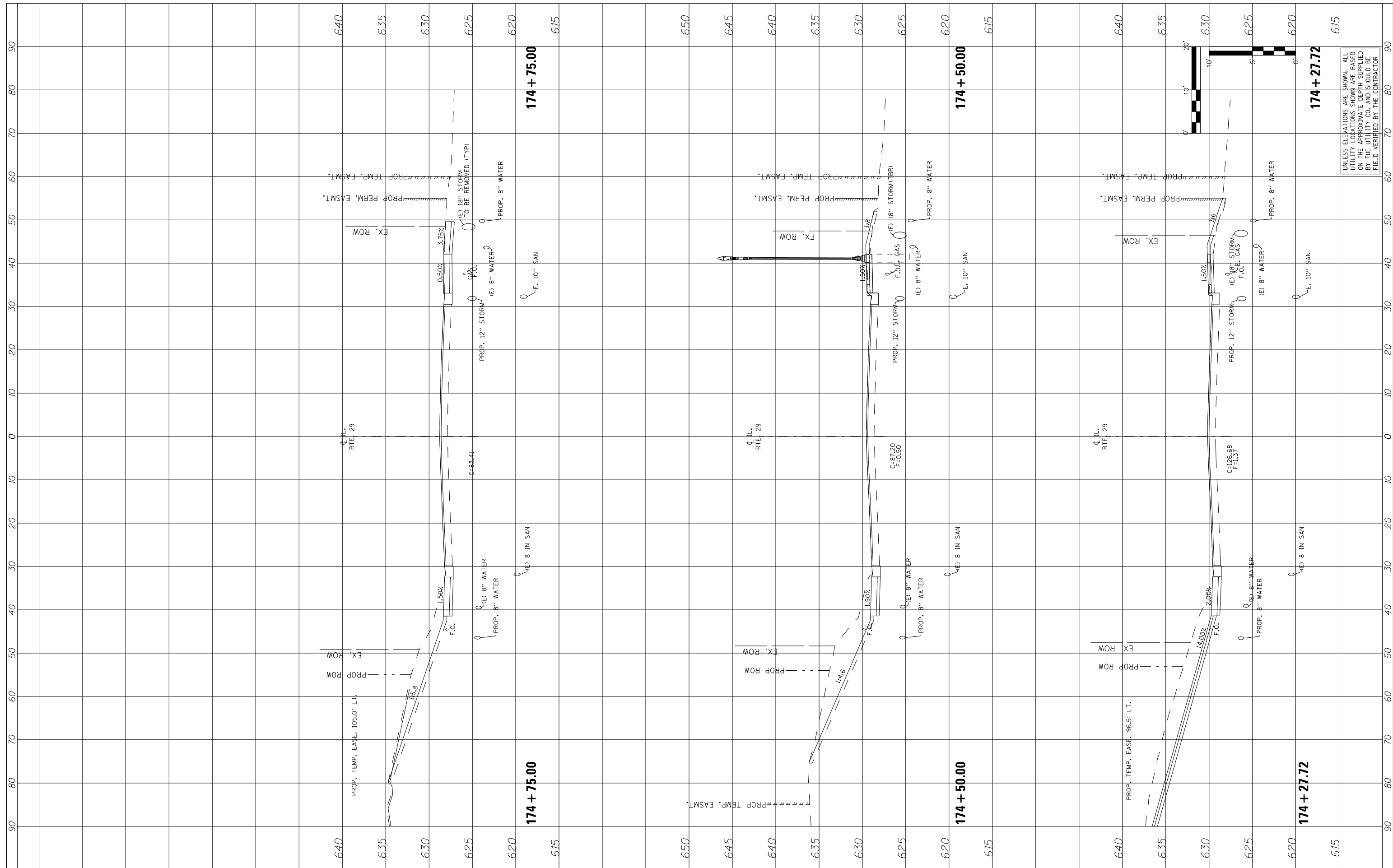
CROSS SECTIONS

SCALE: SHEET OF SHEETS STA. 173+75.00 TO STA. 174+25.00

F.A.P. RTE. 669	SECTION 16-00045-01-SW	COUNTY TAZEWELL	TOTAL SHEETS 155	SHEET NO. 146
CONTRACT NO. 89713				
ILLINOIS FED. AID PROJECT 05E2(122)				

FINAL SURVEY NO.	SURVEYED PLOTTED TEMPLATE AREAS CHECKED	BY	DATE

ORIGINAL SURVEY NO.	SURVEYED PLOTTED TEMPLATE AREAS CHECKED	BY	DATE



UNLESS ELEVATIONS ARE SHOWN, ALL UTILITY LOCATIONS SHOWN ARE BASED ON THE APPROXIMATE DEPTH SUPPLIED BY THE UTILITY CO. AND SHOULD BE FIELD VERIFIED BY THE CONTRACTOR

USER NAME = 100T	DESIGNED - KMC	REVISED -
	DRAWN - KRS DLC	REVISED -
PLOT SCALE = 20.0000' / in.	CHECKED - RDC	REVISED -
PLOT DATE = 1/22/2019	DATE -	REVISED -

STATE OF ILLINOIS
DEPARTMENT OF TRANSPORTATION

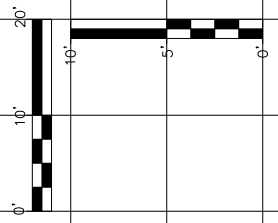
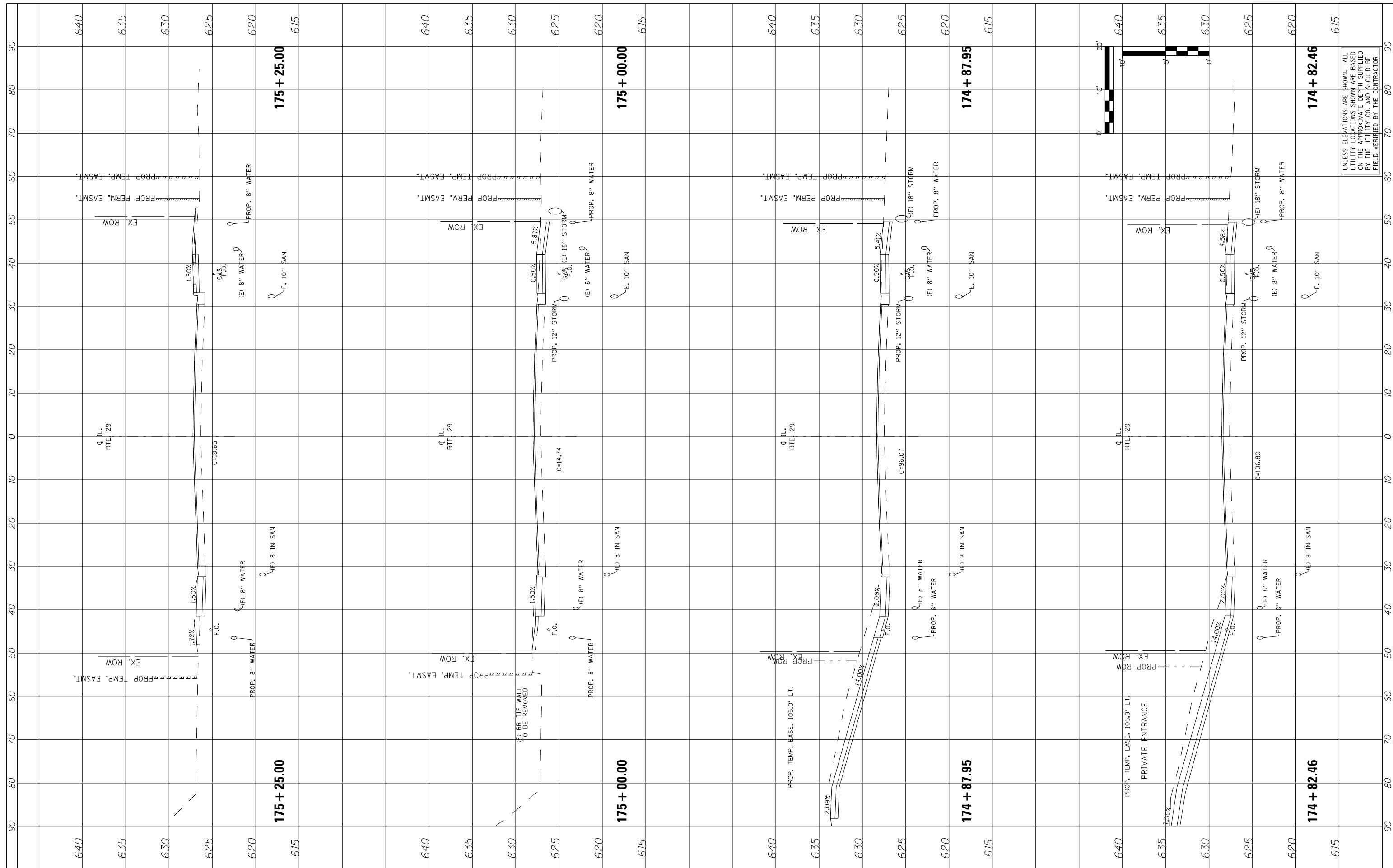
CROSS SECTIONS

SCALE: SHEET OF SHEETS STA. 174+27.72 TO STA. 174+75.00

F.A.P. RTE. 669	SECTION 16-00045-01-SW	COUNTY TAZEWELL	TOTAL SHEETS 155	SHEET NO. 147
CONTRACT NO. 89713				
ILLINOIS FED. AID PROJECT 05E2(22)				

FINAL SURVEY NO.	SURVEY PLOTTED TEMPLATE AREAS CHECKED	BY	DATE

ORIGINAL SURVEY NO.	SURVEY PLOTTED TEMPLATE AREAS CHECKED	BY	DATE



UNLESS ELEVATIONS ARE SHOWN, ALL UTILITY LOCATIONS SHOWN ARE BASED ON THE APPROXIMATE DEPTH SUPPLIED BY THE UTILITY CO. AND SHOULD BE FIELD VERIFIED BY THE CONTRACTOR

USER NAME = 100T	DESIGNED - KMC	REVISED -
	DRAWN - KRS DLC	REVISED -
PLOT SCALE = 20.0000' / in.	CHECKED - RDC	REVISED -
PLOT DATE = 1/22/2019	DATE -	REVISED -

**STATE OF ILLINOIS
DEPARTMENT OF TRANSPORTATION**

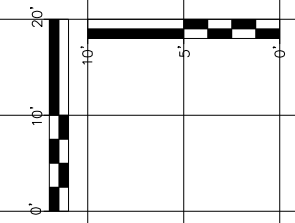
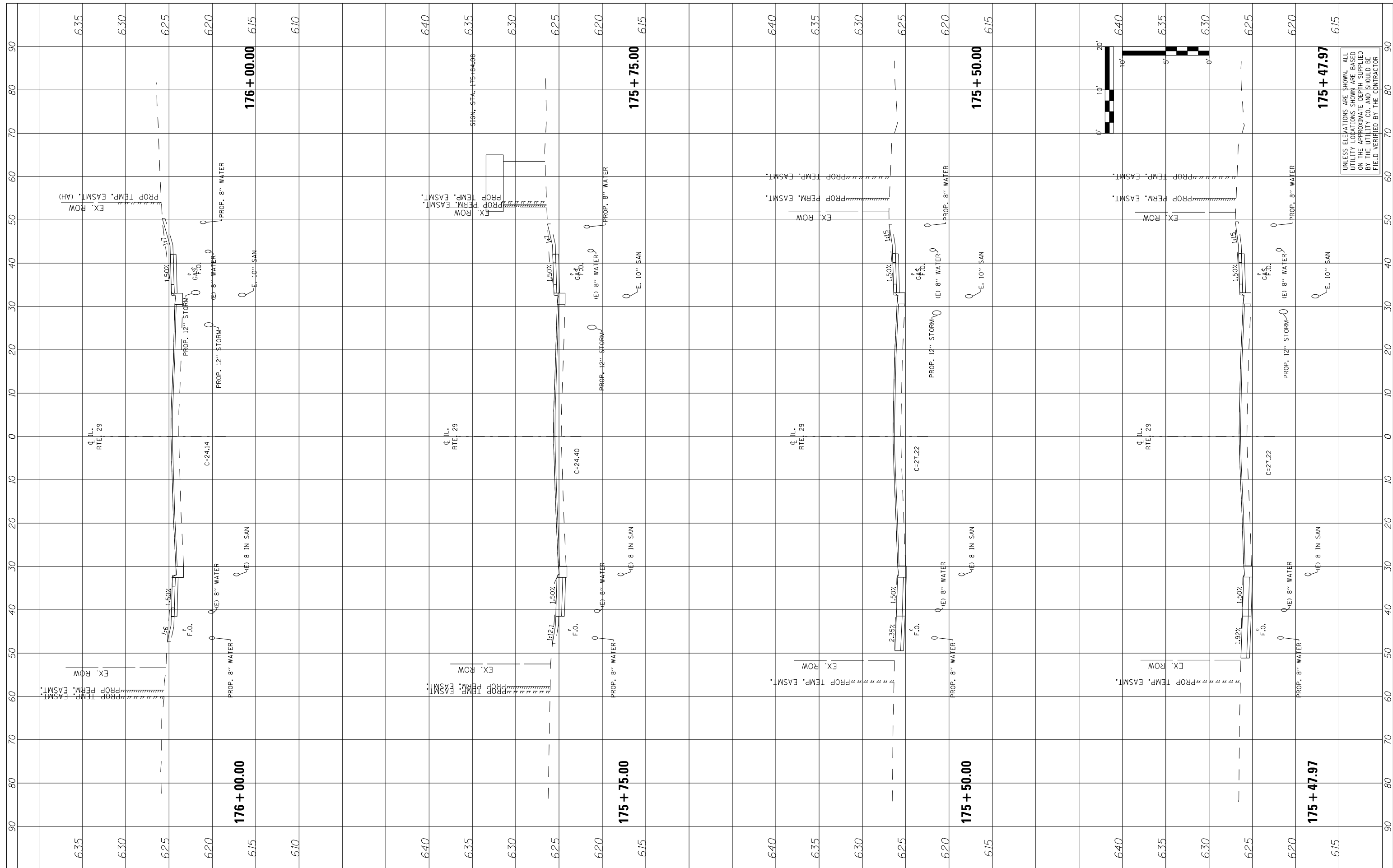
SCALE:		SHEET OF SHEETS		STA. 174+82.46 TO STA. 175+25.00	
--------	--	-----------------	--	----------------------------------	--

CROSS SECTIONS

F.A.P. RTE. 669	SECTION 16-00045-01-SW	COUNTY TAZEWELL	TOTAL SHEETS 155	SHEET NO. 148
			CONTRACT NO. 89713	
			ILLINOIS FED. AID PROJECT 05E2(22)	

NO.	AREAS CHECKED
	PLOTTED
	TEMPLATES
	SURVEYED
BY	DATE

NO.	AREAS CHECKED
	TEMPLATES
	PLOTTED
	SURVEYED
BY	DATE



UNLESS ELEVATIONS ARE SHOWN, ALL UTILITY LOCATIONS SHOWN ARE BASED ON THE APPROXIMATE DEPTH SUPPLIED BY THE UTILITY CO. AND SHOULD BE FIELD VERIFIED BY THE CONTRACTOR

USER NAME = 100T	DESIGNED - KMC	REVISED -
	DRAWN - KRS DLC	REVISED -
PLOT SCALE = 20.0000' / in.	CHECKED - RDC	REVISED -
PLOT DATE = 1/22/2019	DATE -	REVISED -

**STATE OF ILLINOIS
DEPARTMENT OF TRANSPORTATION**

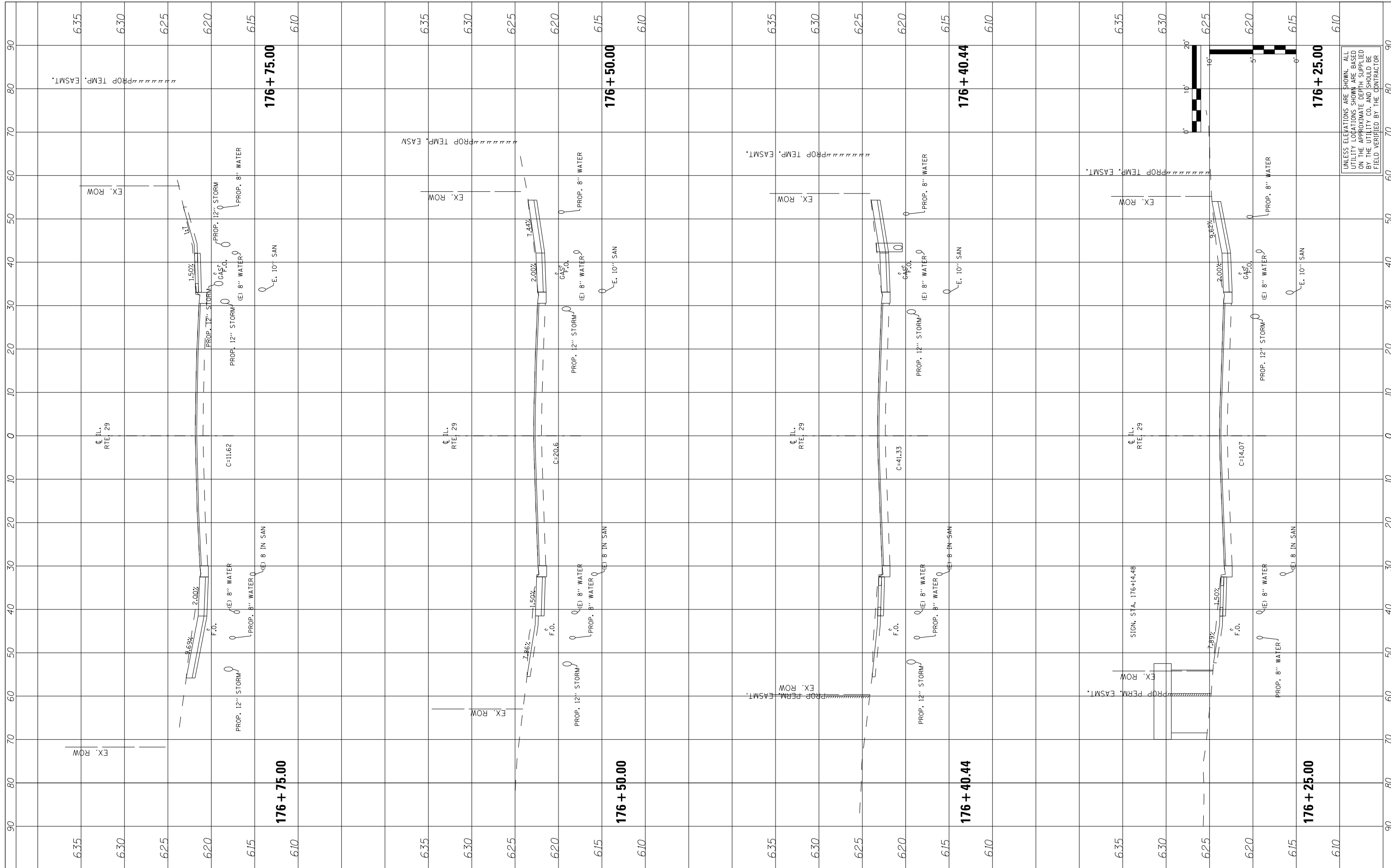
CROSS SECTIONS

SCALE: SHEET OF SHEETS STA. 175+47.97 TO STA. 176+00.00

F.A.P. RTE.	SECTION	COUNTY	TOTAL SHEETS	SHEET NO.
669	16-00045-01-SW	TAZEWELL	155	149
CONTRACT NO. 89713				
ILLINOIS FED. AID PROJECT 05E2(122)				

ORIGINAL SURVEY NO.	SURVEYED PLOTTED AREAS CHECKED	BY	DATE

FINAL SURVEY NO.	SURVEYED PLOTTED AREAS CHECKED	BY	DATE



UNLESS ELEVATIONS ARE SHOWN, ALL UTILITY LOCATIONS SHOWN ARE BASED ON THE APPROXIMATE DEPTH SUPPLIED BY THE UTILITY CO. AND SHOULD BE FIELD VERIFIED BY THE CONTRACTOR

USER NAME = 100T	DESIGNED - KMC	REVISED -
	DRAWN - KRS DLC	REVISED -
	CHECKED - RDC	REVISED -
	DATE -	REVISED -

STATE OF ILLINOIS
DEPARTMENT OF TRANSPORTATION

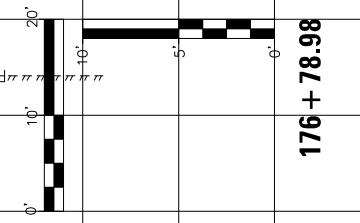
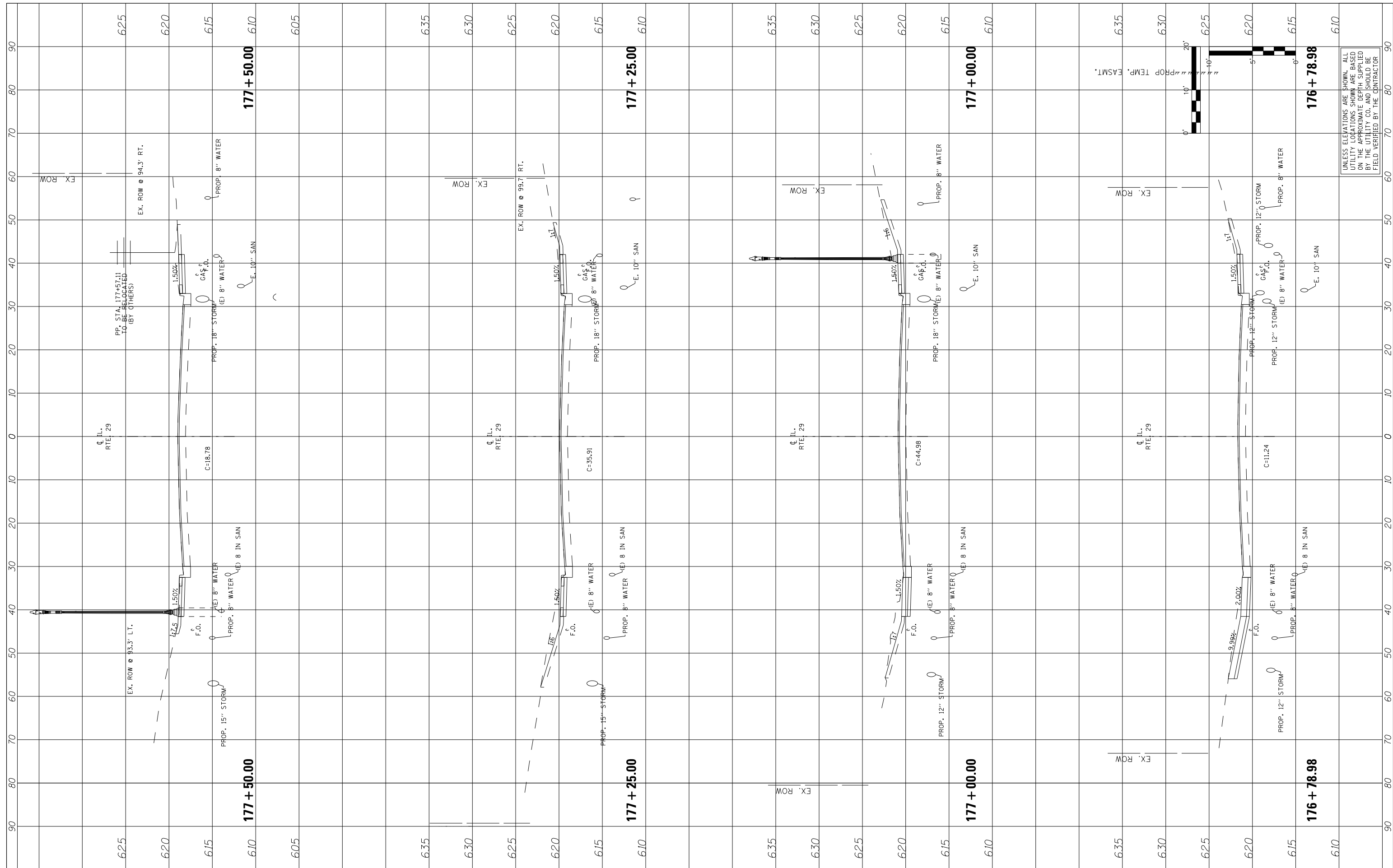
CROSS SECTIONS

SCALE: SHEET OF SHEETS STA. 176+25.00 TO STA. 176+75.00

F.A.P. RTE. 669	SECTION 16-00045-01-SW	COUNTY TAZEWELL	TOTAL SHEETS 155	SHEET NO. 150
CONTRACT NO. 89713				
ILLINOIS FED. AID PROJECT 05E2(122)				

FINAL SURVEY NO.	SURVEY PLOTTED TEMPLATE AREAS CHECKED	BY	DATE

ORIGINAL SURVEY NO.	SURVEY PLOTTED TEMPLATE AREAS CHECKED	BY	DATE



USER NAME = 100T	DESIGNED - KMC	REVISED -
	DRAWN - KRS DLC	REVISED -
PLOT SCALE = 20.0000' / in.	CHECKED - RDC	REVISED -
PLOT DATE = 1/22/2019	DATE -	REVISED -

**STATE OF ILLINOIS
DEPARTMENT OF TRANSPORTATION**

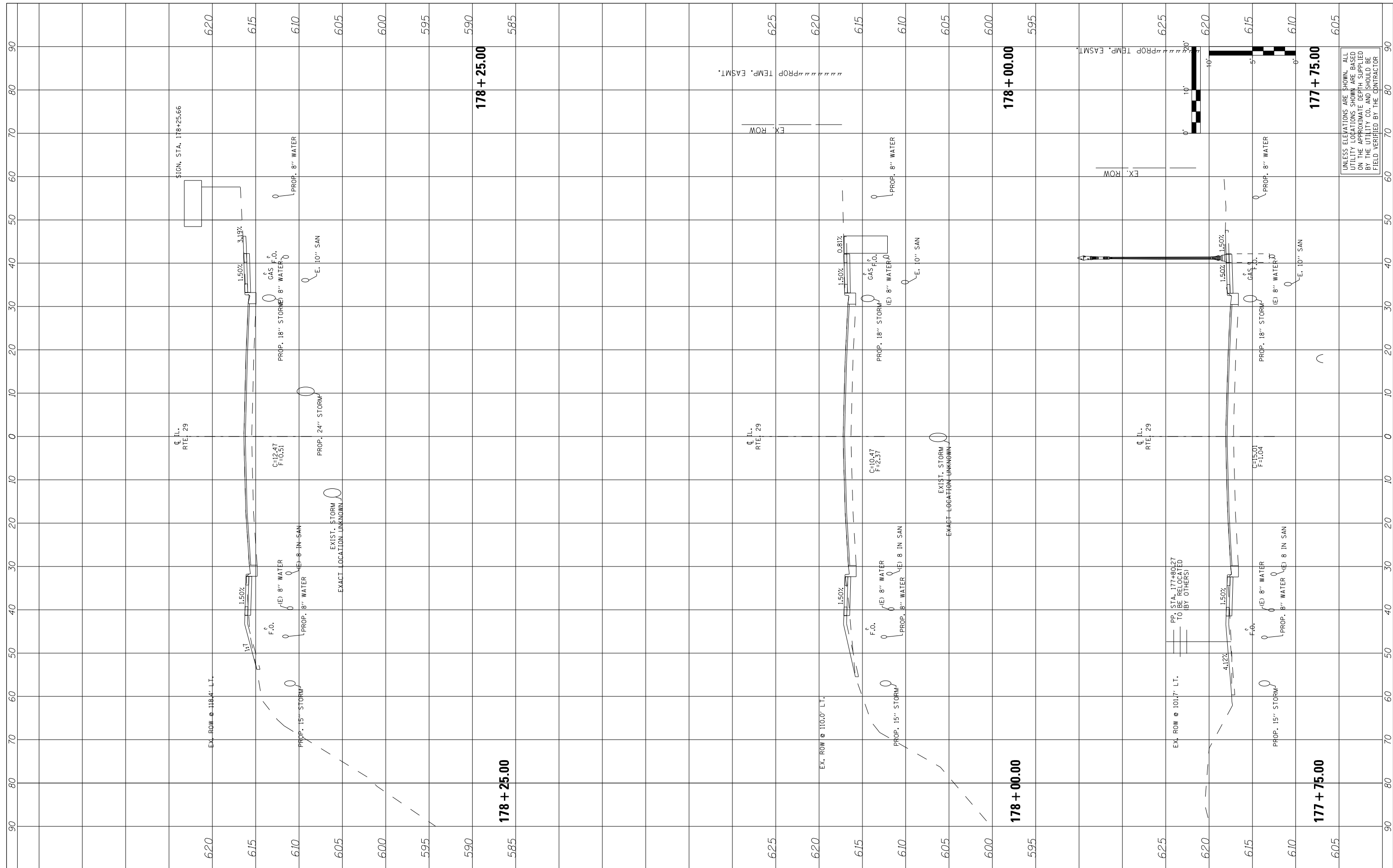
SCALE:	SHEET	OF	SHEETS	STA. 176+78.98	TO	STA. 177+50.00
--------	-------	----	--------	----------------	----	----------------

CROSS SECTIONS

F.A.P. RTE. 669	SECTION 16-00045-01-SW	COUNTY TAZEWELL	TOTAL SHEETS 155	SHEET NO. 151
CONTRACT NO. 89713				
ILLINOIS FED. AID PROJECT 05E2(122)				

FINAL SURVEY NO.	SURVEYED PLOTTED TEMPLATE AREAS CHECKED	BY	DATE

ORIGINAL SURVEY NO.	SURVEYED PLOTTED TEMPLATE AREAS CHECKED	BY	DATE



UNLESS ELEVATIONS ARE SHOWN, ALL UTILITY LOCATIONS SHOWN ARE BASED ON THE APPROXIMATE DEPTH SUPPLIED BY THE UTILITY CO. AND SHOULD BE FIELD VERIFIED BY THE CONTRACTOR

USER NAME = 100T	DESIGNED - KMC	REVISED -
DRAWN - KRS DLC	CHECKED - RDC	REVISED -
PLOT SCALE = 20.0000' / in.	DATE -	REVISED -
PLOT DATE = 1/22/2019		

STATE OF ILLINOIS
DEPARTMENT OF TRANSPORTATION

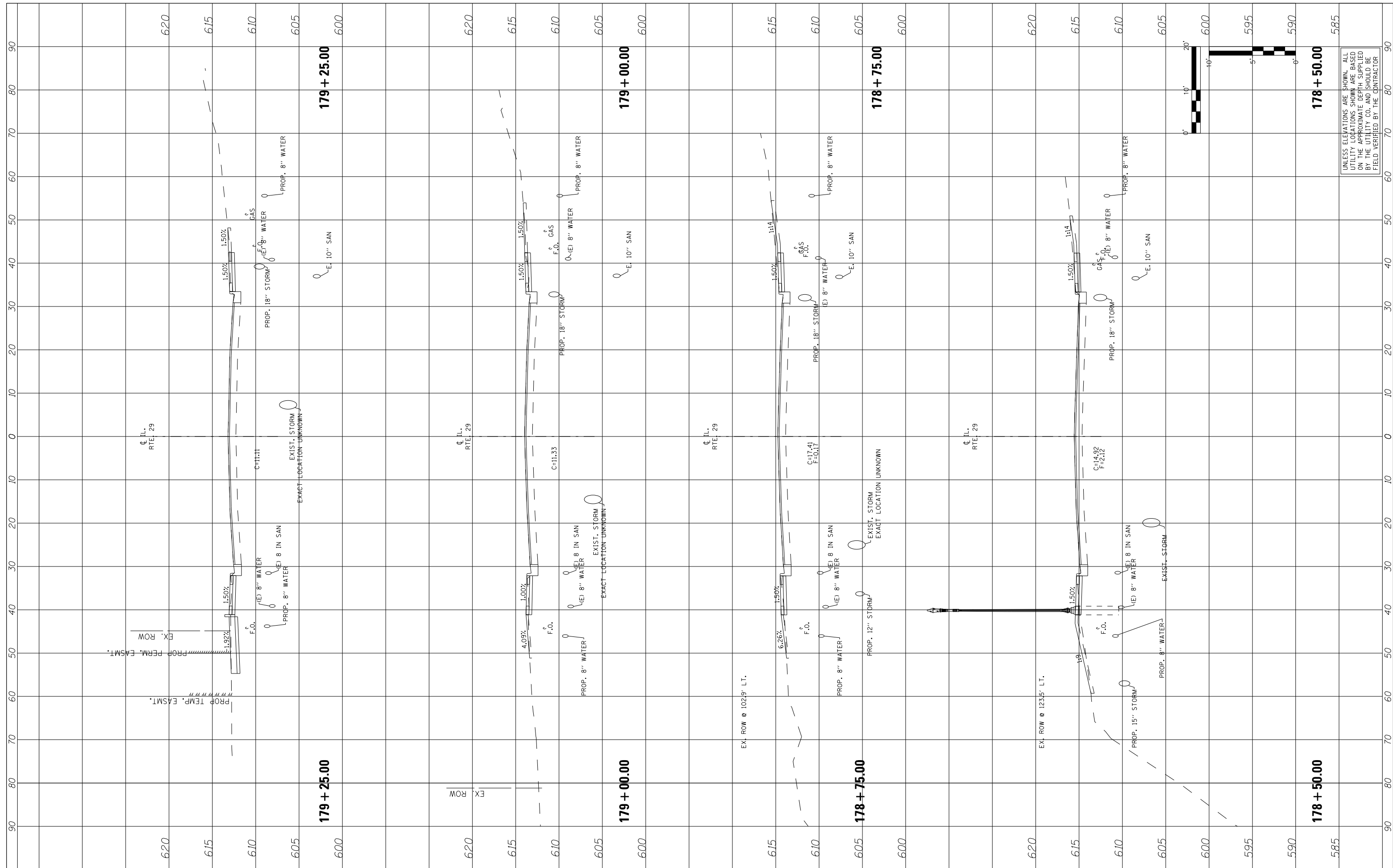
SCALE:		SHEET	OF	SHEETS	STA. 177+75.00	TO	STA. 178+25.00
--------	--	-------	----	--------	----------------	----	----------------

CROSS SECTIONS

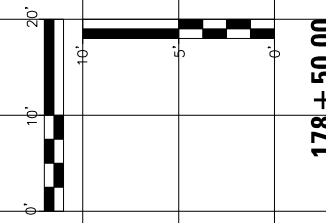
F.A.P. RTE. 669	SECTION 16-00045-01-SW	COUNTY TAZEWELL	TOTAL SHEETS 155	SHEET NO. 152
CONTRACT NO. 89713				
ILLINOIS FED. AID PROJECT 05E2(22)				

FINIAL SURVEY NO.	SURVEYED PLOTTED TEMPLATE AREAS CHECKED	BY	DATE
-------------------	---	----	------

ORIGINAL SURVEY NO.	SURVEYED PLOTTED TEMPLATE AREAS CHECKED	BY	DATE
---------------------	---	----	------



UNLESS ELEVATIONS ARE SHOWN, ALL UTILITY LOCATIONS SHOWN ARE BASED ON THE APPROXIMATE DEPTH SUPPLIED BY THE UTILITY CO. AND SHOULD BE FIELD VERIFIED BY THE CONTRACTOR



USER NAME = 100T	DESIGNED - KMC	REVISED -
	DRAWN - KRS DLC	REVISED -
PLOT SCALE = 20.0000' / in.	CHECKED - RDC	REVISED -
PLOT DATE = 1/22/2019	DATE -	REVISED -

**STATE OF ILLINOIS
DEPARTMENT OF TRANSPORTATION**

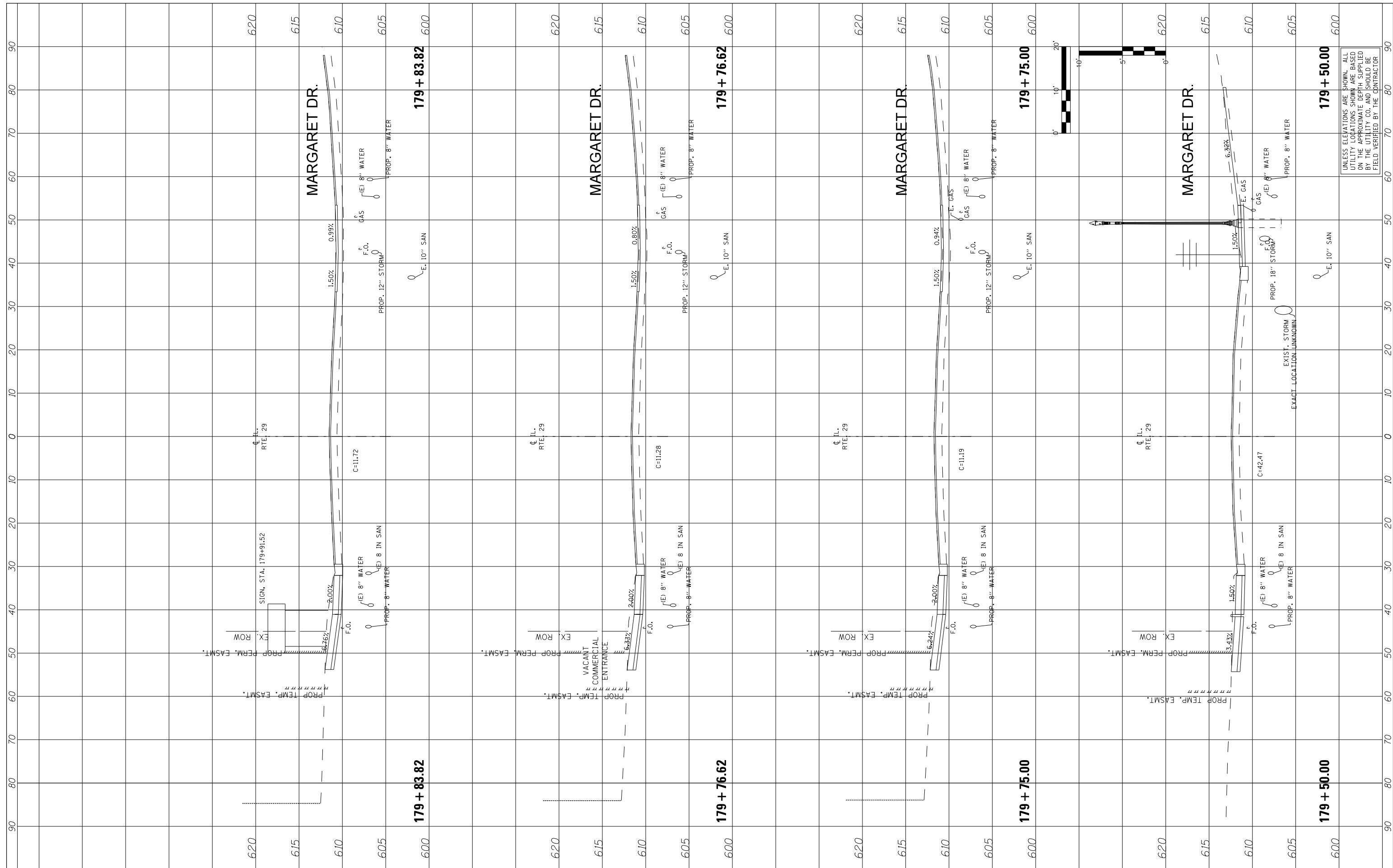
CROSS SECTIONS

SCALE: SHEET OF SHEETS STA. 178+50.00 TO STA. 179+25.00

F.A.P. RTE. 669	SECTION 16-00045-01-SW	COUNTY TAZEWELL	TOTAL SHEETS 155	SHEET NO. 153
ILLINOIS FED. AID PROJECT 05E2(22)			CONTRACT NO. 89713	

FINAL SURVEY NO.	SURVEYED PLOTTED TEMPLATE AREAS CHECKED	BY	DATE

ORIGINAL SURVEY NO.	SURVEYED PLOTTED TEMPLATE AREAS CHECKED	BY	DATE



UNLESS ELEVATIONS ARE SHOWN, ALL UTILITY LOCATIONS SHOWN ARE BASED ON THE APPROXIMATE DEPTH SUPPLIED BY THE UTILITY CO. AND SHOULD BE FIELD VERIFIED BY THE CONTRACTOR

USER NAME = 100T	DESIGNED - KMC	REVISED -
	DRAWN - KRS DLC	REVISED -
PLOT SCALE = 20.0000' / in.	CHECKED - RDC	REVISED -
PLOT DATE = 1/22/2019	DATE -	REVISED -

STATE OF ILLINOIS
DEPARTMENT OF TRANSPORTATION

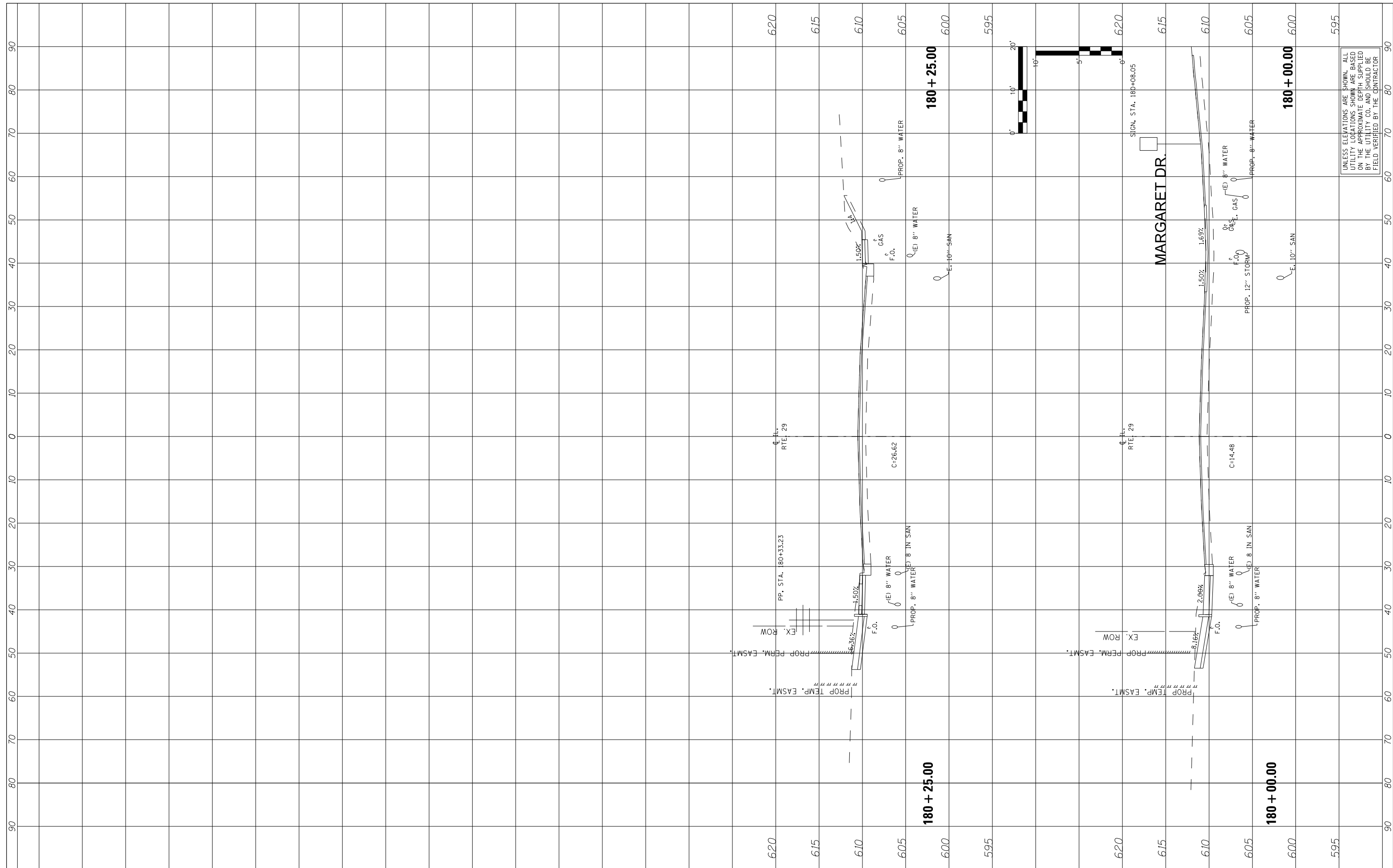
CROSS SECTIONS

SCALE: SHEET OF SHEETS STA. 179+50.00 TO STA. 179+83.82

F.A.P. RTE. 669	SECTION 16-00045-01-SW	COUNTY TAZEWELL	TOTAL SHEETS 155	SHEET NO. 154
			CONTRACT NO. 89713	
ILLINOIS FED. AID PROJECT 05E2(122)				

FINAL SURVEY NO.	SURVEY PLOTTED	BY	DATE
	TEMPLATE AREAS CHECKED		
	NOTE BOOK AREAS CHECKED		

ORIGINAL SURVEY NO.	SURVEY PLOTTED	BY	DATE
	TEMPLATE AREAS CHECKED		
	NOTE BOOK AREAS CHECKED		



UNLESS ELEVATIONS ARE SHOWN, ALL UTILITY LOCATIONS SHOWN ARE BASED ON THE APPROXIMATE DEPTH SUPPLIED BY THE UTILITY CO. AND SHOULD BE FIELD VERIFIED BY THE CONTRACTOR

USER NAME = 100T	DESIGNED - KMC	REVISED -
	DRAWN - KRS DLC	REVISED -
PLOT SCALE = 20.0000' / in.	CHECKED - RDC	REVISED -
PLOT DATE = 1/22/2019	DATE -	REVISED -

STATE OF ILLINOIS
DEPARTMENT OF TRANSPORTATION

CROSS SECTIONS

SCALE: SHEET OF SHEETS STA. 180+00.00 TO STA. 180+50.00

F.A.P. RTE. 669	SECTION 16-00045-01-SW	COUNTY TAZEWELL	TOTAL SHEETS 155	SHEET NO. 155
			CONTRACT NO. 89713	
		ILLINOIS FED. AID PROJECT 05E2(22)		