

STATE OF ILLINOIS

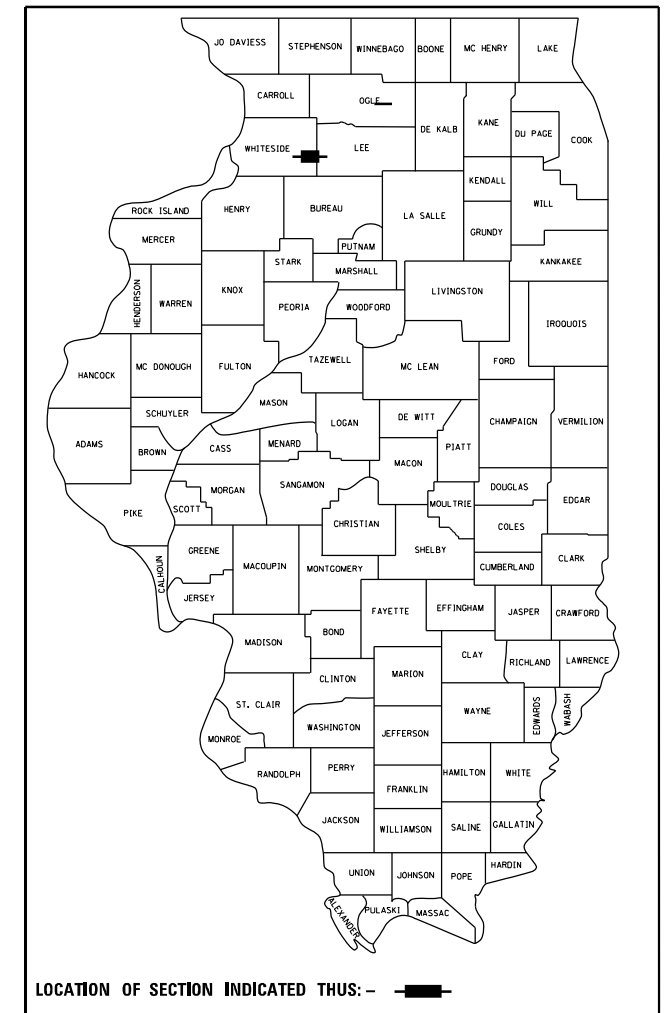
DEPARTMENT OF TRANSPORTATION

PROPOSED HIGHWAY PLANS

| F.A.I. RTE. | SECTION | COUNTY | TOTAL SHEETS | SHEET NO. |
|-------------|--------------------------|-----------|--------------------|-----------|
| FAI 88 | (195-3HB-3 & 195-3HB2)BR | WHITESIDE | 8* | 1 |
| | | ILLINOIS | CONTRACT NO. 64S63 | |

* 8 + 1 = 9 TOTAL SHEETS

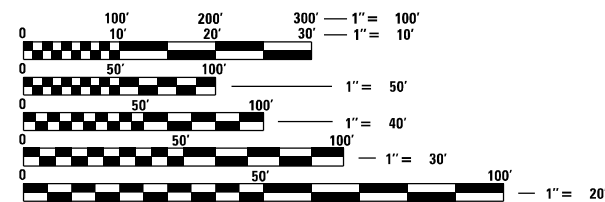
D-92-016-24



SEE SHEET 2 FOR INDEX OF SHEETS

FAI Route 88 (I-88)
SECTION (195-3HB-3 & 195-3HB2)BR
PROJECT
BRIDGE REHABILITATION
WHITESIDE COUNTY, IL

C-92-130-23



FULL SIZE PLANS HAVE BEEN PREPARED USING STANDARD ENGINEERING SCALES. REDUCED SIZE PLANS WILL NOT CONFORM TO STANDARD SCALES. IN MAKING MEASUREMENTS ON REDUCED PLANS, THE ABOVE SCALES MAY BE USED.

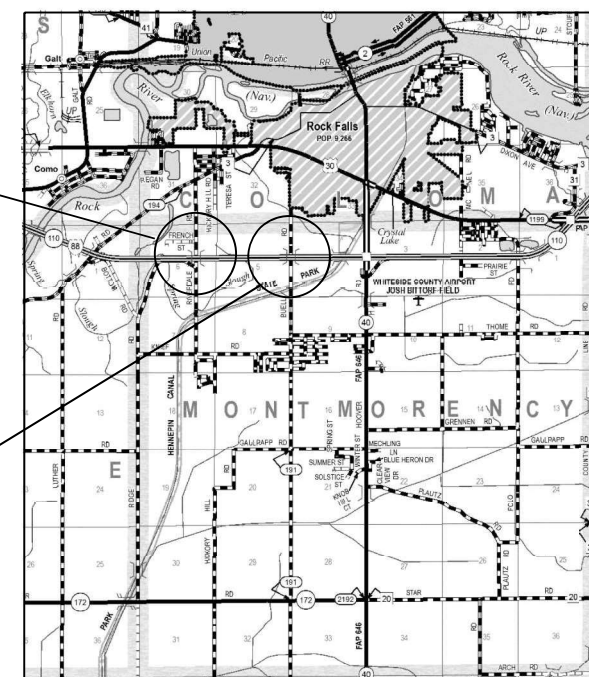
J.U.L.I.E.
JOINT UTILITY LOCATION INFORMATION FOR EXCAVATION
1-800-892-0123
OR 811

PROJECT ENGINEER SCOTT WYATT, PE, SE
PROJECT MANAGER MAHMOUD ETEMADI, PE

CONTRACT NO. 64S63

EXISTING STRUCTURE
SN 098-0082 A TWO SPAN
STEEL GIRDER SUPERSTRUCTURE
WITH CLOSED ABUTMENTS
BACK TO BACK LENGTH = 218'-2"
OUT TO OUT WIDTH = 31'-1"

EXISTING STRUCTURE
SN 098-0083 A TWO SPAN
STEEL GIRDER SUPERSTRUCTURE
WITH CLOSED ABUTMENTS
BACK TO BACK LENGTH = 218'-2"
OUT TO OUT WIDTH = 37'-1"



LOCATION MAP

GROSS LENGTH = 436.2 FT. = 0.08 MILE
NET LENGTH = 436.2 FT. = 0.08 MILE

STATE OF ILLINOIS
DEPARTMENT OF TRANSPORTATION

SUBMITTED December 11, 20 23
Thomas Arnold
REGIONAL ENGINEER

February 2, 2024
Scott A. Etkin
ENGINEER OF DESIGN AND ENVIRONMENT

February 2, 2024
Stephen M. Smith
DIRECTOR OF HIGHWAYS PROJECT IMPLEMENTATION

**PRINTED BY THE AUTHORITY
OF THE STATE OF ILLINOIS**

INDEX OF SHEETS

1. COVER SHEET
2. INDEX OF SHEETS, HIGHWAY STANDARDS AND GENERAL NOTES
3. SUMMARY OF QUANTITIES
4. PLAN AND ELEVATION SN 098-0082
5. PAVEMENT RESURFACING 098-0082
6. PLAN AND ELEVATION SN 098-0083
7. PAVEMENT RESURFACING 098-0083
8. ABUTMENT REPAIRS 098-0083
9. 40.1 D2 TRAFFIC CONTROL FOR ROAD CLOSURE

STATE/DISTRICT HIGHWAY STANDARDS

- 000000-08 STANDARDS SYMBOLS, ABBREVIATIONS AND PATTERNS
 001006 DECIMALS OF AN INCH AND OF A FOOT
 701001-02 OFF-ROAD OPERATIONS, 2L, 2W, MORE THAN 15' (4.5m) TO 24" (600 mm) AWAY FROM PAVEMENT EDGE
 701006-05 OFF-ROAD OPERATIONS, 2L, 2W, 15' (4.5m) TO 24" (600 mm) FROM PAVEMENT EDGE
 701011-04 OFF-RD MOVING OPERATIONS, 2L, 2W, DAY ONLY
 701301-04 LANE CLOSURE, 2L, 2W, SHORT TIME OPERATIONS
 701400-12 APPROACH TO LANE CLOSURE, FREEWAY/EXPRESSWAY
 701406-13 LANE CLOSURE, FREEWAY/EXPRESSWAY, DAY OPERATIONS ONLY
 701901-09 TRAFFIC CONTROL DEVICES

GENERAL NOTES

THE STRUCTURE NUMBERS SHALL REMAIN 098-0082 AND 098-0083
 DO NOT SCALE PLANS FOR CONSTRUCTION DIMENSIONS
 BUELL ROAD AND RIVERDALE ROAD WILL BE CLOSED DURING CONSTRUCTION
 THE CONTRACTOR SHALL CONTACT THE IDOT DISTRICT 2 ENGINEER AT (815)284-2271 A MINIMUM OF 72 HOURS IN ADVANCE OF BEGINNING WORK.
 IDOT IS NOT A MEMBER OF JULIE. IF YOU ARE NEAR ANY OVERHEAD LIGHTING, INTERSECTION LIGHTING OR TRAFFIC SIGNALS, CONTACT THE IDOT TRAFFIC OFFICE AT 815/284-5469 AT LEAST 48 HOURS PRIOR TO WORK.

MODEL: Default
 FILE NAME: \\kpf.com\dis\B\6\6e\2300695 (WO 8)\02_Designr (MS)\e4563-02 - Index1.dgn

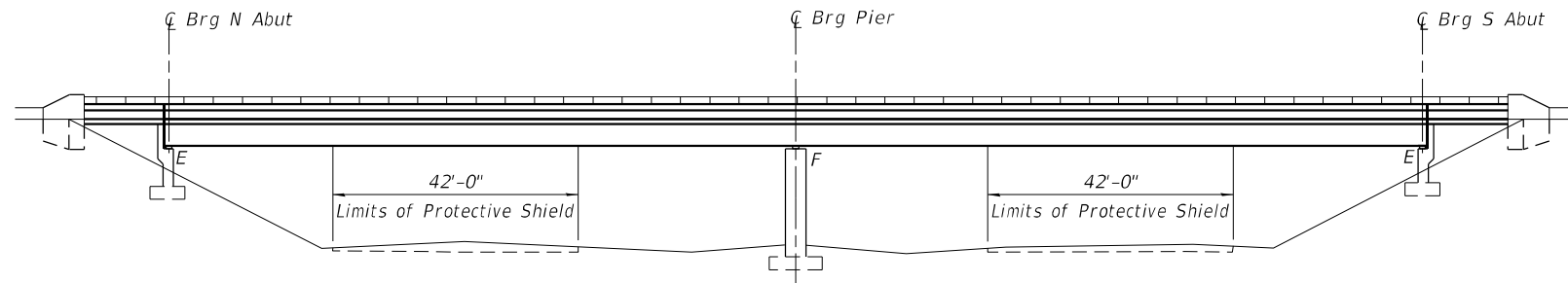


| | | |
|--------------|------------|-----------|
| USER NAME = | DESIGNED - | REVISED - |
| | CHECKED - | REVISED - |
| PLOT SCALE = | DRAWN - | REVISED - |
| PLOT DATE = | CHECKED - | REVISED - |

STATE OF ILLINOIS
 DEPARTMENT OF TRANSPORTATION

SN 098-0082 RIVERDALE RD. AND SN 098-0083 BUELL RD. OVER I-88
 INDEX OF SHEETS, HIGHWAY STANDARDS AND GENERAL NOTES

| F.A.I. RTE. | SECTION | COUNTY | TOTAL SHEETS | SHEET NO. |
|---------------------------|--------------------------|--------------------|--------------|-----------|
| 88 | (195-3HB-3 & 195-3HB2)BR | WHITESIDE | 9 | 2 |
| SN 098-0082 & 0083 | | CONTRACT NO. 64S63 | | |
| ILLINOIS FED. AID PROJECT | | | | |



ELEVATION

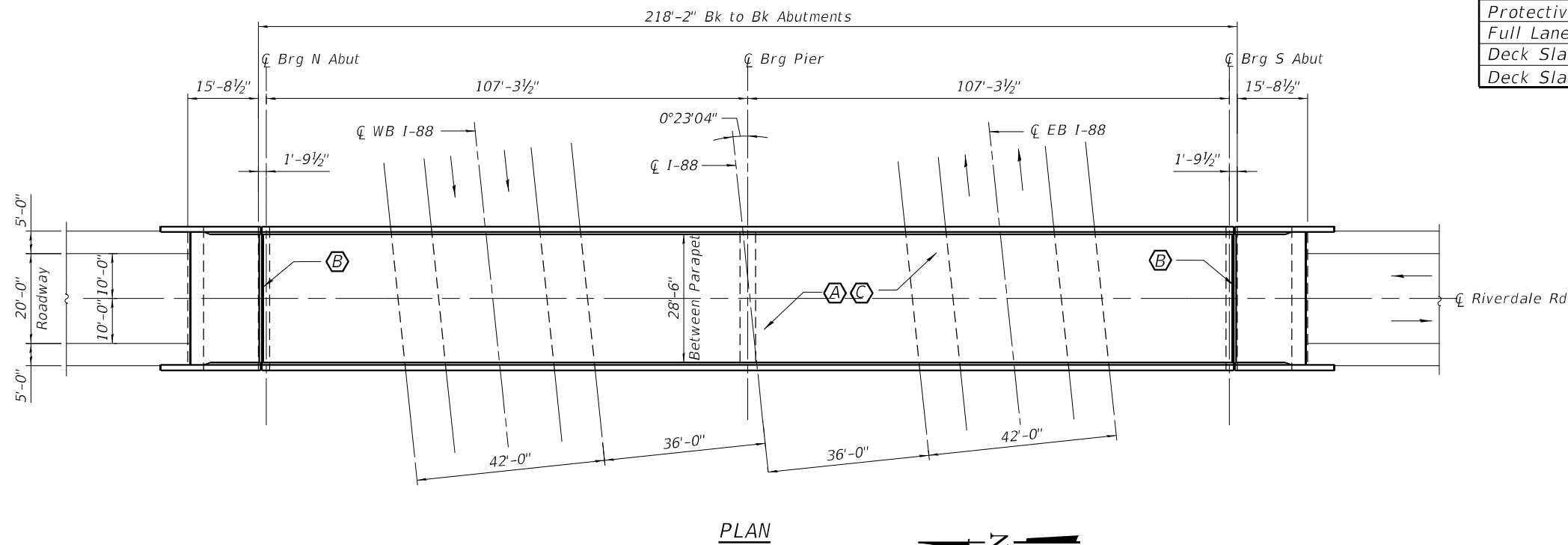
SCOPE OF WORK

- Ⓐ Remove and Replace Wearing Surface, Apply Full Lane Sealant Waterproofing System
- Ⓑ Replace Preformed Joint Strip Seal
- Ⓒ Bridge Deck Repairs

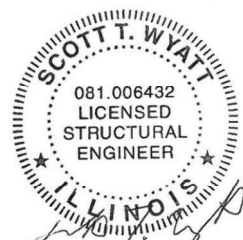
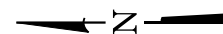
TOTAL BILL OF MATERIAL

(SN 098-0082)

| ITEM | UNIT | TOTAL |
|----------------------------------------|---------|-------|
| Preformed Joint Seal 4" | Foot | 64 |
| Protective Shield | Sq. Yd. | 298 |
| Full Lane Sealant Waterproofing System | Sq. Yd. | 785 |
| Deck Slab Repair (Partial) | Sq. Yd. | 62 |
| Deck Slab Repair (Full Depth Type I) | Sq. Yd. | 15 |



PLAN



1-22-24
Exp. 11-30-24

SN 098-0082

GENERAL NOTES

Plan dimensions and details relative to the existing plans are subject to nominal construction variations. The Contractor shall field verify existing dimensions and details affecting new construction and make necessary approved adjustments prior to construction or ordering materials. Such variations shall not be cause for additional compensation for a change in scope of the work, however, the Contractor will be paid for the quantity actually furnished at the unit price bid for the work.

Riverdale Road will be closed during construction.

The Contractor shall contact IDOT District 2 Engineer at 815-284-2271 a minimum of 72 hours before beginning work.

MODEL: Default.kpff.com\dis\Bridges\2300695 (WO 8)102_Design (MS)18456344 - 0082 Plan and Elev.dgn

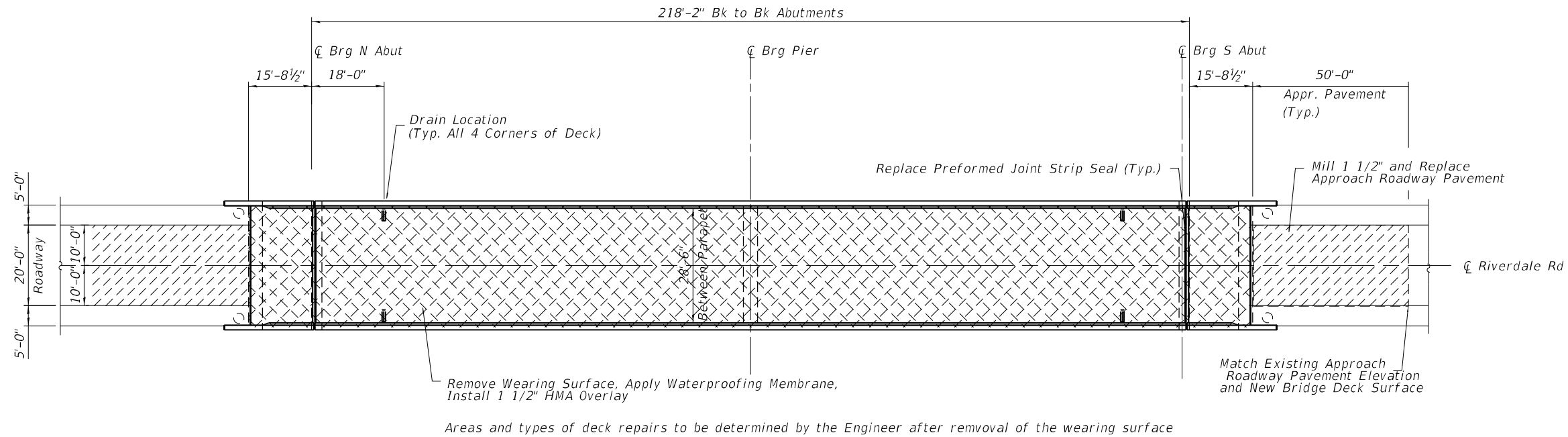
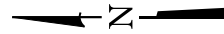


| | | |
|--------------|------------|-----------|
| USER NAME = | DESIGNED - | REVISED - |
| PLOT SCALE = | CHECKED - | REVISED - |
| PLOT DATE = | DRAWN - | REVISED - |
| | CHECKED - | REVISED - |

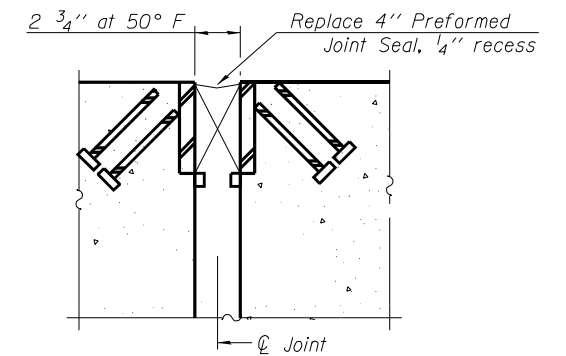
STATE OF ILLINOIS
DEPARTMENT OF TRANSPORTATION

SN 098-0082 RIVERDALE RD. AND SN 098-0083 BUELL RD. OVER I-88
PLAN AND ELEVATION

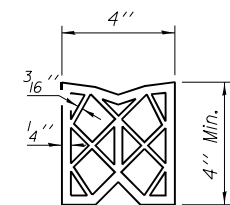
| F.A.I. RTE. | SECTION | COUNTY | TOTAL SHEETS | SHEET NO. |
|---------------------------|--------------------------|-----------|--------------------|-----------|
| 88 | (195-3HB-3 & 195-3HB2)BR | WHITESIDE | 9 | 4 |
| SN 098-0082 & 0083 | | | CONTRACT NO. 64S63 | |
| ILLINOIS FED. AID PROJECT | | | | |



PLAN



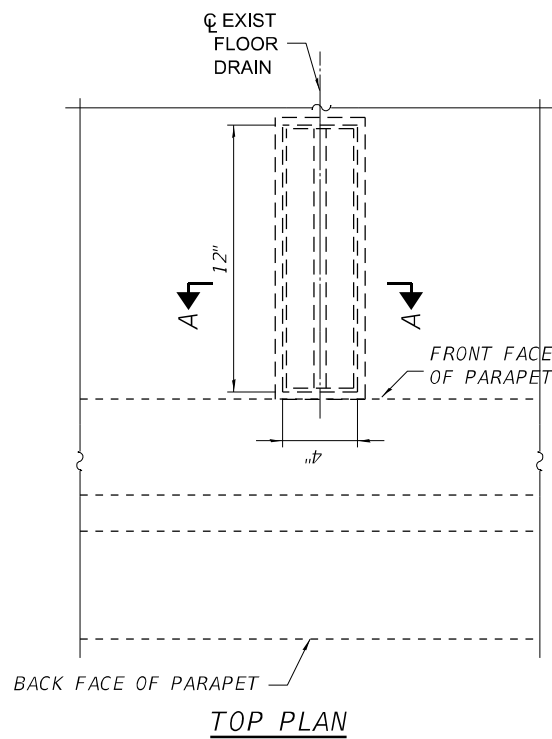
EXISTING JOINT



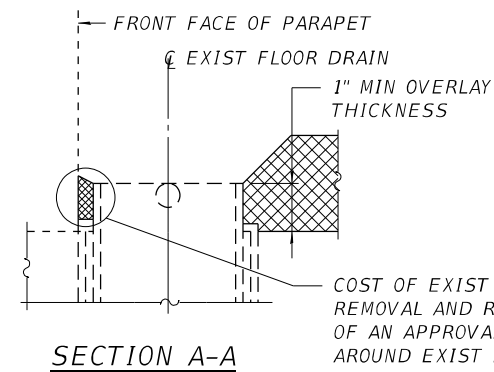
PREFORMED JOINT SEAL

HMA

| | |
|----------------------------------------------|-----------------|
| Location(s): | Surface |
| Mixture Use(s): | Surface |
| Binder Grade (AC/PG): | PG 58-28 |
| Design Air Voids: | 4.0 @ Ndes=50 |
| Mixture Composition: (Mixture Gradation): | IL 9.5 |
| Friction Aggregate: | Mixture "D" |
| Mixture Weight: | 112 LB/SQ YD/IN |
| Quality Management Program: | QC/QA |
| Sublot Size: | N/A |



TOP PLAN



SECTION A-A

COST OF EXIST JOINT SEAL REMOVAL AND REPLACEMENT OF AN APPROVAL JOINT SEAL AROUND EXIST FLOOR DRAINS SHALL BE INCLUDED IN THE COST OF "HOT-MIX ASPHALT SURFACE COURSE, IL 9.5 MIX "D" , N50

TREATMENT AT FLOOR DRAINS

MODEL: Default
FILE NAME: \\kpff.com\dfs\Bridges\2300695 (WO 8)102_Design (MS)164563-05 - 0082 Wearing Surface.dgn
12/5/2023 8:50:40 AM

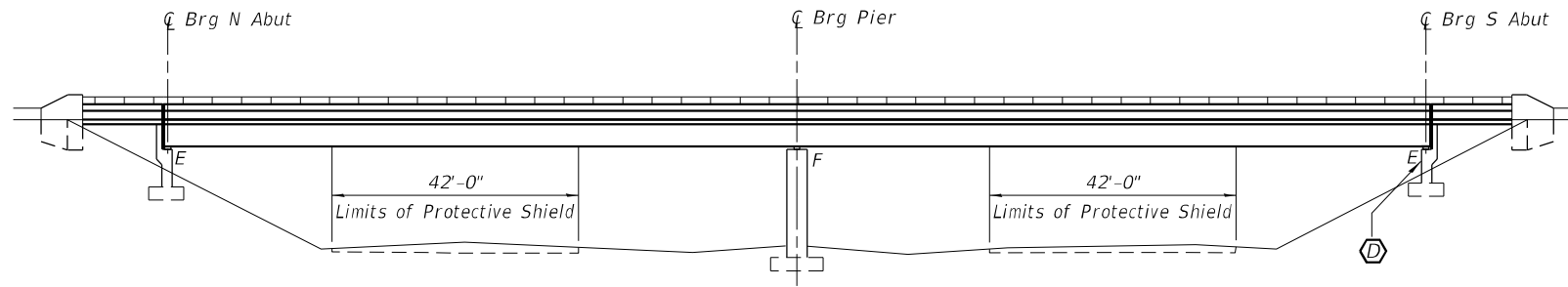


| | | |
|--------------|------------|-----------|
| USER NAME = | DESIGNED - | REVISED - |
| PLOT SCALE = | CHECKED - | REVISED - |
| PLOT DATE = | DRAWN - | REVISED - |
| | CHECKED - | REVISED - |

STATE OF ILLINOIS
DEPARTMENT OF TRANSPORTATION

SN 098-0082 RIVERDALE RD. AND SN 098-0083 BUELL RD. OVER I-88
WEARING SURFACE REPLACEMENT

| | | | | |
|---------------------------|--------------------------|--------------------|-----------------|--------------|
| F.A.I RTE. | SECTION | COUNTY | TOTAL SHEETS | SHEET NO. |
| 88 | (195-3HB-3 & 195-3HB2)BR | WHITESIDE | 8 | 5 |
| SN 098-0082 & 0083 | | CONTRACT NO. 64S63 | | |
| ILLINOIS FED. AID PROJECT | | | | |



ELEVATION

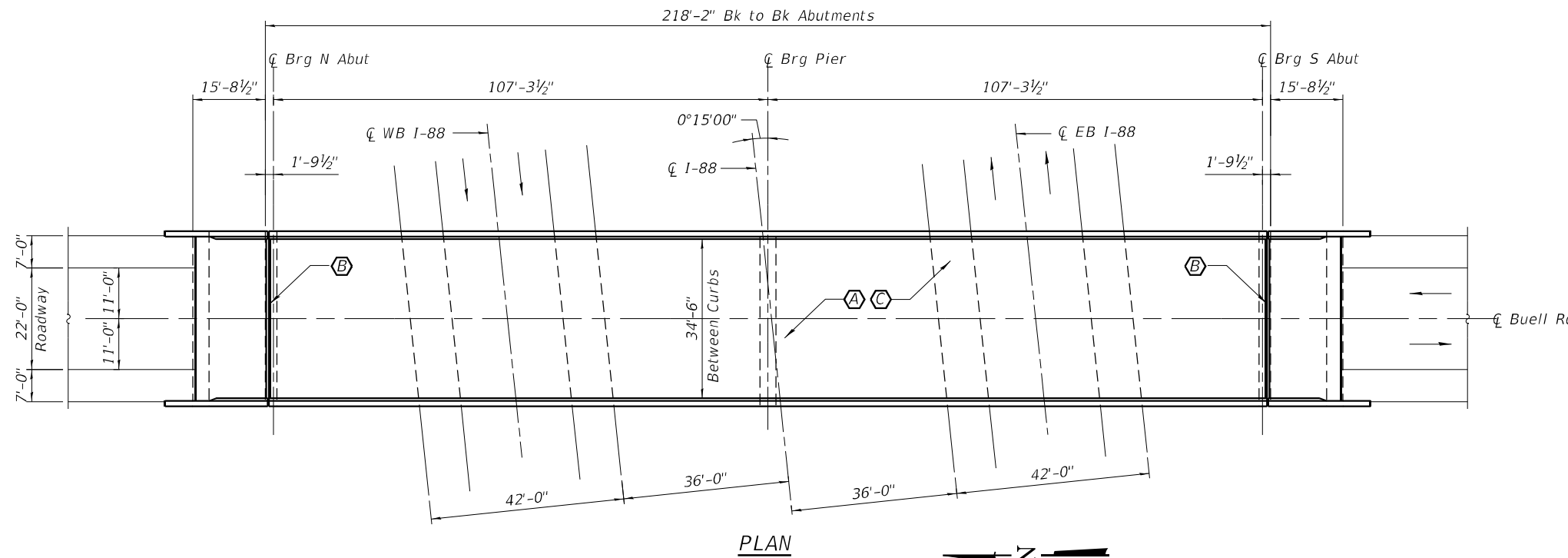
SCOPE OF WORK

- (A) Remove and Replace Wearing Surface, Apply Full Lane Sealant Waterproofing System
- (B) Replace Preformed Joint Strip Seal
- (C) Bridge Deck Repairs
- (D) Abutment Repairs

TOTAL BILL OF MATERIAL

(SN 098-0083)

| ITEM | UNIT | TOTAL |
|----------------------------------------|---------|-------|
| Preformed Joint Seal 4" | Foot | 76 |
| Structural Repair of Concrete <=5" | Sq. Ft. | 200 |
| Deck Slab Repair (Partial) | Sq. Yd. | 75 |
| Deck Slab Repair (Full Depth Type I) | Sq. Yd. | 18 |
| Protective Shield | Sq. Yd. | 355 |
| Full Lane Sealant Waterproofing System | Sq. Yd. | 951 |



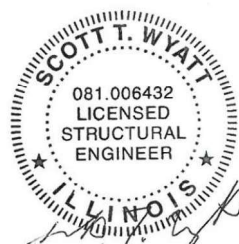
PLAN

GENERAL NOTES

Plan dimensions and details relative to the existing plans are subject to nominal construction variations. The Contractor shall field verify existing dimensions and details affecting new construction and make necessary approved adjustments prior to construction or ordering materials. Such variations shall not be cause for additional compensation for a change in scope of the work, however, the Contractor will be paid for the quantity actually furnished at the unit price bid for the work.

Buell Road will be closed during construction.

The Contractor shall contact IDOT District 2 Engineer at 815-284-2271 a minimum of 72 hours before beginning work.



1-22-24
Exp. 11-30-24

SN-098-0083

MODEL: Default.kpff.com\dis\Bridges\2300695 (WO 8)102_Design (MS)164563406 - 098-0083 Plan & Elev.dgn

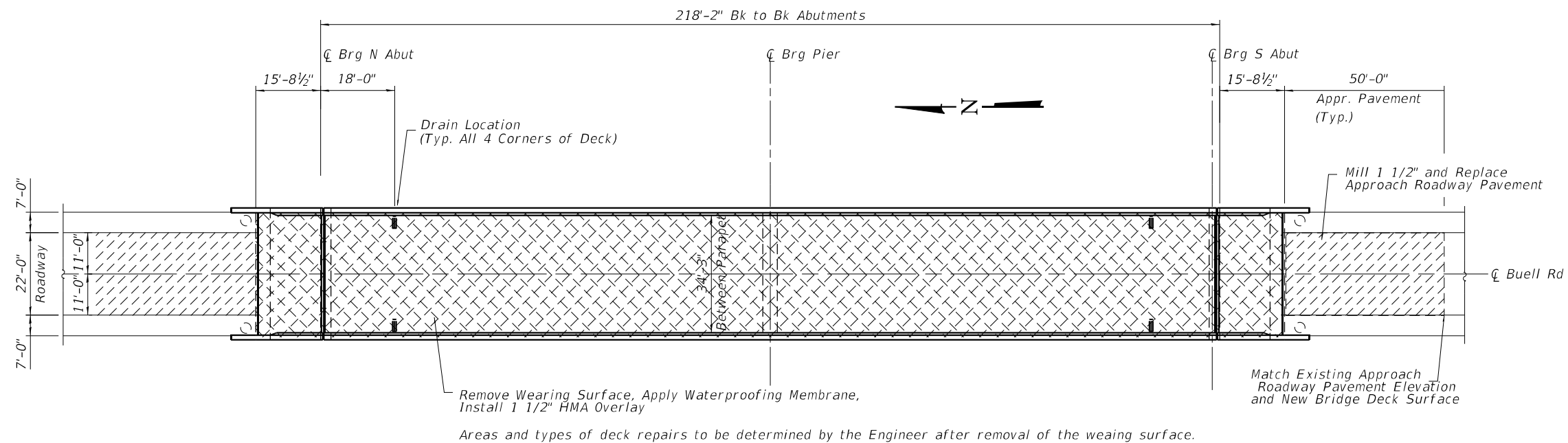


| | | |
|--------------|------------|-----------|
| USER NAME = | DESIGNED - | REVISED - |
| PLOT SCALE = | CHECKED - | REVISED - |
| PLOT DATE = | DRAWN - | REVISED - |
| | CHECKED - | REVISED - |

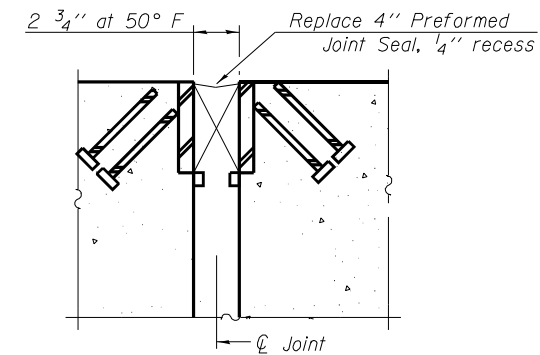
STATE OF ILLINOIS
DEPARTMENT OF TRANSPORTATION

SN 098-0082 RIVERDALE RD. & SN 098-0083 BUELL RD. OVER I-88
PLAN AND ELEVATION

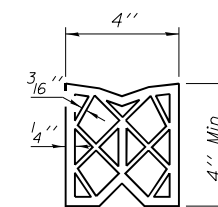
| F.A.I. RTE. | SECTION | COUNTY | TOTAL SHEETS | SHEET NO. |
|---------------------------|-------------------------|-----------|--------------|-----------|
| 88 | (195-3HB-3 & 1953HB2)BR | WHITESIDE | 9 | 6 |
| SN 098-0082 & 0083 | | | 64563 | |
| ILLINOIS FED. AID PROJECT | | | | |



PLAN



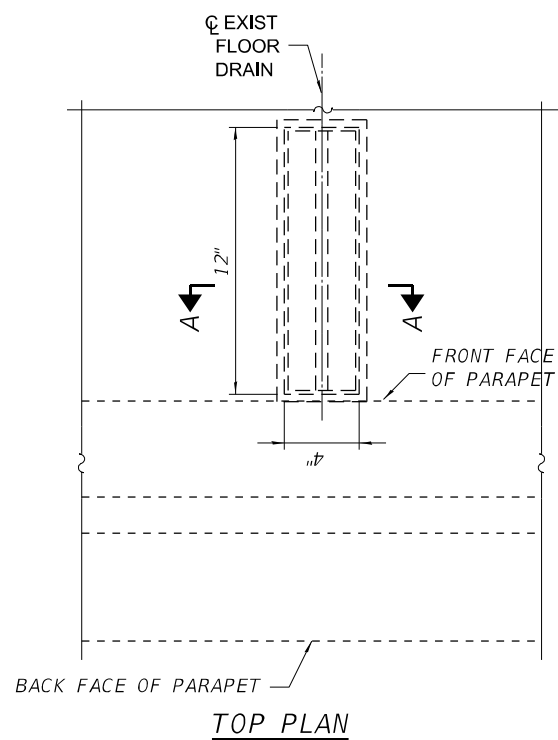
EXISTING JOINT



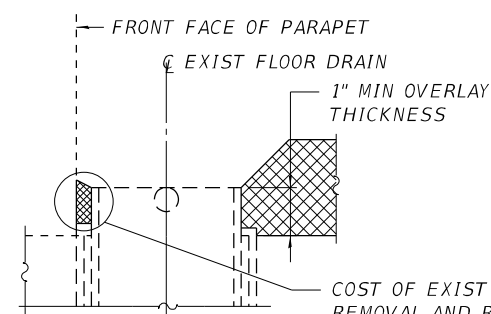
PREFORMED JOINT SEAL

HMA

| | |
|----------------------------------------------|-----------------|
| Location(s): | Surface |
| Mixture Use(s): | Surface |
| Binder Grade (AC/PG): | PG 58-28 |
| Design Air Voids: | 4.0 @ Ndes=50 |
| Mixture Composition: (Mixture Gradation): | IL 9.5 |
| Friction Aggregate: | Mixture "D" |
| Mixture Weight: | 112 LB/SQ YD/IN |
| Quality Management Program: | QC/QA |
| Sublot Size: | N/A |



TOP PLAN



SECTION A-A

COST OF EXIST JOINT SEAL REMOVAL AND REPLACEMENT OF AN APPROVAL JOINT SEAL AROUND EXIST FLOOR DRAINS SHALL BE INCLUDED IN THE COST OF "HOT-MIX ASPHALT SURFACE COURSE, IL 9.5 MIX "D" , N50

TREATMENT AT FLOOR DRAINS

MODEL: Default
FILE NAME: \\kpf.com\dfs\Bridges\2300695 (WO 8102_Design (MS))\4563-07 - 0083 Wearing Surface.dgn
12/5/2023 8:51:43 AM

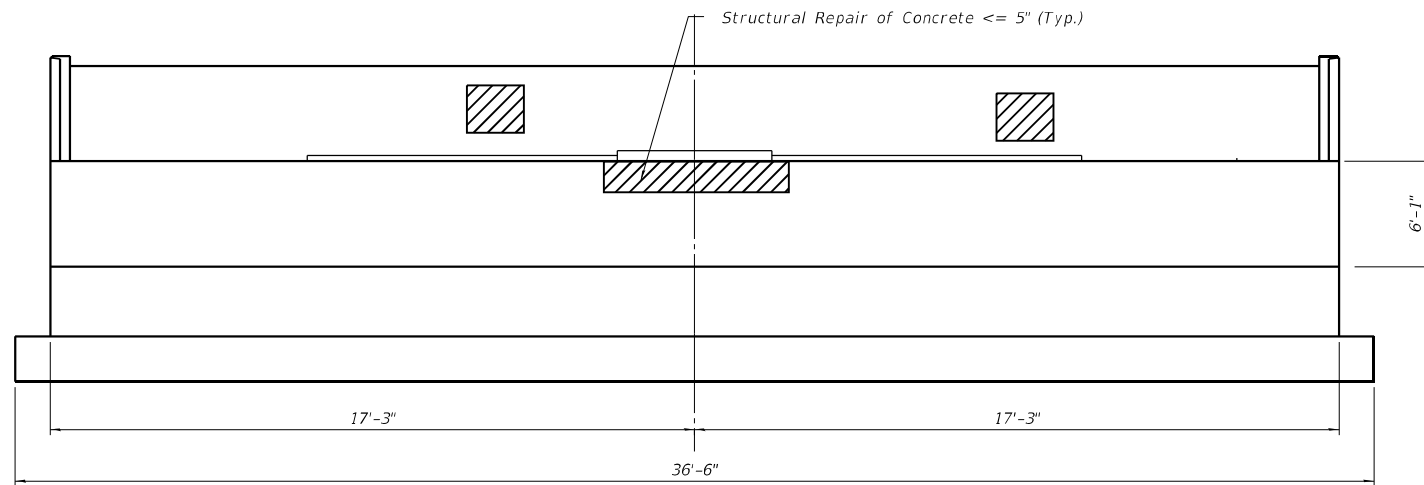


| | | |
|--------------|------------|-----------|
| USER NAME = | DESIGNED - | REVISED - |
| PLOT SCALE = | CHECKED - | REVISED - |
| PLOT DATE = | DRAWN - | REVISED - |
| | CHECKED - | REVISED - |

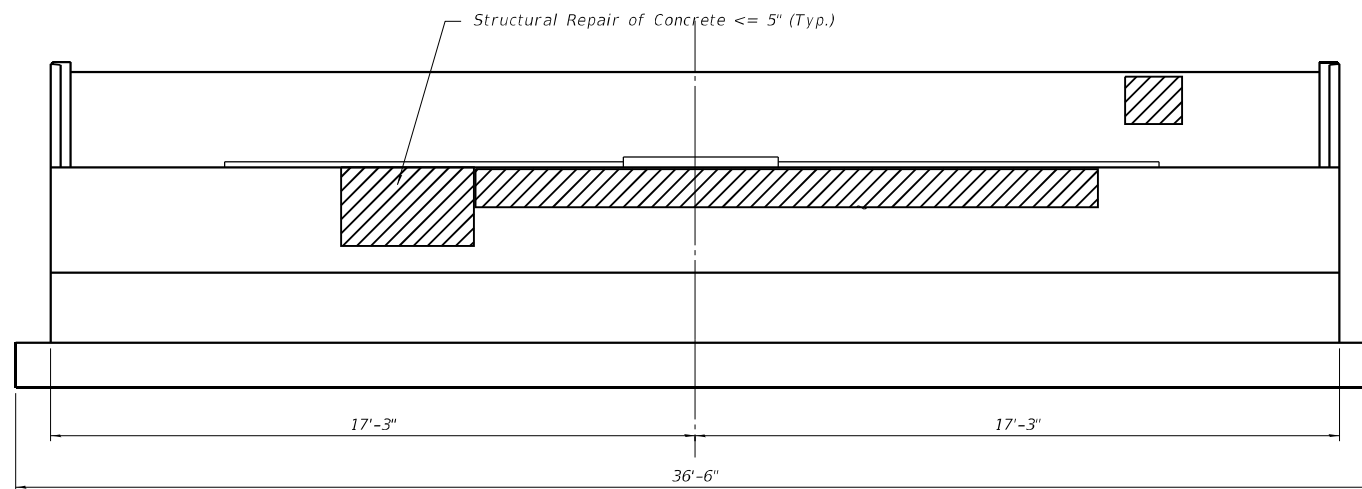
STATE OF ILLINOIS
DEPARTMENT OF TRANSPORTATION

SN 098-0082 RIVERDALE RD. AND SN 098-0083 BUELL RD. OVER I-88
WEARING SURFACE REPLACEMENT

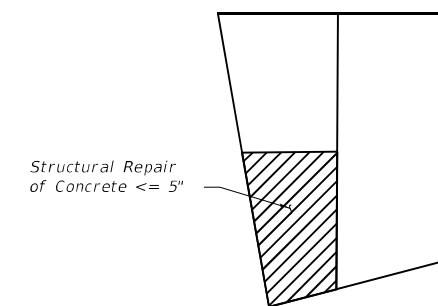
| | | | | |
|---------------------------|--------------------------|--------------------|-----------------|--------------|
| F.A.I RTE. | SECTION | COUNTY | TOTAL SHEETS | SHEET NO. |
| 88 | (195-3HB-3 & 195-3HB2)BR | WHITESIDE | 8 | 7 |
| SN 098-0082 & 0083 | | CONTRACT NO. 64S63 | | |
| ILLINOIS FED. AID PROJECT | | | | |



NORTH ABUTMENT SN 098-0083



SOUTH ABUTMENT SN 098-0083



EAST WINGWALL, NORTH ABUT SN 098-0083

MODEL: Default
 FILE NAME: \\kpff.com\dfs\Bridges\2300695 (WO 8)\02_Design (MS)\e4563-08 - Abutment Repairs.dgn



1500 Sherman Ave. Suite 1020
 Evanston, IL 60201
 847-859-7790
 www.kpff.com

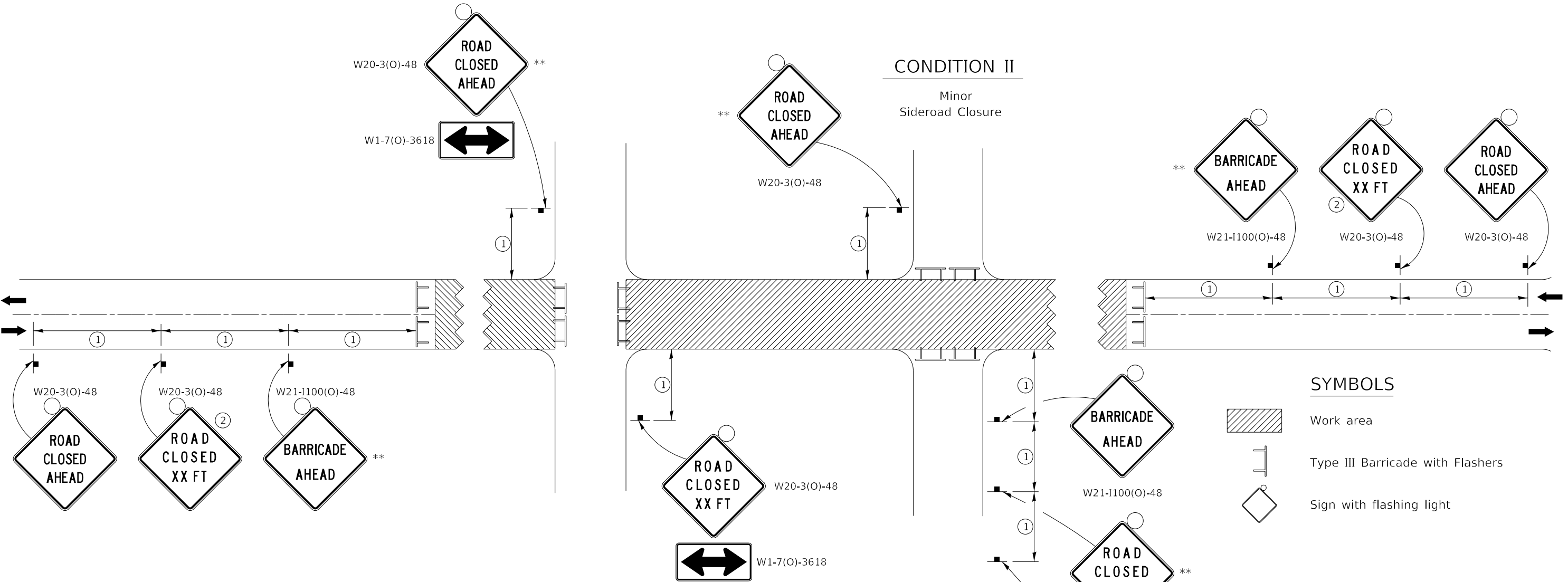
| | | |
|--------------|------------|-----------|
| USER NAME = | DESIGNED - | REVISED - |
| PLOT SCALE = | CHECKED - | REVISED - |
| PLOT DATE = | DRAWN - | REVISED - |
| | CHECKED - | REVISED - |

STATE OF ILLINOIS
 DEPARTMENT OF TRANSPORTATION

SN 098-0082 RIVERDALE RD. AND SN 098-0083 BUELL RD. OVER I-88
 ABUTMENT REPAIRS

| F.A.I. RTE. | SECTION | COUNTY | TOTAL SHEETS | SHEET NO. |
|---------------------------|--------------------------|-----------|--------------------|-----------|
| 88 | (195-3HB-3 & 195-3HB2)BR | WHITESIDE | 8 | 8 |
| SN 098-0082 & 0083 | | | CONTRACT NO. 64S63 | |
| ILLINOIS FED. AID PROJECT | | | | |

TRAFFIC CONTROL FOR ROAD CLOSURE



SYMBOLS

- Work area
- Type III Barricade with Flashers
- Sign with flashing light

① **SIGN SPACING TABLE**

| Posted Speed | Sign Spacing |
|------------------|--------------|
| 45 MPH and above | 500' |
| Below 45 MPH | 250' |

② **SIGN LEGEND**

| Posted Speed Limit | Distance |
|--------------------|----------|
| 45 MPH and above | 1000' |
| Below 45 MPH | 500' |

GENERAL NOTES

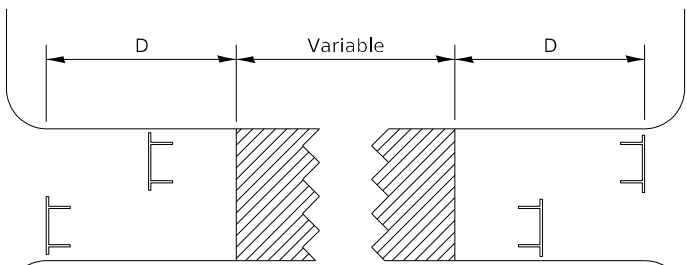
Longitudinal dimensions may be adjusted to fit field conditions.

Side roads requiring all three signs as shown in CONDITION I (Major Sideroad Closure), shall be listed in the special provision.

** Where local access is to be maintained, barricades are to be set up as shown in "Road Closed to Thru Traffic". Type III Barricades and R11-2-4830 signs shall be as shown in "Road Closed To All Traffic" detail on Highway Standard 701901.

All dimensions are in inches unless otherwise shown.

ROAD CLOSED TO THRU TRAFFIC BARRICADE SET UP



Type III Barricades and R11-4-4830 signs shall be as shown in "Road Closed To Thru Traffic" detail on Highway Standard 701901. If the distance "D" exceeds 2000' an additional set of barricades and R11-4-4830 shall be placed at each end of the work area.

TYPICAL APPLICATION FOR ROAD CLOSURE