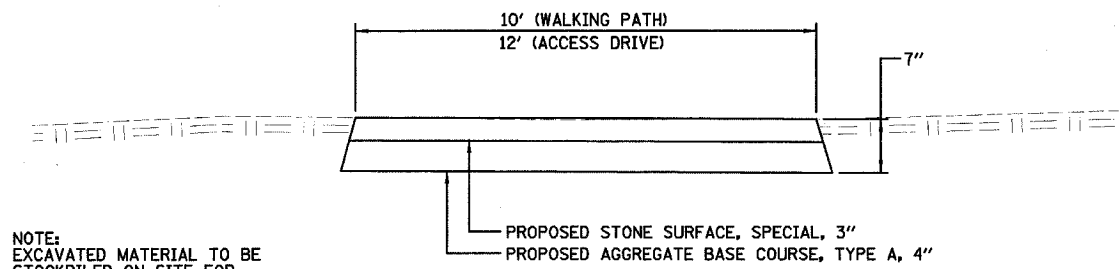
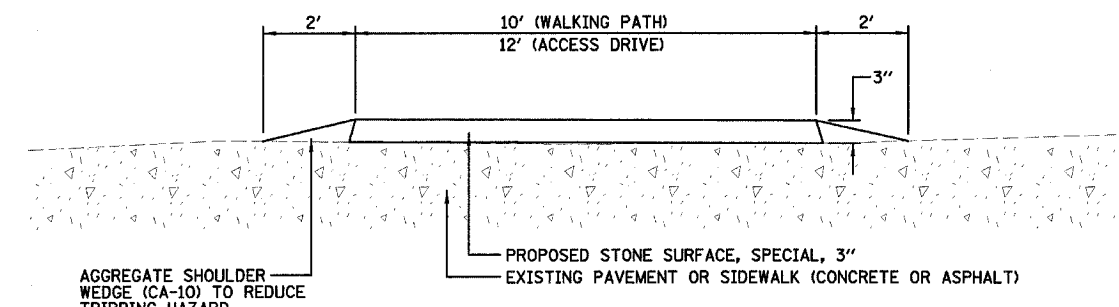


F.A. RTE.	SECTION	COUNTY	TOTAL SHEETS	SHEET NO.
		COOK	17	2
STA.		TO STA.		
FED. ROAD DIST. NO.	ILLINOIS	FED. AID PROJECT		
CONTRACT NO. 44917				

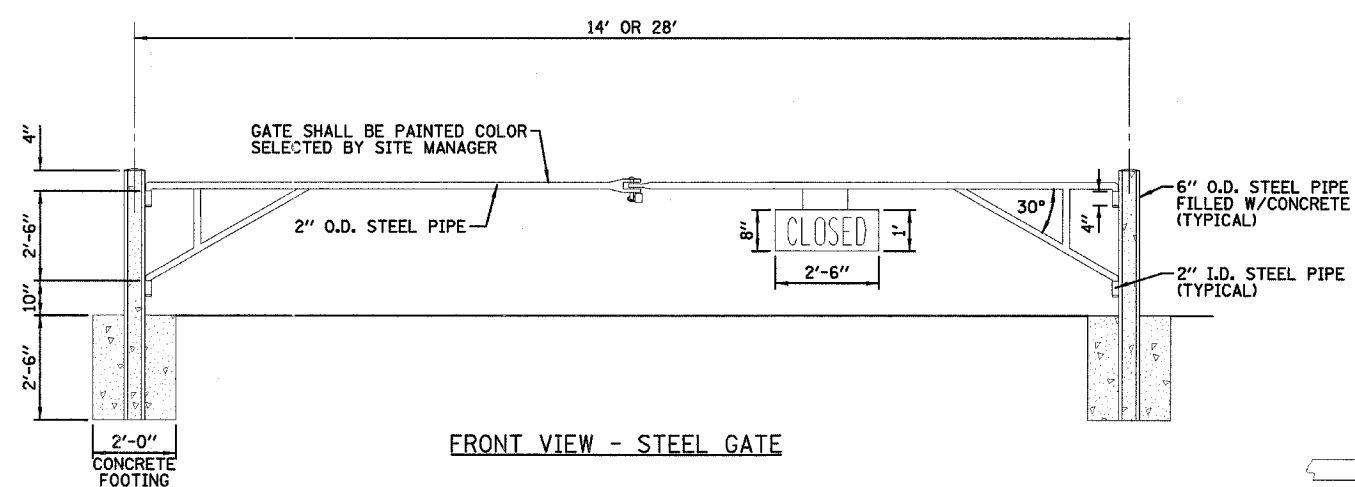


NOTE:
EXCAVATED MATERIAL TO BE STOCKPILED ON SITE FOR FUTURE INSPECTION. DO NOT EXCAVATE MORE THAN 7" BELOW GROUND DUE TO ILLINOIS HISTORIC PRESERVATION AGENCY REQUIREMENTS.

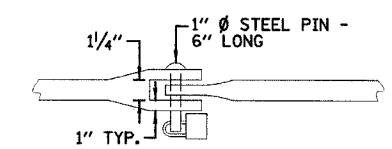
PROPOSED TYPICAL SECTION
PROPOSED STONE PATHWAY (ON SOIL)



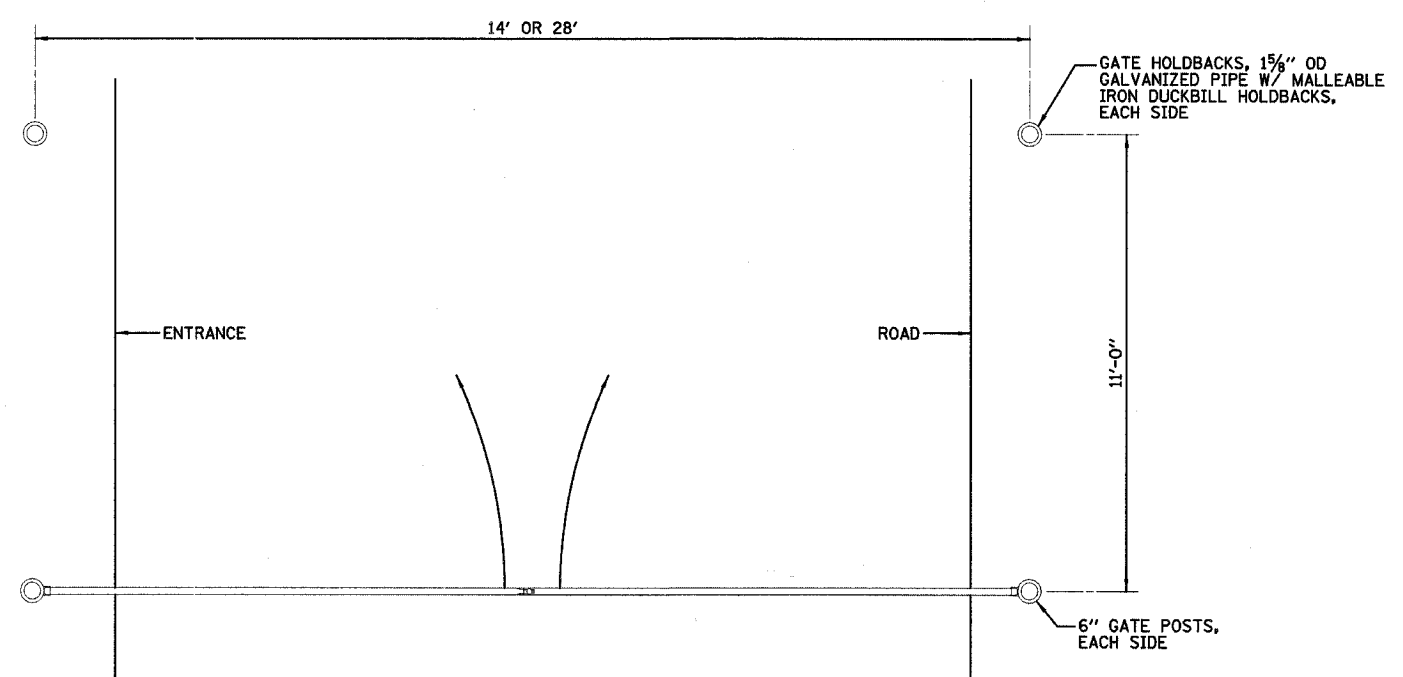
PROPOSED TYPICAL SECTION
PROPOSED STONE PATHWAY (ON RIGID SURFACE)



FRONT VIEW - STEEL GATE



CATCH DETAIL
NO SCALE



TOP VIEW - STEEL GATE

METAL GATE
NO SCALE

REVISIONS	
NAME	DATE

ILLINOIS DEPARTMENT OF TRANSPORTATION
TYPICAL SECTIONS, GATE DETAILS
AND LEGEND
IDOT / IHPA
PULLMAN STATE HISTORIC SITE

SCALE: VERT. _____
HORIZ. _____
DATE: 11/08/05

DRAWN BY: DJM
CHECKED BY: PJM