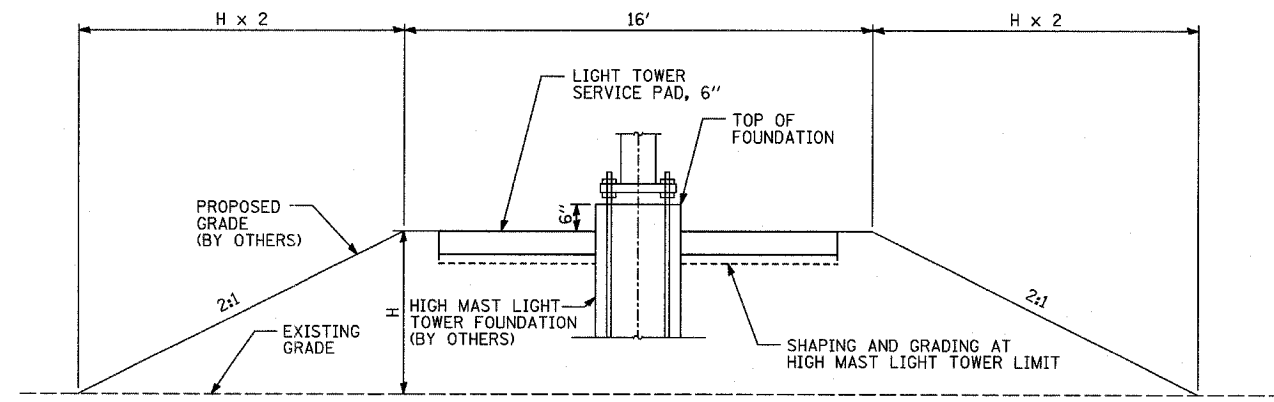
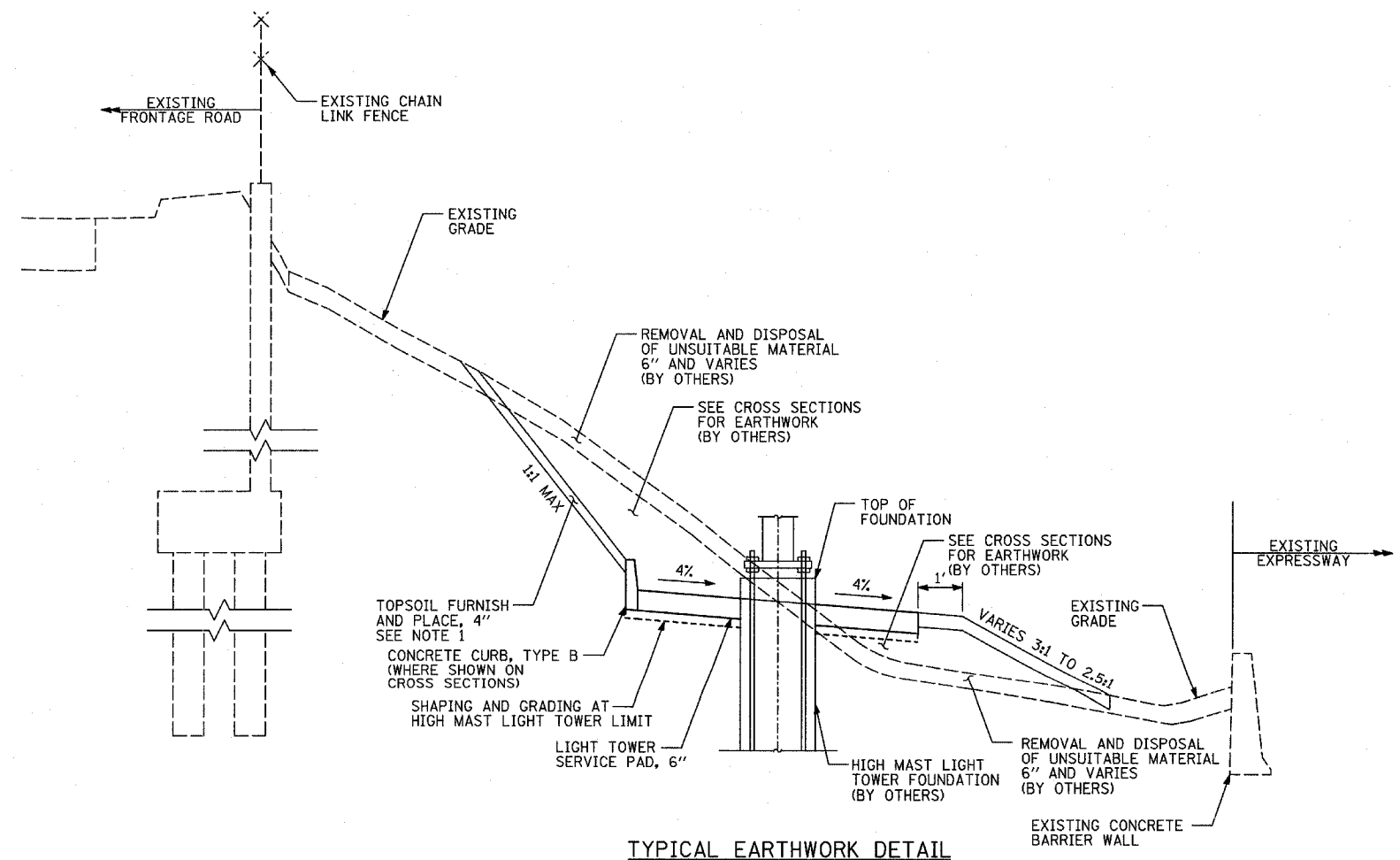


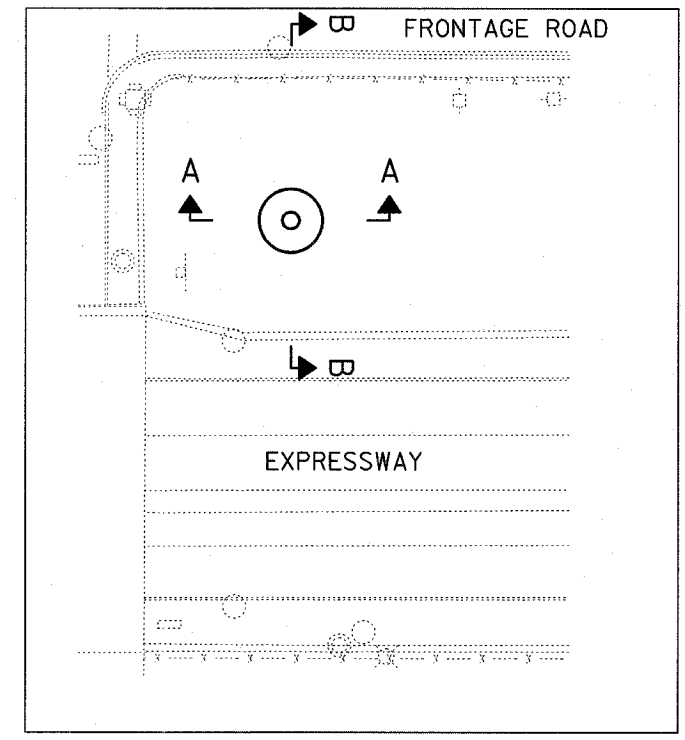
**CUT GRADING DETAIL
SECTION A-A**



**FILL GRADING DETAIL
SECTION A-A**



**TYPICAL EARTHWORK DETAIL
SECTION B-B**



TYPICAL PLAN

NOTES:

1. TOPSOIL PLACEMENT IS NOT SHOWN ON THE PLANS, HOWEVER, A QUANTITY OF 4" TOPSOIL HAS BEEN PROVIDED AT EACH HMLT SERVICE PAD LOCATION TO ALLOW RESTORATION OF THE SITE TO PREVIOUS CONDITIONS AS LEFT BY CONTRACTS 62583, 62593 & 62304. THE QUANTITY IS BASED ON A 15' WIDE BAND MEASURED FROM THE OUTER LIMITS OF THE PAD. TOPSOIL PLACEMENT SHALL ONLY BE COMPLETED WHEN APPROVED BY THE ENGINEER.
2. COMPOST PLACEMENT IS NOT SHOWN ON THE PLANS, HOWEVER, A QUANTITY OF 6" COMPOST HAS BEEN PROVIDED AT HMLT 6MMN4, 60IJ4, 60IJ1, 60KL1, 60KL2, 6PAB4, 5PIJ3, 5PIJ2, 60EF2, & 60MN4 TO ALLOW RESTORATION OF SITE TO PREVIOUS CONDITIONS AS LEFT BY CONTRACTS 62583, 62593 & 62304. THE QUANTITY WAS CALCULATED USING THE SAME METHOD AS IN NOTE 1. COMPOST PLACEMENT SHALL ONLY BE COMPLETED WHEN APPROVED BY THE ENGINEER.

REVISIONS	
NAME	DATE

ILLINOIS DEPARTMENT OF TRANSPORTATION
F.A.I. 94 (DAN RYAN EXPRESSWAY)
I-57 to 71st STREET
**HIGH MAST LIGHT TOWER SERVICE
PAD GRADING DETAIL**

SCALE: 1"=20'
DATE: JANUARY 9, 2007
DRAWN BY: RTM
CHECKED BY: TGB