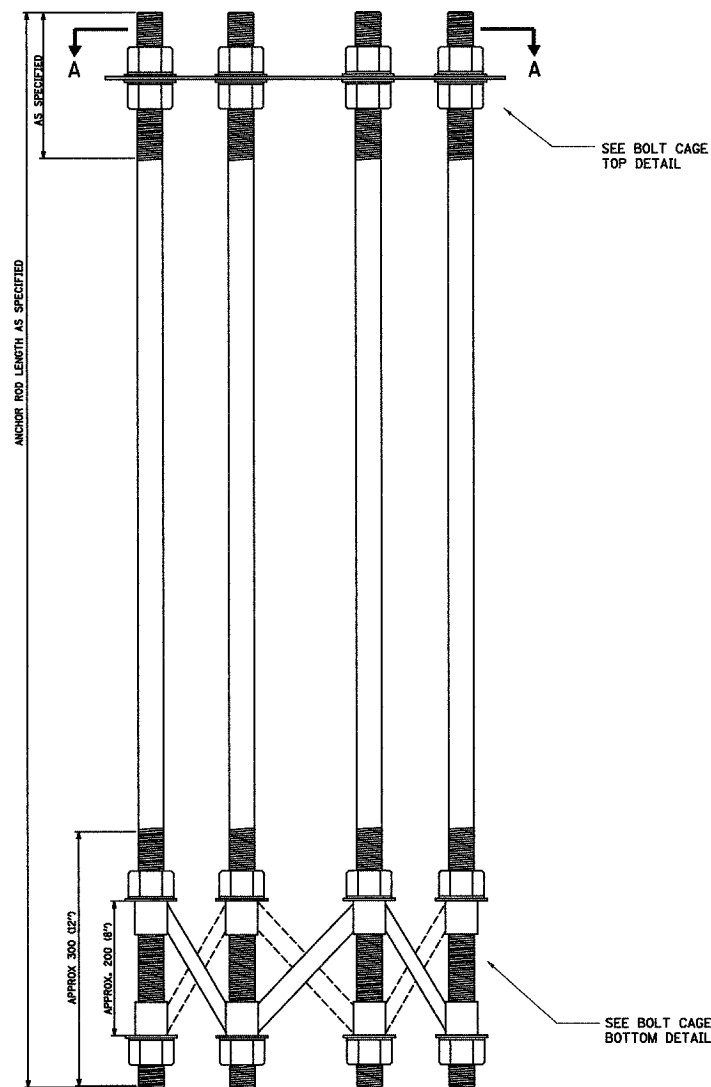


F.A. RTE.	SECTION	COUNTY	TOTAL SHEETS	SHEET NO.
			85	64
STA.		TO STA.		
FED. ROAD DIST. NO.	ILLINOIS	FED. AID PROJECT		

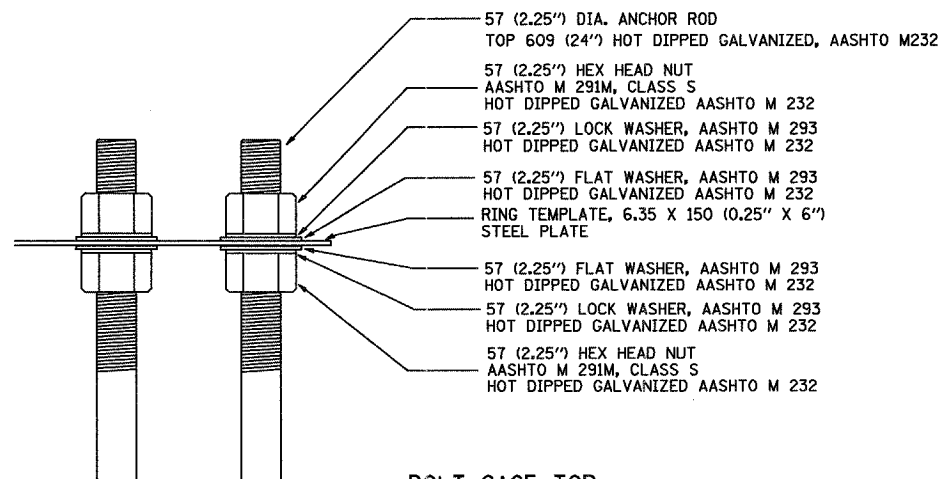
60A23

NOTES

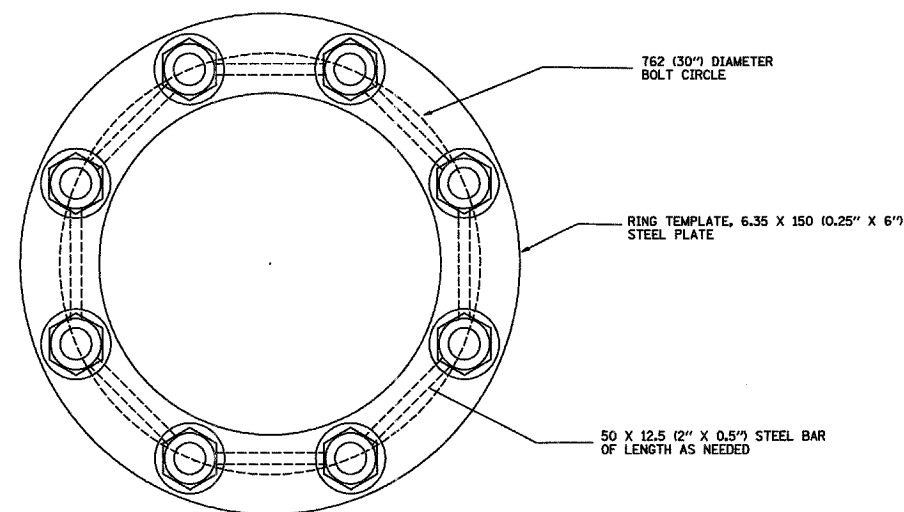
1. ALL DIMENSIONS IN MILLIMETERS (INCHES) UNLESS OTHERWISE SHOWN
2. ANCHOR RODS SHALL BE STRAIGHT AND SHALL BE ACCORDING TO AASHTO M 314 OR ASTM F1554, GRADE 725 (GRADE 105) AND GALVANIZED ACCORDING TO ARTICLE 1006.09.
3. ANCHOR ROD INFORMATION SHALL BE SUBMITTED FOR APPROVAL AND SHALL BE FULLY COORDINATED WITH TOWER MANUFACTURERS REQUIREMENTS.



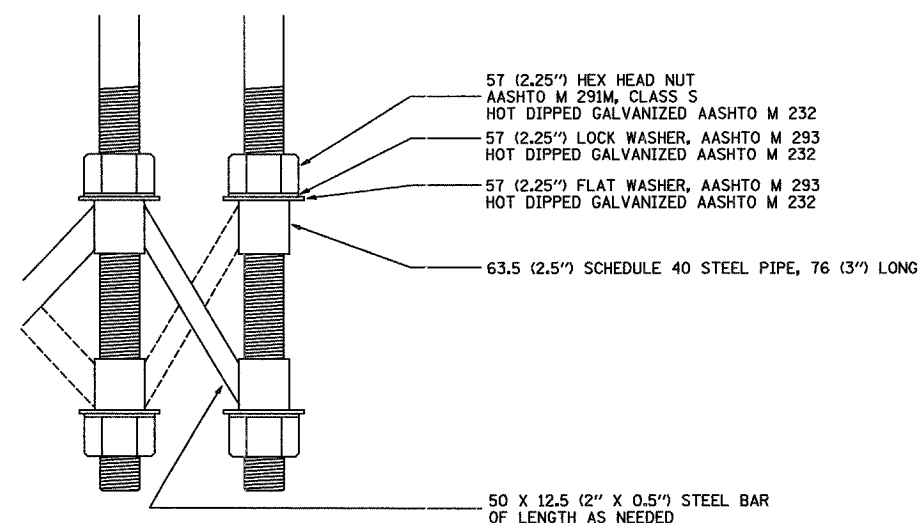
ANCHOR BOLT CAGE



BOLT CAGE TOP



SECTION A-A



BOLT CAGE BOTTOM

REVISIONS	
NAME	DATE

ILLINOIS DEPARTMENT OF TRANSPORTATION
 HIGH MAST LIGHT TOWER
 27m TO 36m (90FT TO 120FT)
 FOUNDATION DETAIL
 SHEET 2 OF 2

SCALE: VERT.
 HORIZ.
 DATE: 2/15/2006

DRAWN BY
 CHECKED BY

BE08 (BE501)

REVISION DATE: 04/12/05