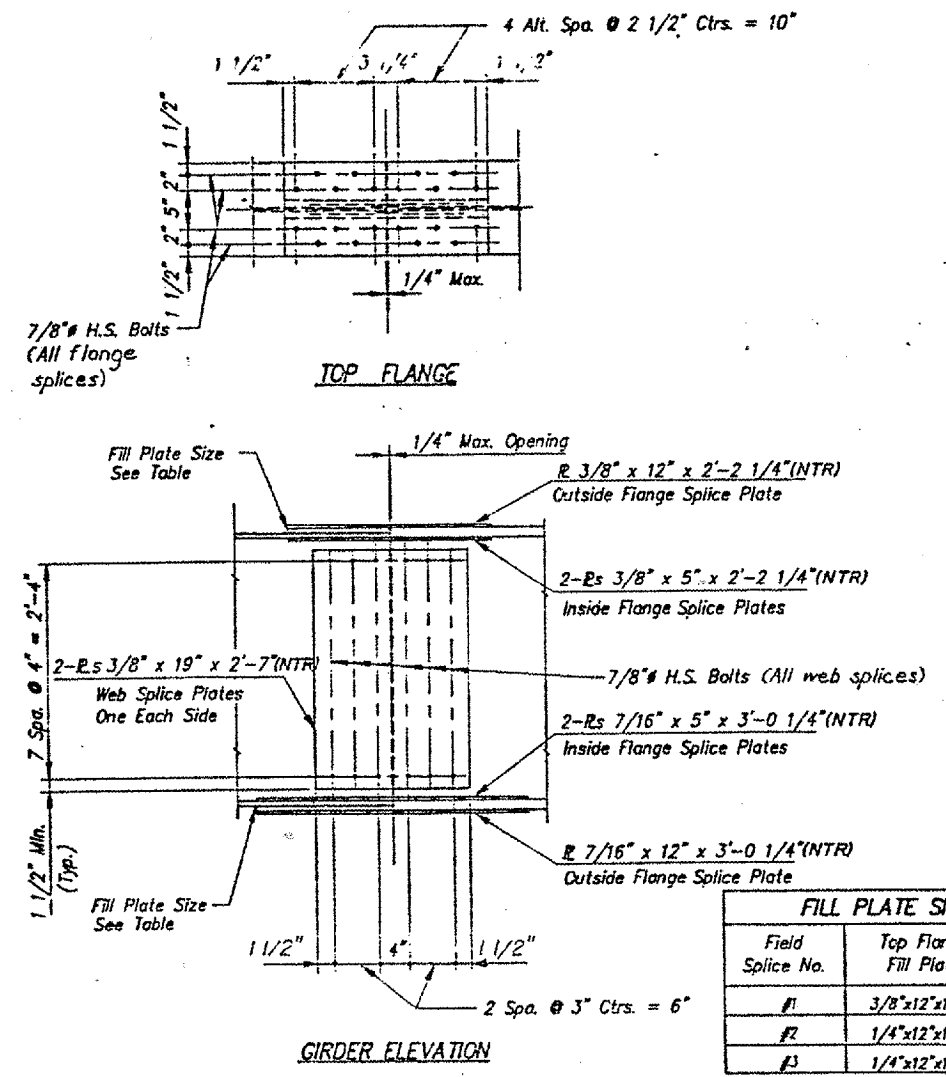
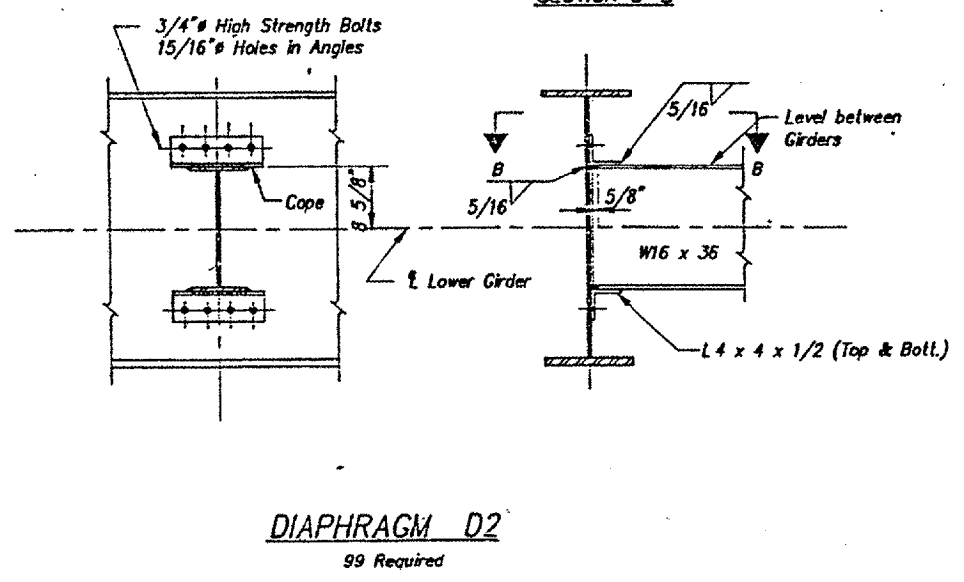
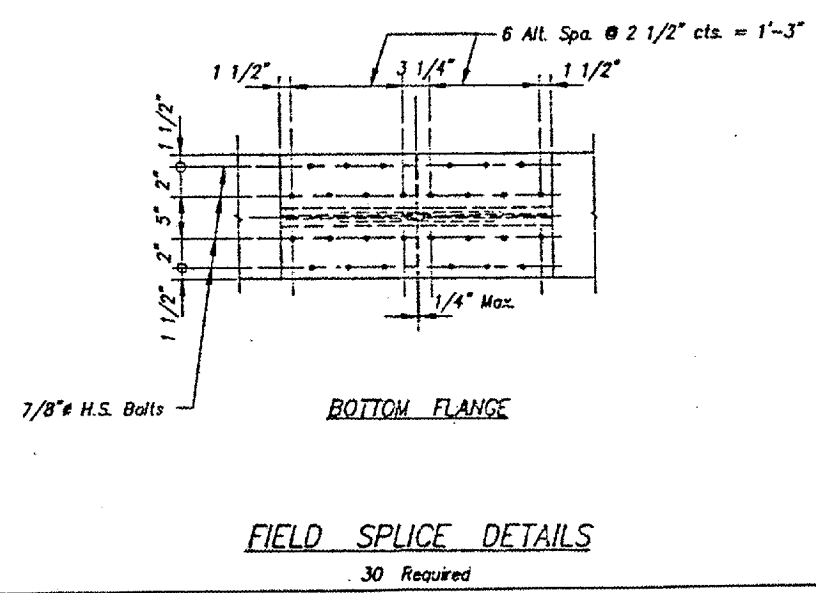
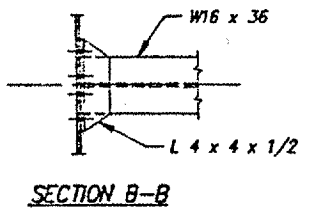
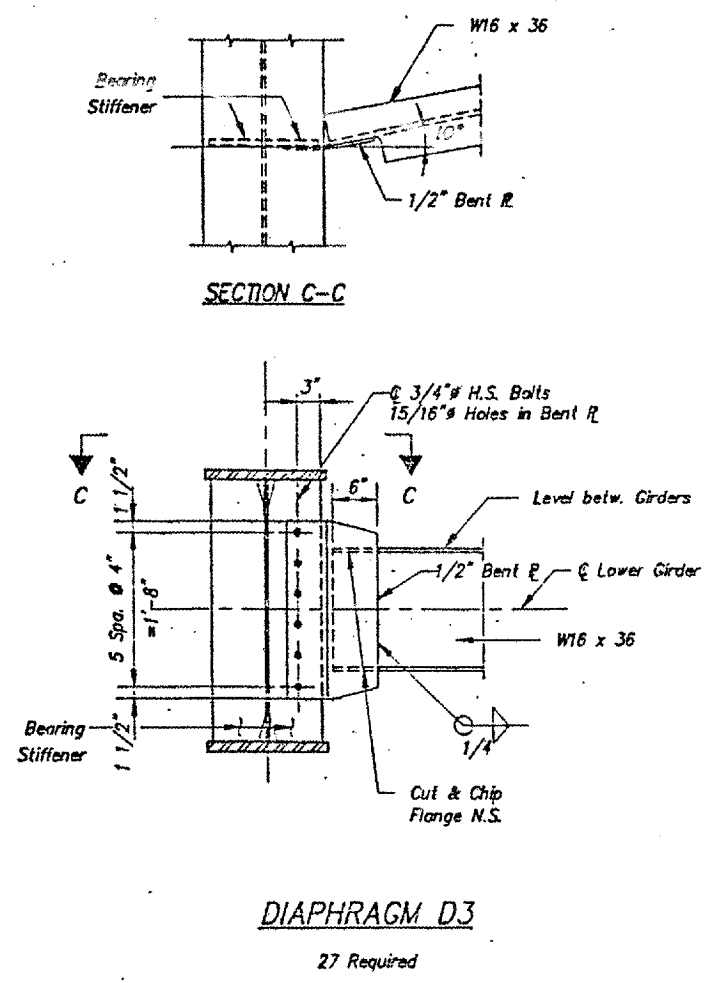
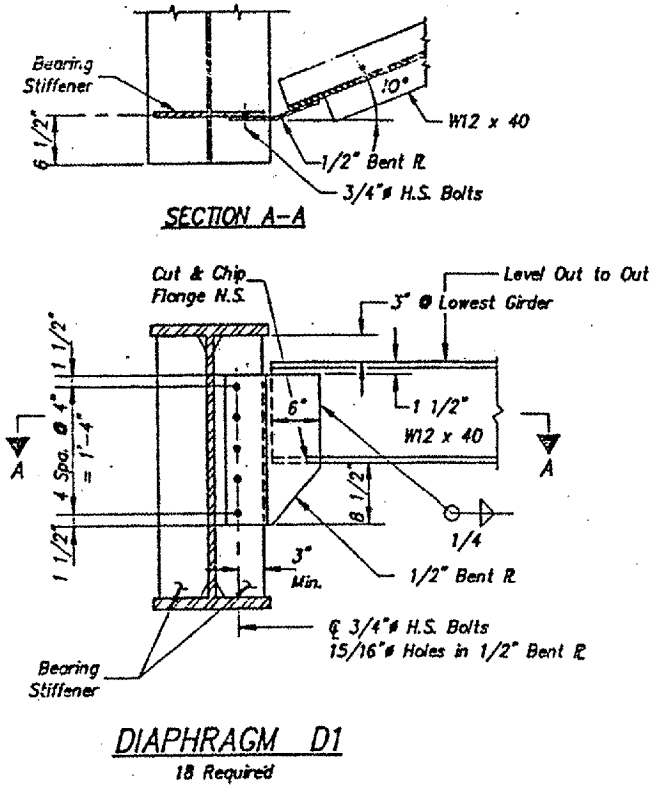


ROUTE	SECTION	COUNTY	TOTAL SHEETS	SHEET NUMBER
VARIOUS	2006-018 BP	VARIOUS	27	20

CONTRACT NO.: 60B43



Field Splice No.	Top Flange Fill Plate	Bottom Flange Fill Plate
#1	3/8"x12"x1'-1"	1/2"x12"x1'-6"
#2	1/4"x12"x1'-1"	11/16"x12"x1'-5"
#3	1/4"x12"x1'-1"	9/16"x12"x1'-5"



**LOCATION NO. 5**  
**EXIST. BRIDGE PLANS**  
**US 14 OVER FOX RIVER**  
**SN: 056-0058**