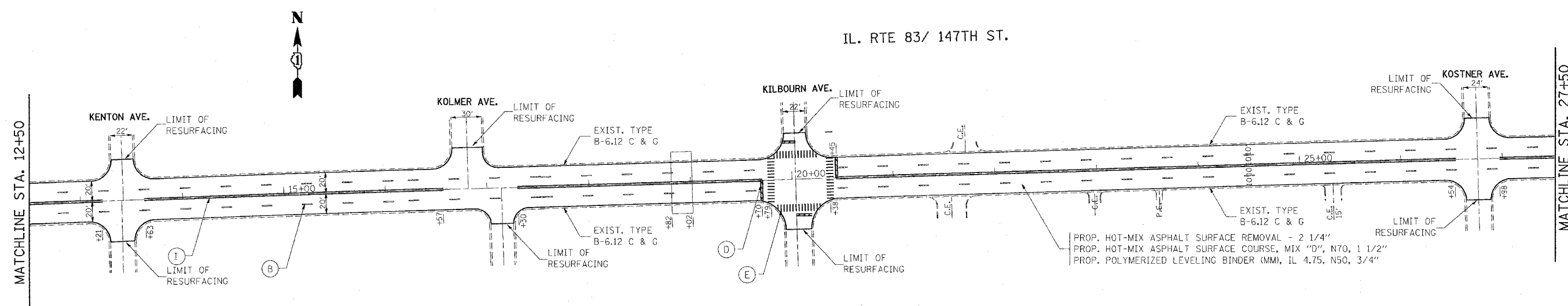
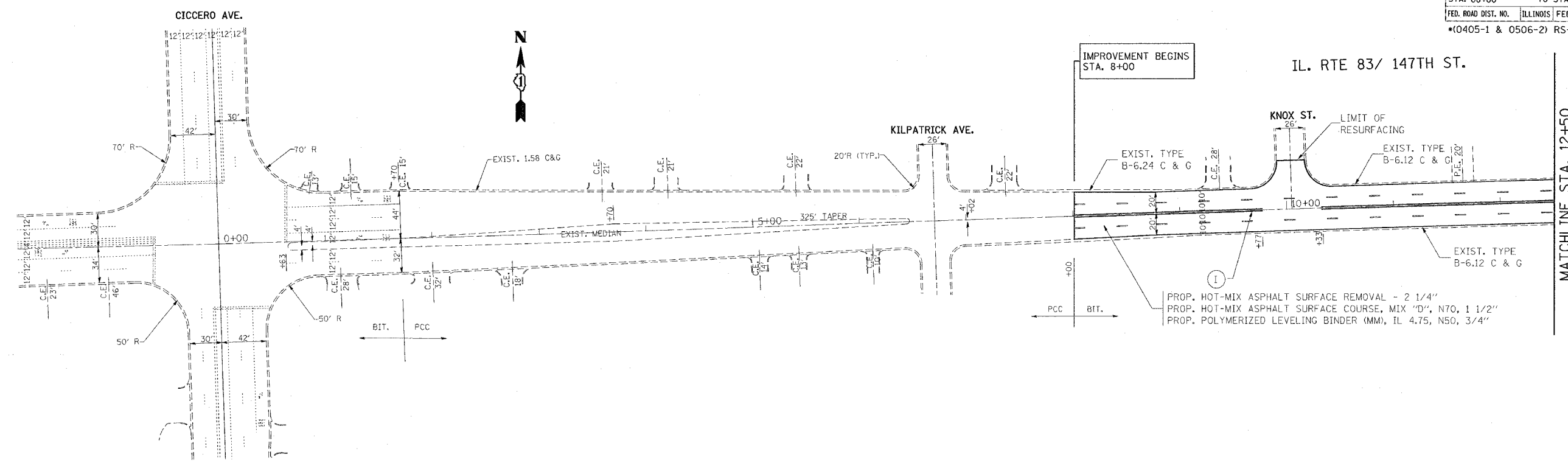


CONTRACT NO. 60B68			
F.A.U. RTE.	SECTION	COUNTY	TOTAL SHEET NO.
1602	*	COOK	38
STA. 08+00		TO STA. 27+50	
FED. ROAD DIST. NO.	ILLINOIS	FED. AID PROJECT	
* (0405-1 & 0506-2) RS-1			



- (A) 6" WHITE - TURN LANE LINE (TYP.)
- (B) 4" WHITE - SKIP-DASH CENTERLINE (TYP.) (10' LINE/30' SPACE)
- (C) 8" WHITE - LETTERS & SYMBOLS (TYP.) (LEFT TURN ONLY, RIGHT TURN ONLY)
- (D) 24" SOLID WHITE - STOP & TRANSVERSE LINES (TYP.)
- (E) 12" WHITE - CROSSWALK LINE (TYP.) (6' LINE/2' SPACE)
- (F) 12" WHITE - 45° DIAGONAL (75' C-C OR MINIMUM OF 5)
- (G) 4" YELLOW - MEDIAN EDGE LINE (TYP.)
- (H) 24" TRANSVERSE LINE - RAILROAD CROSSING (TYP.) 6' LETTERS FOR "RR"; 16" LINE FOR "X"
- (I) 4" YELLOW - DOUBLE YELLOW CENTERLINE (TYP.) (2 @ 11" C-C)
- (J) 6" WHITE - DOTTED LINE (TYP.) (2' LINE/6' SPACE)
- (K) 8" WHITE - SOLID LINE
- (L) 12" WHITE - CHEVRON LINE
- (M) 4" WHITE - SOLID LINE

REVISIONS	
NAME	DATE

ILLINOIS DEPARTMENT OF TRANSPORTATION
ROADWAY PLAN
ILL 83
(ILL 50 TO CLEVELAND AVE.)

SCALE: VERT. 1"=50'
 HORIZ. 1"=50'
 DATE 12/21/2006

DRAWN BY
 CHECKED BY

PLOT DATE = 12/21/2006
 FILE NAME = c:\p\projects\1131306\1131306.dgn
 PLOT SCALE = 50.0000 / IN.
 USER NAME = smshkl