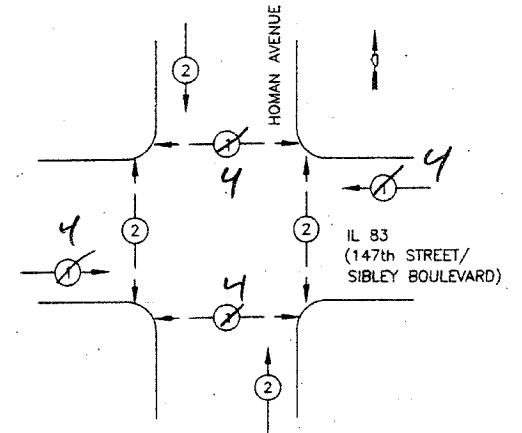


SECTION	COUNTY	TOTAL SHEETS	SHEET NO.
1602 *	Cook	38	17
STA. TO STA.		FED. ROAD DIST. NO. 1 ILLINOIS	
		FED. AID PROJECT	

* (0405-1 & 0506-2) RS-1

CONTROLLER SEQUENCE

REFERRING TO STANDARD 2393, THE VEHICULAR AND PEDESTRIAN PHASES USED ARE DESIGNATED BELOW.

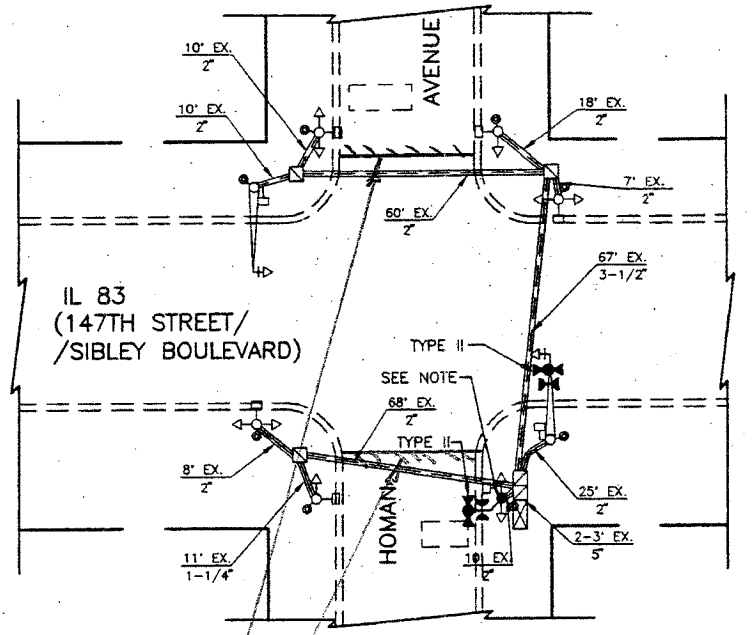


LEGEND

- DUAL ENTRY PHASE
- PEDESTRIAN MOVEMENT
- NUMBER REFERS TO ASSOCIATED PHASE

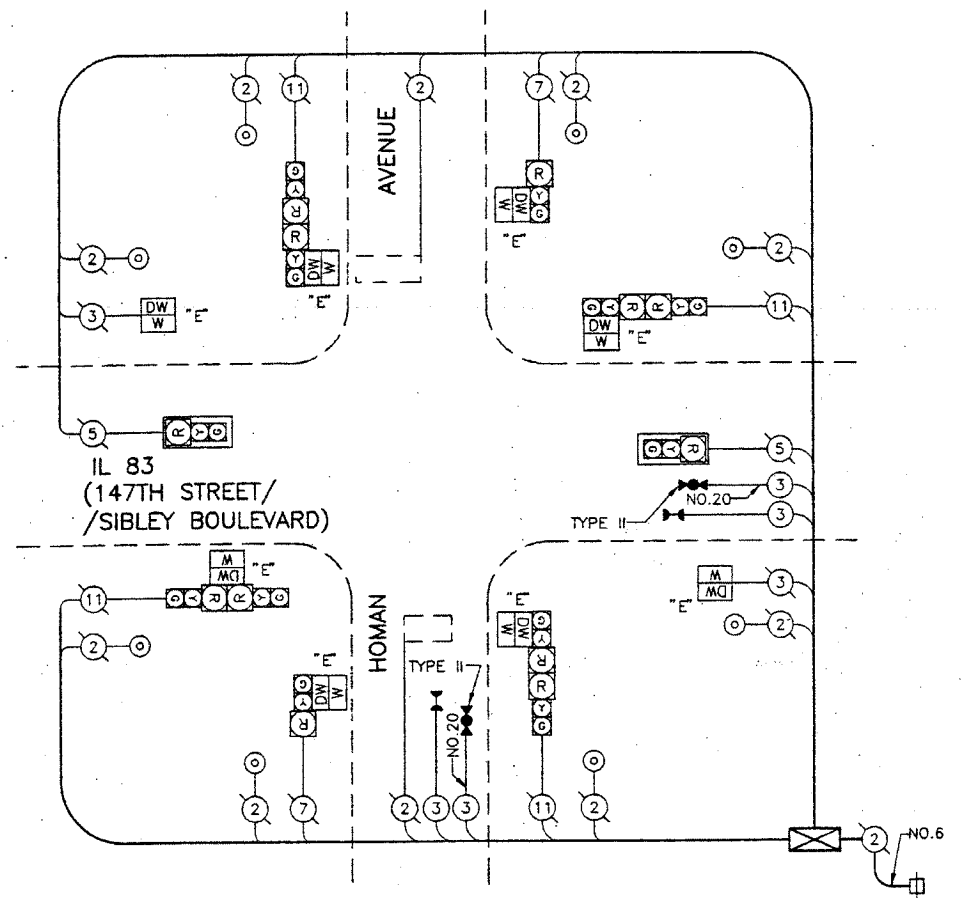
PHASE DESIGNATION DIAGRAM

- DUAL ENTRY - ALL LEGS
- PERMITTED LEFT TURN PHASING



TRAFFIC SIGNAL PLAN
SCALE 1" = 20'

NOTE:
LIMIT OF RESURFACING
MAY NOT AFFECT LOOP LOCATION
FIELD VERIFY PRIOR TO MILLING



NOTE:
THIS PLAN IS FOR THE PURPOSE OF REPLACING THE DETECTOR LOOPS ONLY. ALL OTHER INFORMATION SHOWN IS NOT RELATED AND WILL BE DISREGARDED.

REPLACE ALL DETECTOR LOOPS AS SHOWN

(WITHIN THE RESURFACING LIMITS)

CODE NO.	QUANTITY	UNIT	ITEM
86600600	- 0 -	Foot	Detector Loop Replacement

REVISIONS	
NAME	DATE

ILLINOIS DEPARTMENT OF TRANSPORTATION
DETECTOR LOOP REPLACEMENT
ILLINOIS ROUTE 83 @ HOMAN AVENUE
SCALE: NONE
DATE: OCTOBER 1906
DRAWN BY: J.H.E.
DESIGNED BY: J.H.E.
CHECKED BY: D.A.D.