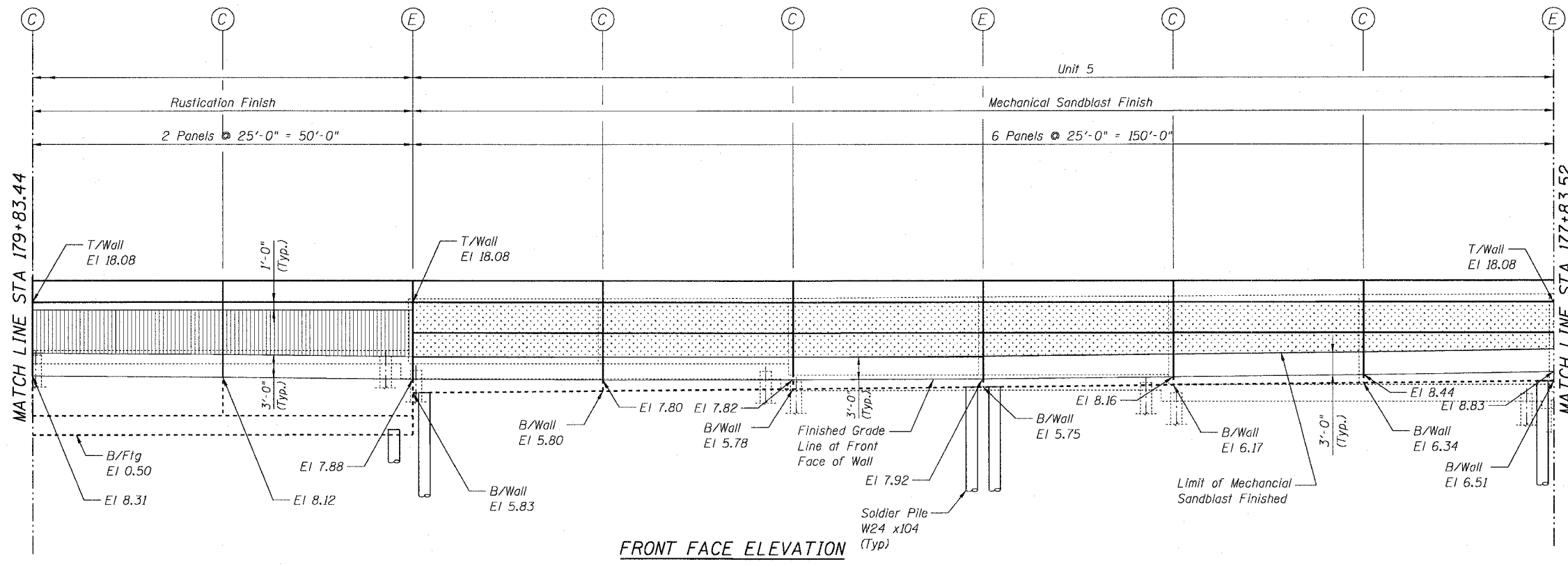
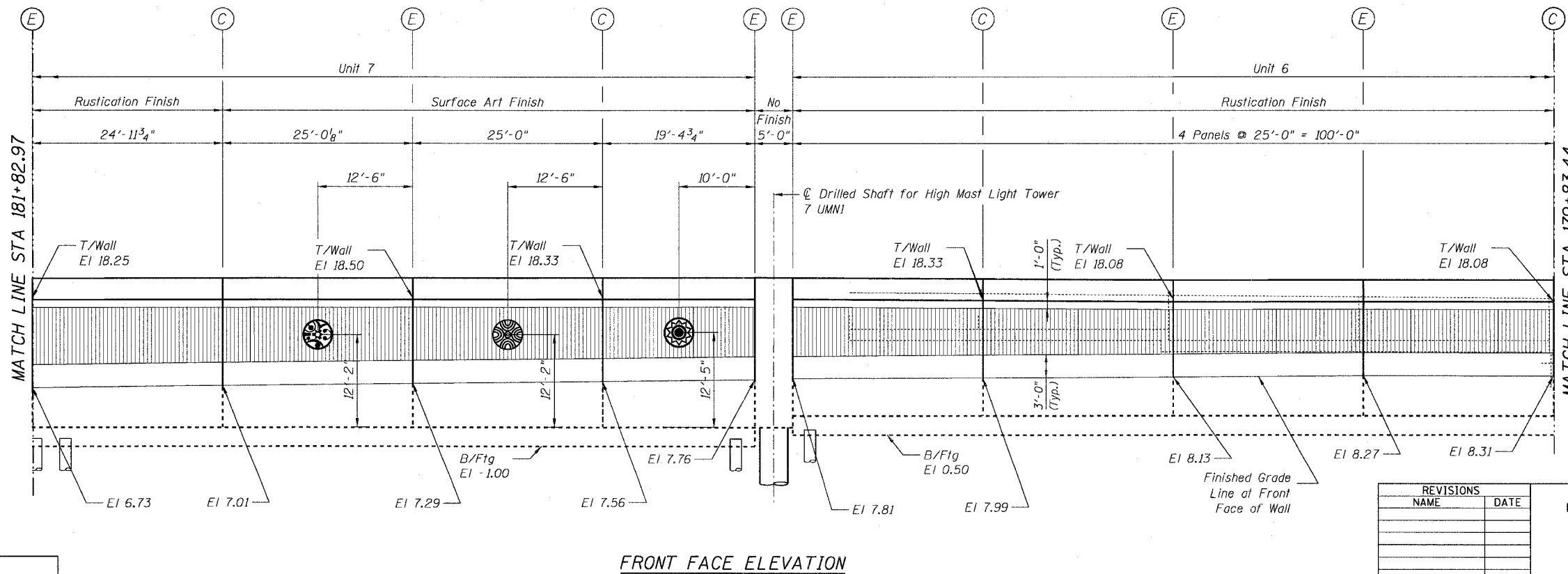


F.A.I. RTE.	SECTION	COUNTY	TOTAL SHEETS	SHEET NO.
90/94	2006-040 I	COOK	46	30
STA.	TO STA.			
FED. ROAD DIST. NO. 1	ILLINOIS	FED. AID PROJECT		

60C02



FRONT FACE ELEVATION



FRONT FACE ELEVATION

- NOTES:**
1. For Legend, See Previous Sheet.
 2. For Medallion Details, See Sheet MD1.

CTE | AECOM

REVISIONS	
NAME	DATE

Sheet 14 of 30
 ILLINOIS DEPARTMENT OF TRANSPORTATION
 F.A.I. 90/94 (DAN RYAN EXPRESSWAY)
 MEDALLION CONTRACT
 (59TH STREET TO 51ST STREET)
 SURFACE ART MEDALLION
 LOCATION PLANS
 SCALE: None
 DATE: OCTOBER 23, 2006
 DRAWN BY: MM
 CHECKED BY: LRL

P:\940466\ch\1\31\medallions\structure\101042.dwg 10/19/2006 02:58:17 PM